

MVW1 FOLDABLE WHEELCHAIR SCALE

Out-of-Box Usage with Foldable Handrail



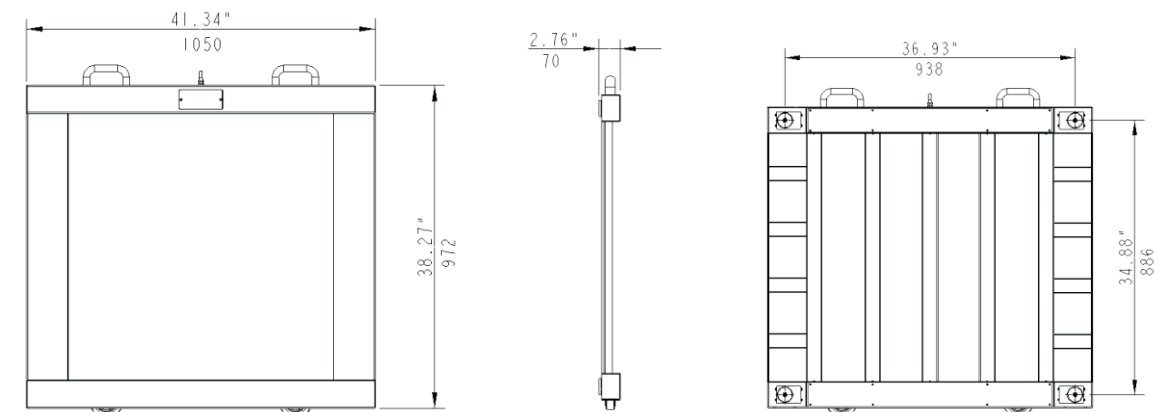
Features

- **Applications:** Families, hospitals, clinics and nurseries
- **Loadcell:** Four planar beam load cells, resolution up to 1/3000
- **Construction:** Heavy-duty power coated mild steel platform and handrail
Integrated with 2 ramps for chair convenient going up and down
Foldable handrail with hinge-up design for easy lying down or erecting
Built-in wheels and handles for smooth-running and fast mobility
- **Indicator:** ABS housing with bracket for vertically rotating
Large LCD display with backlit, clear to see in any angle of view
6 keys: ZERO/ON/OFF, TARE, UNIT, BMI, PRINT, HOLD
- **Functions:** Weighing, Hold, Tare, BMI, Print function

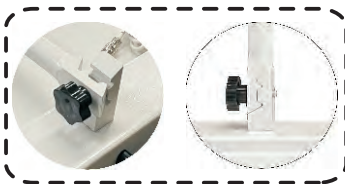
Specifications

Model	MVW1 Series
Capacity	1000lb x 0.5lb / 500kg x 0.2kg
Display Resolution	1:2000 / 1:2500
Weighing Units	lb / kg
Display	6 digits 1.5" (38mm) high, 7 segments LCD display with backlit
Zero Range	+/- 20% of full capacity
Tare Range	Full capacity
Stabilization Time	< 3 seconds
Operation Temp	32°F to 104°F (0 °C to 40 °C)
Humidity Range	< 80% relative humidity, non-condensing
Power	9V DC 600mA adapter or 6xAA batteries
Operating Time	Alkaline battery without backlight 66 hours
Interface	RS-232C, USB
Safe overload	150% of capacity
Platform size (L x W x H)	41.34" x 38.27" x 2.76" / 1050 x 972 x 70mm (with ramps)
Packing size (L x W x H)	49.6" x 47.2" x 6.3" / 1260 x 1200 x 160mm
Shipping Weight	Net weight 97lb/44kg, Gross weight 103lb/47kg
Approvals	CE and WEEE directive, UL/CE/BSMI Energy approved power adapter
Options	RS-232C cable, USB cable

Dimensions (mm/inch)



- Extremely low profile platform with built-in ramps for chairs or disable patients going up and down easily



- **Foldable handrail** for easy portability when moving the scale to another place



- 2 integrated carry handles and 2 rugged scuff-proof wheels allow the user to move the scale conveniently
- 4 adjustable feet for quick stability