



**Superior**  
FIREPLACES®  
*Our name is our promise.*

The DRT2000 Series offers excellent value without compromising on quality or design. These fireplaces offer an array of standard features, increased performance and state of the art technology to ensure many years of beauty and warmth.



**FEATURED** DRT2035 shown with Blended Brown Liner

## FEATURES

- 🔥 Available in 35", 40" and 45" models
- 🔥 Mid-size 17" depth saves installed floor space
- 🔥 Dedicated top or rear flue configuration (45" model is a combo top/rear)
- 🔥 Millivolt or Electronic ignition models available
- 🔥 Electronic ignition models include seamless battery backup and provides continued operation in the event of a power outage (IPI/CPI switch standard)
- 🔥 Outstanding heating efficiency for increased comfort and lower operating costs
- 🔥 Standard tempered glass and a protective screen\*
- 🔥 Detailed ceramic fiber log set
- 🔥 Black painted interior (optional liners available)
- 🔥 Optional blower and touch remote or hand-held remote control available for all models
- 🔥 Durable textured powder coat finish
- 🔥 20 year limited warranty

\*All applicable models comply with ANSI Z21.50/88 barrier requirements.



FEATURED DRT2040 shown with Blackstone Liner

### INTERIOR

Choose from four optional liners (Black Painted Interior is standard).



Porcelain Liner Kit (Black)



Blackstone



Greystone



Blended Brown

### ADDITIONAL OPTIONS

- Blower with multiple control options
- Hand-held Remote or Wall Mounted controls

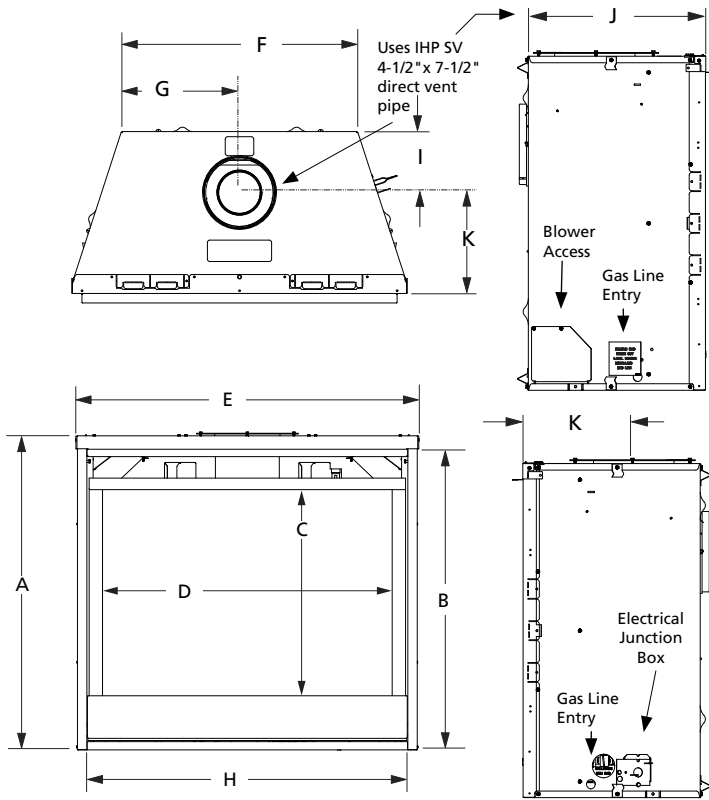


Thermostatic Remote (Optional)



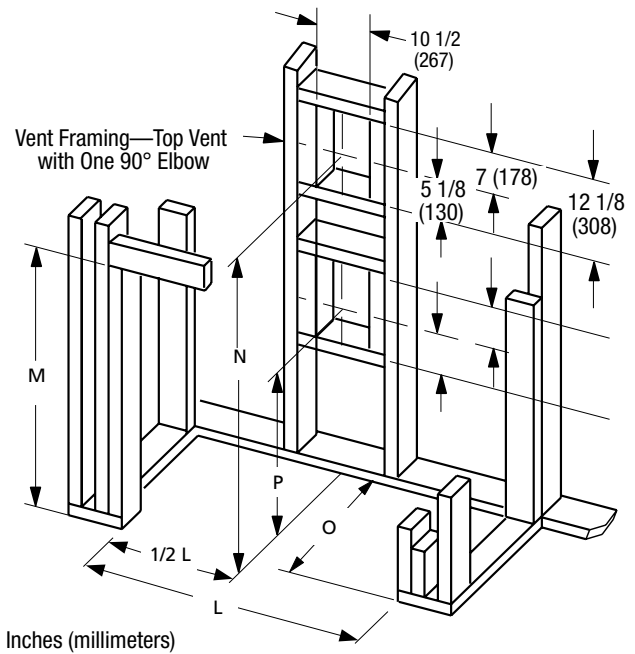
Hand-Held On/Off Remote (Optional)

## APPLIANCE SPECIFICATIONS



	DRT2035	DRT2040	DRT2045
A	32-1/8"	37-1/8"	37-1/8"
B	26-5/8"	34-5/8"	34-5/8"
C	19-1/2"	24-1/2"	24-1/2"
D	29-1/4"	34-1/4"	39-1/4"
E	35-1/4"	40-1/4"	45-1/4"
F	25"	30"	35"
G	12-1/2"	15"	17-1/2"
H	32-7/8"	37-7/8"	42-7/8"
I	6-7/8"	6-7/8"	6-7/8"
J	17"	17"	17"
K	10-1/8"	10-1/8"	10-1/8"

## FRAMING SPECIFICATIONS



	DRT2035	DRT2040	DRT2045
L	35-7/8"	40-7/8"	45-7/8"
M	36-1/4"	41-1/4"	41-1/4"
N	38-3/4"	43-3/4"	43-3/4"
O	18-1/2"	18-1/2"	18-1/2"
P	23-3/8"	28-1/4"	28-1/4"

## FIREPLACE EFFICIENCIES – Listed to ANSI Z21.88 as a gas fireplace heater.

MODEL	FUEL	BTU/HR	AFUE**	P4/ENERGUIDE*
DRT2035	NG	17,000	68.2%	64.6%
DRT2035	LP	17,000	67.9%	67.8%
DRT2040	NG	20,000	70.3%	62.4%
DRT2040	LP	18,500	71.5%	62.4%
DRT2045	NG	22,000	71.9%	62.7%
DRT2045	LP	21,000	71.8%	63.6%

\*Intermittent ignition systems. Millivolt/Electronic.

\*\*Annual Fuel Utilization Efficiency (AFUE) is the recognized U.S. rating system for the total efficiency of heating products.

### IMPORTANT NOTES:

As with any fireplace, this appliance is extremely hot during operation. Read and understand all operating instructions before using this appliance. For further information, consult your dealer.

Local conditions, such as elevation, wind, vent configuration and choice of fuel will affect overall appearance of the fire and heating performance. Performance can also vary with home design and insulation, climate, condition and type of fuel used, appliance location, burn rate, accessories chosen, chimney installation and how the appliance is operated.

Diagrams, illustrations and photographs are not to scale—consult installation instructions. Product designs, materials, dimensions, specifications, colors and prices are subject to change or discontinuance without notice.

On the cover: DRT2035 shown with Greystone Liner



© 2019 Innovative Hearth Products

785714M 03/19

Visit us online  
SuperiorFireplaces.us.com

