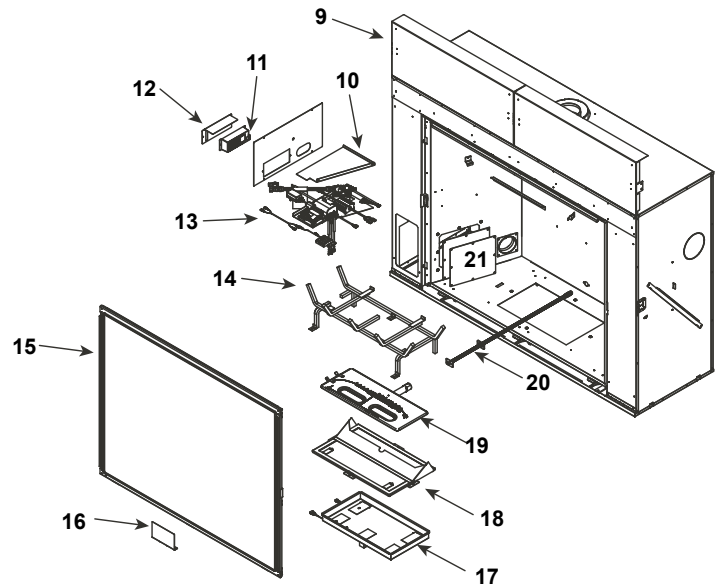


Log Set Assembly



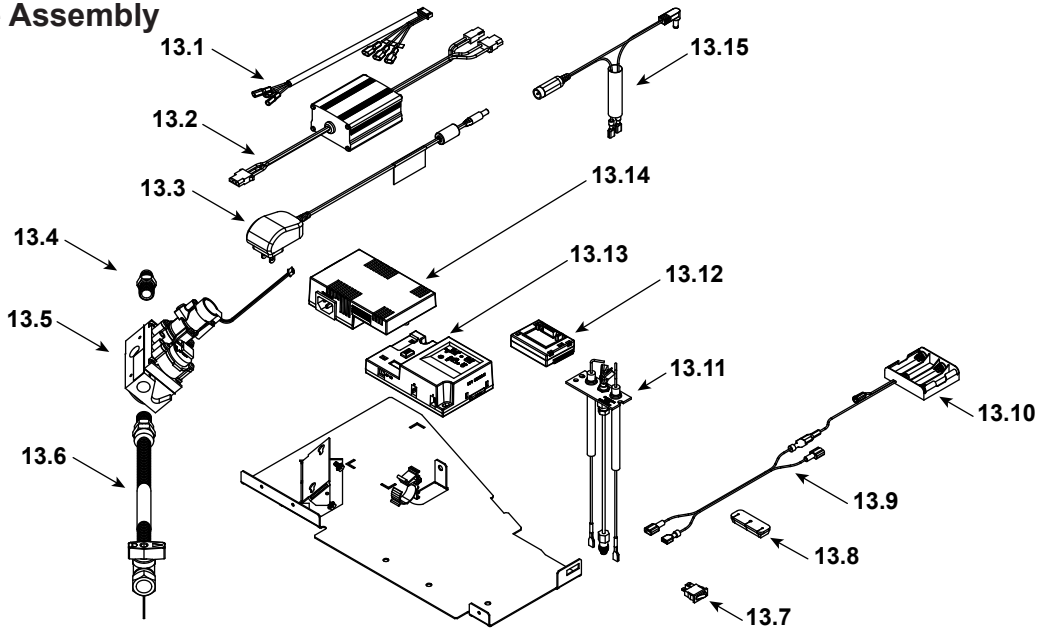
IMPORTANT: THIS IS DATED INFORMATION. Parts must be ordered from a dealer or distributor. **Hearth and Home Technologies does not sell directly to consumers.** Provide model number and serial number when requesting service parts from your dealer or distributor.



Stocked at Depot

ITEM	DESCRIPTION	COMMENTS	PART NUMBER	
	Log Assembly		LOGS-TRUE42-HD	Y
1	Log 1	Individual logs Pre LC6273997 no longer available, must order complete assembly	SRV2281-741	
2	Log 2		SRV2281-742	
3	Log 3		SRV2281-743	
4	Log 4		SRV2281-744	
5	Log 5		SRV2281-745	
6	Log 6		SRV2281-746	
7	Log 7		SRV2281-747	
8	Log 8		SRV2281-748	
9	Heat Shield, Header	Qty 2 req	2281-105	
10	Heat Shield, Valve		2281-153	
11	Junction box		SRV4021-013	Y
12	J-Box Bracket		2281-154	
13	Valve Assembly		Refer to Valve Page	
14	Grate Assembly		2281-015	
15	Glass Assembly		GLA-2281	
16	Finishing Spacer		2281-113	
17	LED Tub Assembly		2281-017	
18	Inner Glass Frame Assembly		2281-019	
19	Burner Assembly		2281-007	Y
20	Orifice Bracket Flex		2012-008	Y
21	Access Plate		2281-117	
	Cover, Rear Light	TRUE-42G-IFT Only	2462-168	

#13 Valve Assembly



IMPORTANT: THIS IS DATED INFORMATION. Parts must be ordered from a dealer or distributor. **Hearth and Home Technologies does not sell directly to consumers.** Provide model number and serial number when requesting service parts from your dealer or distributor.

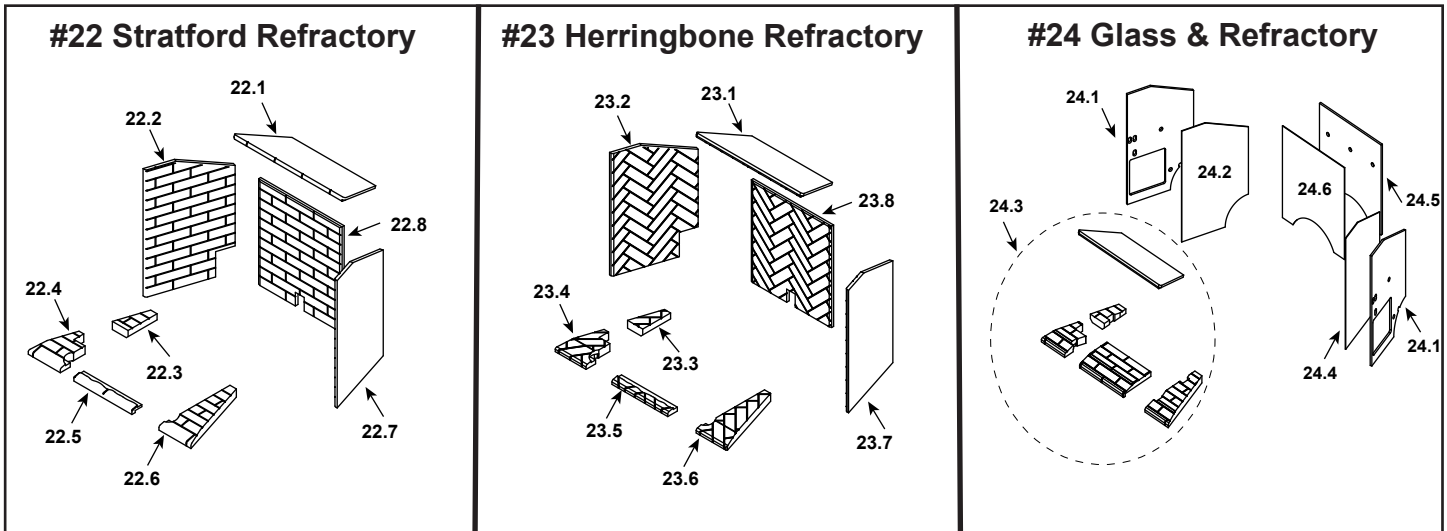


Stocked at Depot

ITEM	DESCRIPTION	COMMENTS	PART NUMBER	Stocked at Depot
13.1	Wire Harness		SRV2326-132	Y
13.2	Led Controller		2166-336	Y
13.3	Power Supply		SRV2326-131	Y
13.4	Male connector	Pkg of 5	303-315/5	Y
13.5	Valve NG		SRV2166-302	Y
	Valve Propane		2166-303	Y
13.6	Flex Ball Valve Assembly. 12"		SRV302-320	Y
13.7	Reset Switch	Pre LC5114352	SRV2206-299	Y
		Post LC5114352 / Propane Only	2206-298	Y
13.8	Grommet		SRV2118-420	
13.9	Wire, Battery jumper, 10 in		2281-196	Y
13.10	**Battery Pack		SRV2326-134	Y
13.11	Pilot Assembly, NG		2270-012	Y
13.12	Module, RF FCC		SRV2326-120	Y
13.13	Module, Control IFT		SRV2326-130	Y
13.14	Aux Module, B Type		SRV2326-150	Y
13.15	Reset Switch Wire	Propane Only	SRV2326-135	Y
	Cable, B Type AC Module		SRV2326-152	Y
	Orifice NG (#26C)		582-826	Y
	Orifice Propane (#45C)		SRV582-845	Y

**Fuse for battery pack can be sourced locally, not a warranty item. Specs are 250v, 3A fuse, 3/4" long

No one builds a better fire



IMPORTANT: THIS IS DATED INFORMATION. Parts must be ordered from a dealer or distributor. **Hearth and Home Technologies does not sell directly to consumers.** Provide model number and serial number when requesting service parts from your dealer or distributor.



Stocked at Depot

ITEM	DESCRIPTION	COMMENTS	PART NUMBER	
	Refractory, Stratford		TRUE-42S-IFT	
22.1	Refractory, Top		SRV2281-716	
22.2	Refractory, Left		SRV2281-713	
22.3	Refractory, Left Base		SRV2281-718	
22.4	Refractory, Left Base		SRV2281-711	
22.5	Refractory, Front Base		SRV2281-710	
22.6	Refractory, Right Base		SRV2281-712	
22.7	Refractory, Right		SRV2281-714	
22.8	Refractory, Back		SRV2281-715	
	Refractory, Herringbone		TRUE-42TG-IFT	TRUE-42H-IFT
23.1	Refractory, Top		SRV2439-716	SRV2281-726
23.2	Refractory, Left		SRV2439-713	SRV2281-723
23.3	Refractory, Left Base		SRV2439-718	SRV2281-728
23.4	Refractory, Left Base		SRV2439-711	SRV2281-721
23.5	Refractory, Front Base		SRV2439-710	SRV2281-720
23.6	Refractory, Right Base		SRV2439-712	SRV2281-722
23.7	Refractory, Right		SRV2439-714	SRV2281-724
23.8	Refractory, Back		SRV2439-715	SRV2281-725
	Refractory, Glass		TRUE-42G-IFT	
24.1	Glass Spacer	Qty 2 req	2271-753	
24.2	Magic Glass, Left		SRV2271-743	
24.3	Refractory Assembly, Black		SRV2462-058	
24.4	Magic Glass, Right		SRV2271-744	
24.5	Back Glass Spacer		2271-755	
24.6	Magic Glass, Back		SRV2271-745	
	Glass Refractory Cover	Qty 2 req	SRV2281-281	

Additional service parts on following page.

