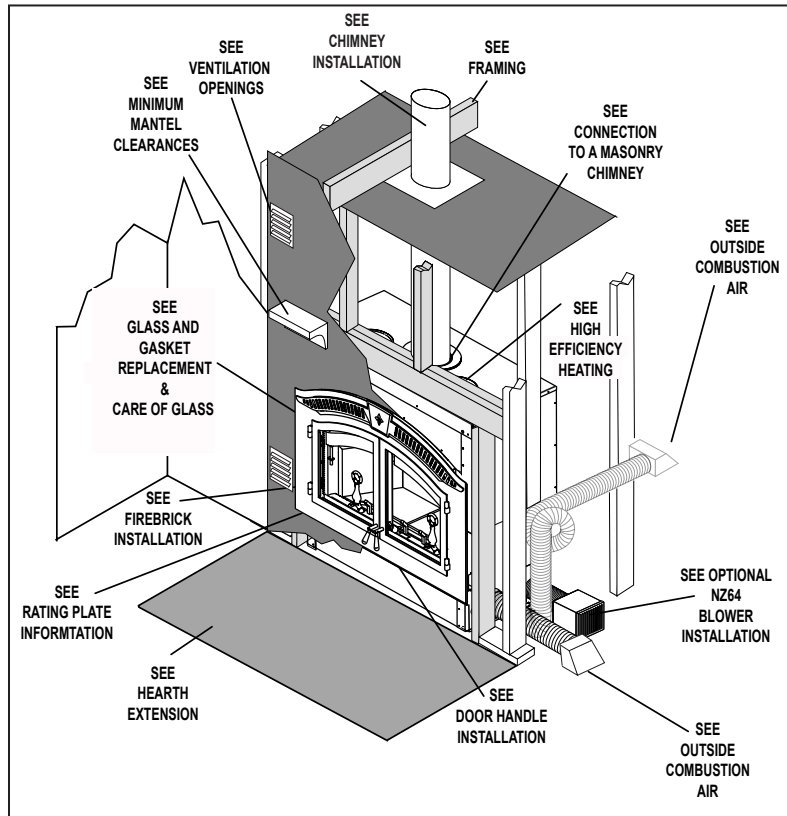


HIGH COUNTRY™ 6000 WOOD FIREPLACE

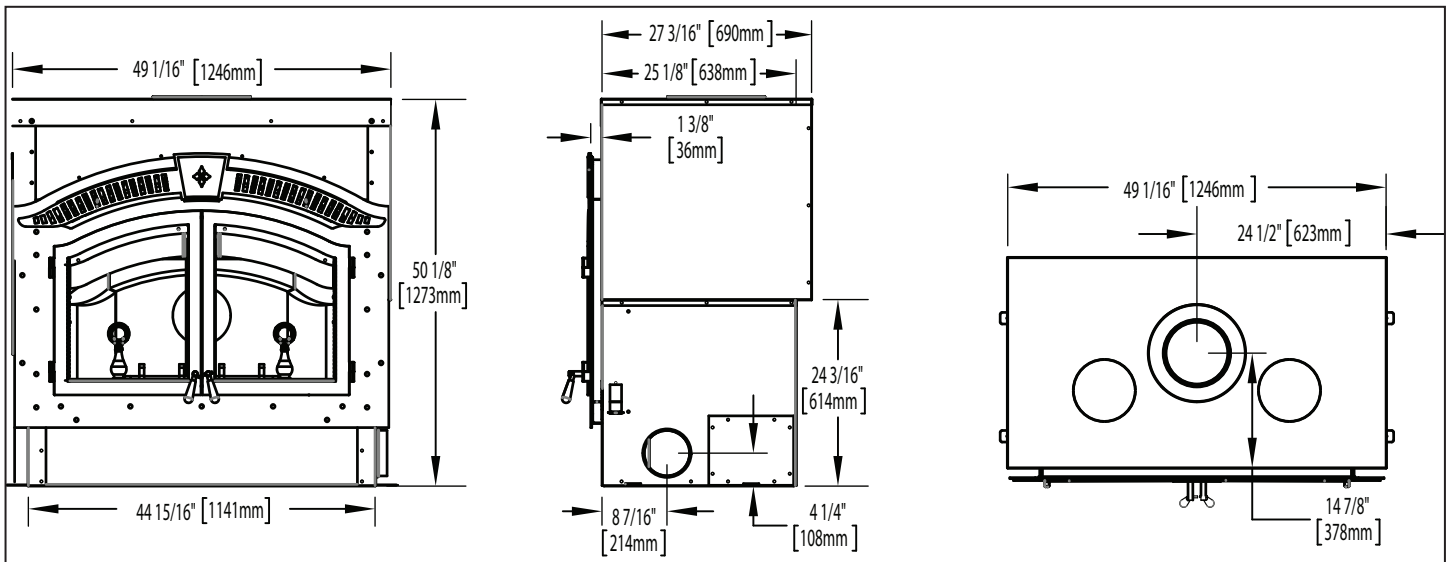
Specifications

Model	BTU	Width		Height		Depth		Glass
		Actual	Framing	Actual	Framing	Actual	Framing	
NZ6000	100,000	44 15/16"	50"	50 1/8"	51"	27 3/16"	31"	16 3/8" x 21 3/8"

Overview



Dimensions



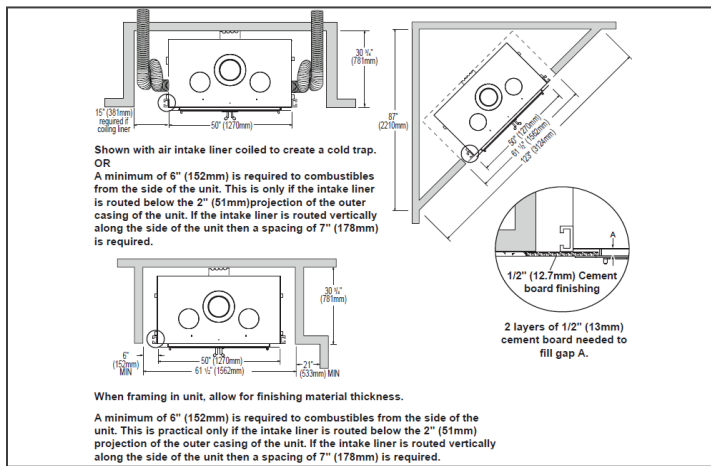
HIGH COUNTRY™ 6000 WOOD FIREPLACE

Framing & Clearances

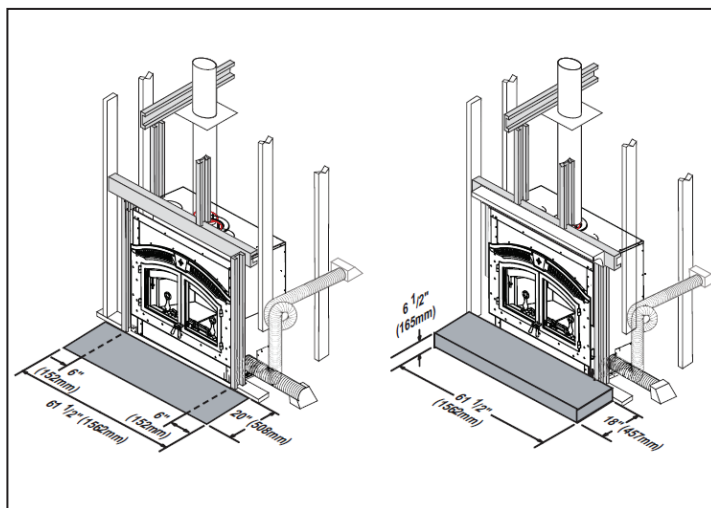
Minimum Fireplace Clearances

Framed Enclosure	
Rear	- 0" (0mm) to stand-offs (rear)
Sides	- 6" (152mm) to sides*
Ceiling (enclosure)	- 120" (3048mm) from the base of the appliance (unless shielded with metal studs and cement board)
Ceiling (in front of appliance)	- 84" (2134mm) from the base of the appliance
Chimney	- 2" (51mm) (follow manufacturers instructions)
Hot air Gravity Ductwork Insulation	- 1" (25mm)
Solid Pack Chimney	
Ceiling (enclosure)	- 120" (3048mm) from the base of the appliance (unless shielded with metal studs and cement board).
Air Cooled	
Ceiling (enclosure)	- 84" (2134mm) from the base of the appliance

Appliance Location

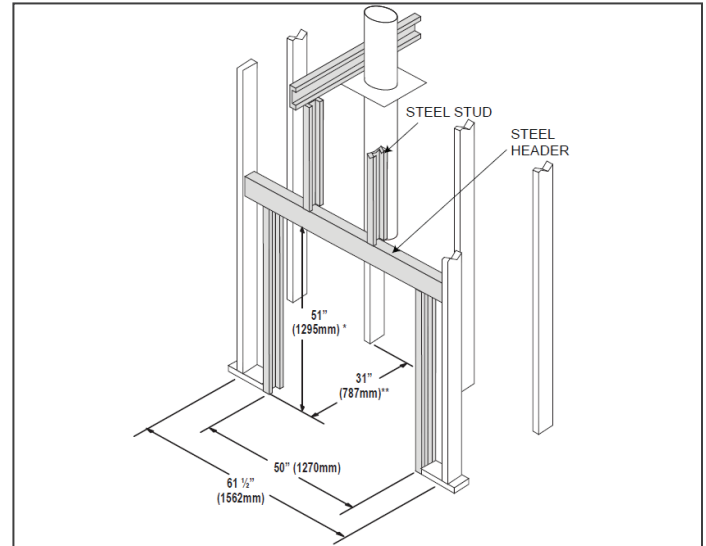


Hearth Extension

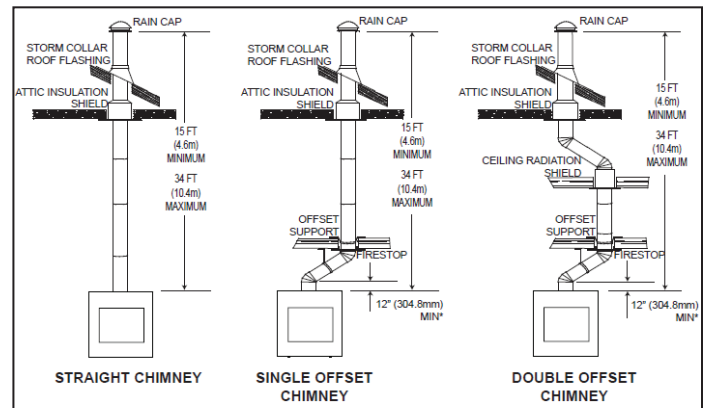


Product information provided is not complete and is subject to change without notice. Please consult the installation manual for the most up to date installation information.

Framing Dimensions



Typical Chimney Installation



Combustible Mantel Clearances

An optional combustible mantel must be a minimum of 12" (305mm) above the top of the faceplate and not to extend more than 2" (51mm) from the surface. See chart below for further information.

