



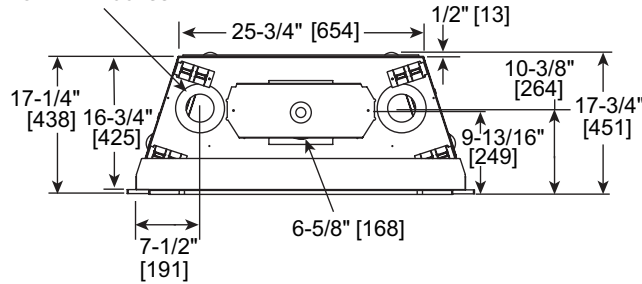
Please consult the manufacturer's installation manual for all details and requirements before making a final design layout decision.

COSMO 32

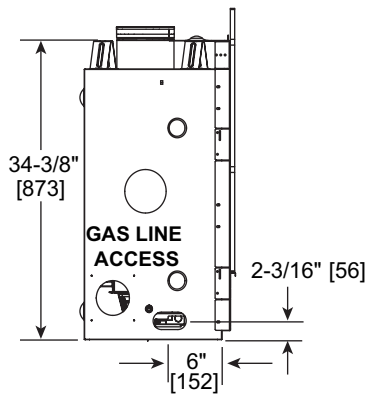
Direct Vent Gas Fireplace

MODEL	FRONT WIDTH		BACK WIDTH		HEIGHT		DEPTH		GLASS SIZE
	Actual	Framing	Actual	Framing	Actual	Framing	Actual	Framing	
COSMO32-IFT-B	36" [914]	37" [940]	25-3/4" [654]	37" [940]	38-1/16" [967]	36-1/2" [927]	17-3/4" [451]	17-3/4" [451]	27-1/4" x 15-1/4" [692 x 387]

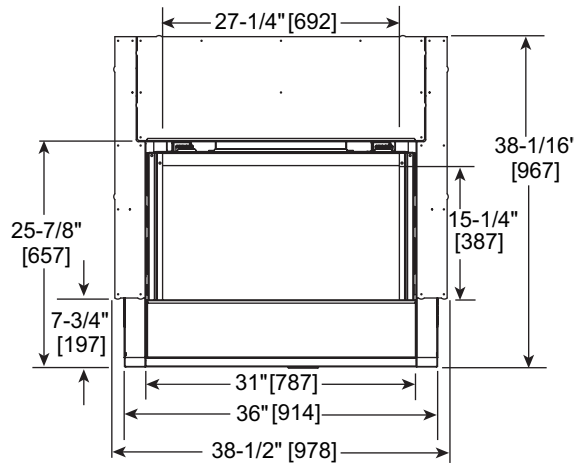
HEAT MANAGEMENT ACCESS



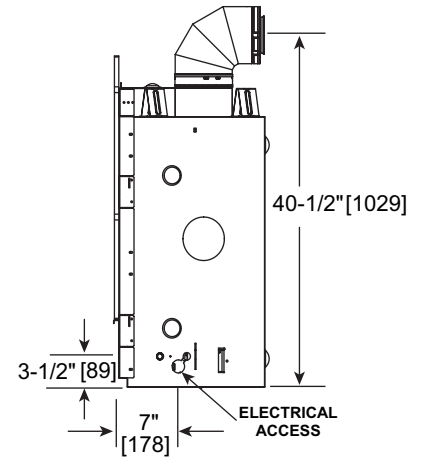
TOP VIEW



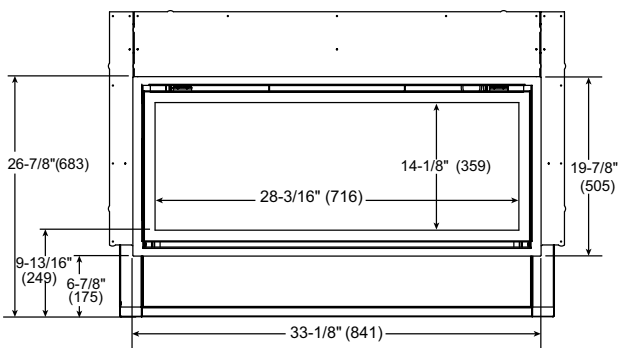
LEFT SIDE VIEW



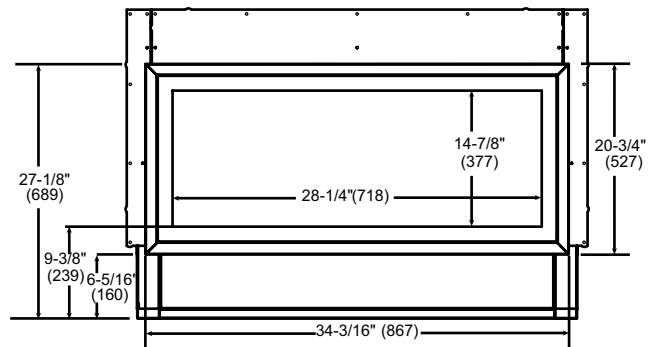
FRONT VIEW



RIGHT SIDE VIEW

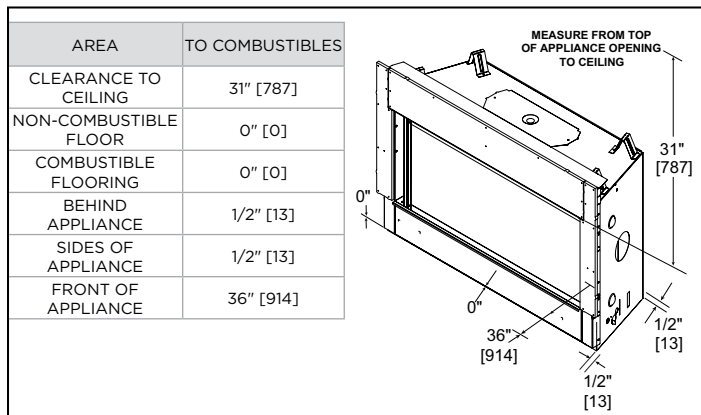


CLEAN FACE TRIM

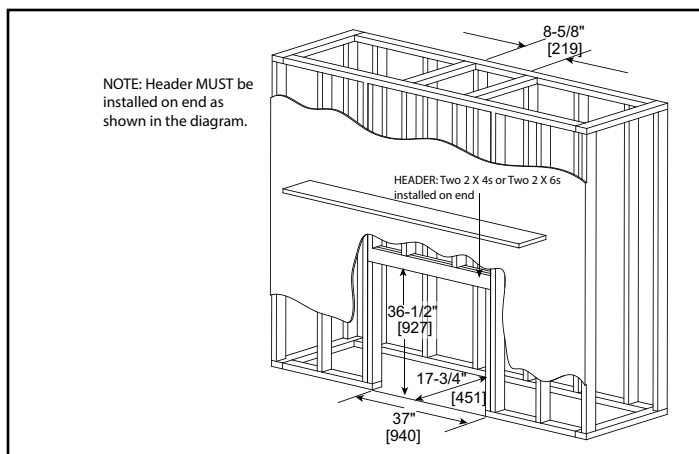


MARTINI FRONT

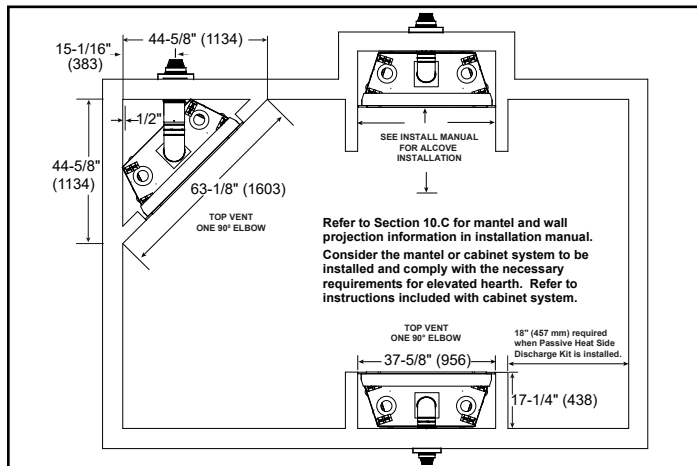
MINIMUM FIREPLACE CLEARANCES / CLEARANCES TO COMBUSTIBLES



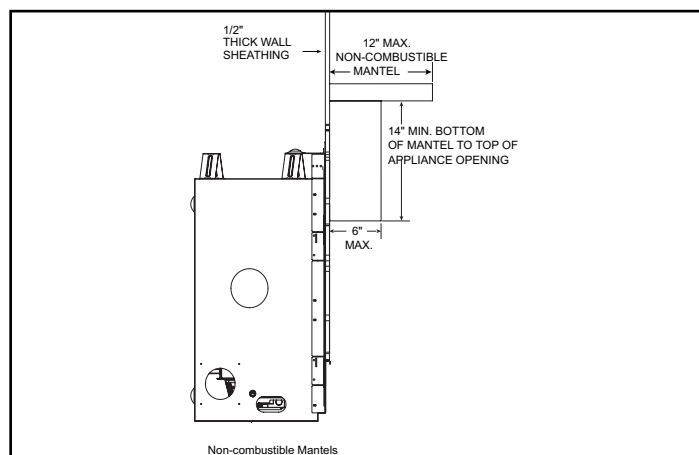
MINIMUM FRAMING DIMENSIONS



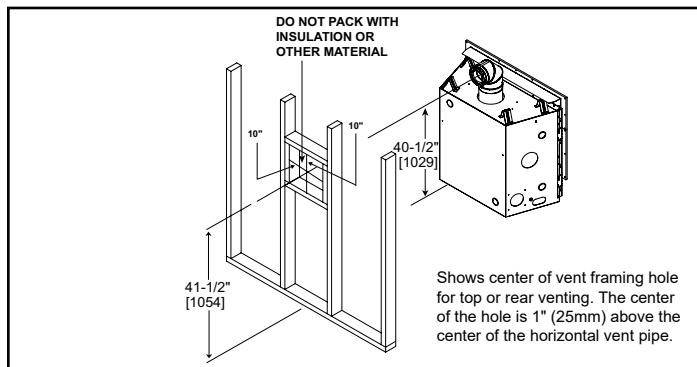
APPLIANCE LOCATION



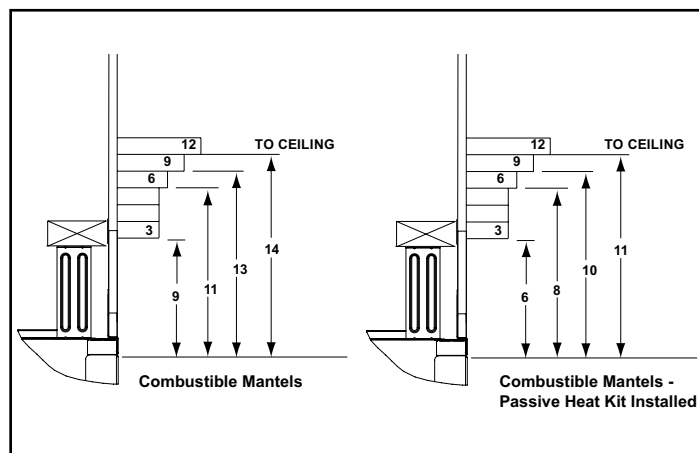
NON-COMBUSTIBLE MANTEL PROJECTIONS (or other materials above appliance)



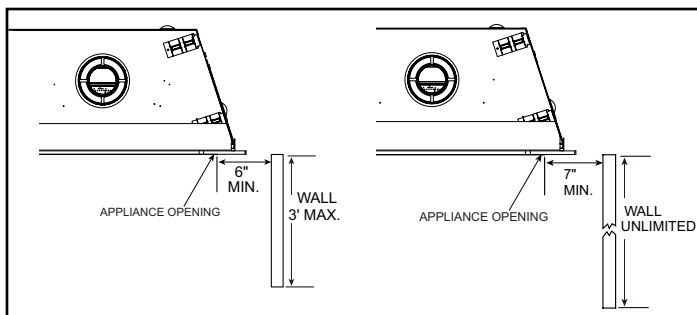
WALL PENETRATION



MANTEL PROJECTIONS (or other materials above appliance)



MANTEL LEG/WALL PROJECTIONS (acceptable on both sides of appliance)



PRODUCT LISTING CODES	
US	ANSI Z21.88-2017
CAN	CSA 2.33-2017
US LISTED	UL307B

Product information provided is not complete and is subject to change without notice. Product installation must adhere strictly to instructions accompanying product to avoid risk of fire and potential injury.

Additional information can be found online at www.heatnglo.com