

**Superior**  
FIREPLACES®  
*Our name is our promise.*



The DRL2000 Series linear direct vent gas fireplace offers a clean faced, low profile design that is just right for contemporary and transitional spaces. Its sleek opening provides an exceptional view of the gently dancing flames rising through the beautiful reflective black glass floor media. Reflective black porcelain interior liner, heat circulating blower, remote and wall controls are available as optional accessories, making the DRL2000 Series a smart choice.



**FEATURED** DRL2035 with reflective black crushed glass media

## FEATURES

- 🔥 Available in a 35", 45", and 55" linear configured models
- 🔥 Electronic ignition with battery backup provides continued operation in the event of a power outage
- 🔥 Clean-face design with integrated tile stops for easy finishing
- 🔥 Decorative surrounds available to complement drywall finished applications
- 🔥 Outstanding heating efficiency for increased comfort and lower operating costs
- 🔥 Standard tempered glass and a protective screen\*
- 🔥 Reflective black crushed glass media included with several optional colors available to customize the look
- 🔥 Optional driftwood logs and river rocks are a perfect addition for a transitional design
- 🔥 Black painted interior (optional porcelain liner available)
- 🔥 Optional blower and hand-held remote controls available for all models
- 🔥 Durable textured powder coat finish
- 🔥 20 year limited warranty

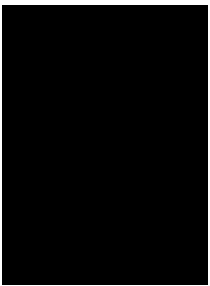
\*All applicable models comply with ANSI Z21.50/88 barrier requirements.



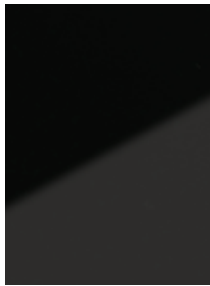


FEATURED DRL2055 with optional black porcelain liner

## INTERIOR



Black Painted Liner  
(Standard)

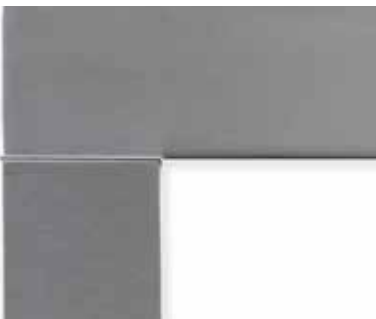


Black Porcelain Liner  
(Optional)

## DECORATIVE SURROUNDS



Black Surround



Stainless Surround

## MEDIA



Reflective Black  
Crushed Glass  
(Standard)



Platinum  
Crushed Glass



Reflective Blue  
Crushed Glass



Copper  
Crushed Glass

## ACCESSORIES



High-Definition Driftwood  
Log Set for 55" Models



High-Definition Driftwood  
Log Set for 45" Models



High-Definition Driftwood  
Log Set for 35" Models



River Rock Assorted Set

## CONTROL

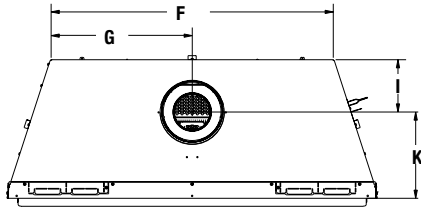


Thermostatic  
Remote  
(Optional)

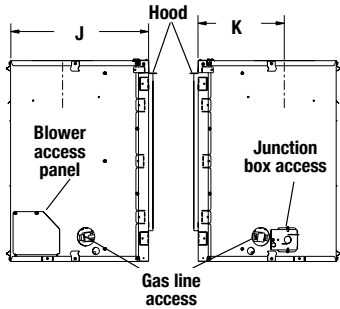
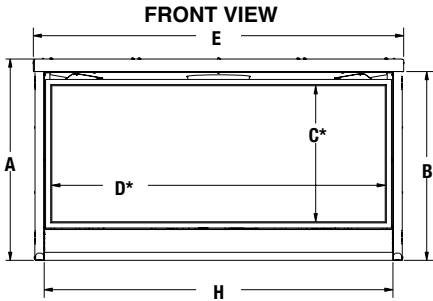


Hand-Held  
On/Off  
Remote  
(Optional)

## APPLIANCE SPECIFICATIONS



\* C and D are viewing area dimensions



LEFT SIDE VIEW

RIGHT SIDE VIEW

	DRL2035	DRL2045	DRL2055
A	24-3/4"	24-3/4"	24-3/4"
B	23-1/4"	23-1/4"	23-1/4"
C	16-3/4"	16-3/4"	16-3/4"
D	30"	40"	50"
E	35-1/2"	45-1/2"	55-1/2"
F	24-3/4"	34-3/4"	44-3/4"
G	12-3/8"	17-3/8"	22-3/8"
H	32-7/8"	42-7/8"	52-7/8"
I	6-1/2"	6-1/2"	6-1/2"
J	17"	17"	17"
K	10-5/8"	10-5/8"	10-5/8"

## FIREPLACE BTU OPERATING RANGE

MODEL	FUEL	BTU/HR	AFUE	P4
DRL2035	NG	15,000-13,000	68.9	63.6
DRL2035	LP	14,000-12,000	53.7	62.8
DRL2045	NG	18,000-14,000	70.7	67.1
DRL2045	LP	16,000-13,000	56.6	64.5
DRL2055	NG	23,000-19,000	69.4	62.7
DRL2055	LP	21,000-17,000	64.8	64.4

### IMPORTANT NOTES:

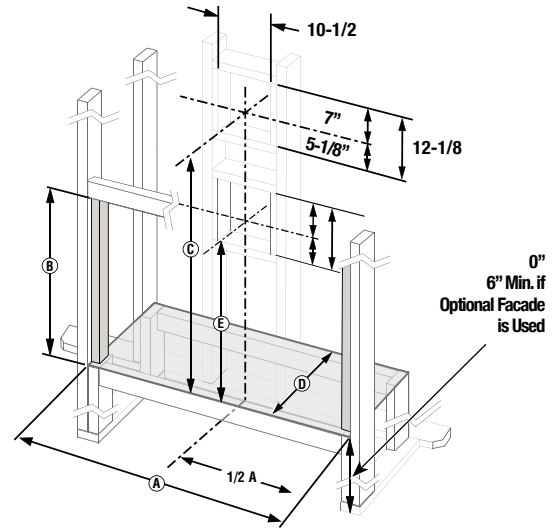
As with any fireplace, this appliance is extremely hot during operation. Read and understand all operating instructions before using this appliance. For further information, consult your dealer. Local conditions, such as elevation and choice of fuel will affect overall appearance of the fire and heating performance. Performance can also vary with home design and insulation, ceiling height, accessories chosen and appliance location. Diagrams, illustrations and photographs are not to scale — consult installation instructions. Product designs, materials, dimensions, specifications, colors and prices are subject to change or discontinuance without notice.



© 2020 Innovative Hearth Products  
785726M 03/20

Visit us online  
SuperiorFireplaces.us.com

## FRAMING SPECIFICATIONS



MODEL	A	B	C	D	E
DRL2035	35-7/8"	29"	42"	18"	31-1/2"
DRL2045	45-7/8"	29"	42"	18"	31-1/2"
DRL2055	55-7/8"	29"	42"	18"	N/A

C = Height for installations with 12" section directly off unit then elbow

D = for flush framing.

E = Height for installations with elbow directly off unit (see note below)

\* Minimum opening size; additional 1/8" per side is recommended.

NOTE: Framing specifications do NOT apply for flexible venting. When using flexible venting, refer to the kit requirements for framing specifications.

NOTE: 35" & 45" model = Strongly recommend at least 1 ft of vertical rise directly off top of unit.

55" = 1 ft of vertical rise is required directly off unit.

**On the Cover:** DRL2055 fireplace with reflective black crushed glass media

