

KEGNADOTM

keg stirrer

Owner's Guide

Original KegnadoTM & KegnadoTM Go Kit

Atlas Diversified Products Corp.

400 Business Centre Drive, Suite 11

Lansing, MI 48917

833-KEGNADO







kegnado.com

V. 001 9/2023

Patent Pending. © 2023 Atlas Diversified Products Corporation. All rights reserved.

IMPORTANT SAFETY INSTRUCTIONS

PLEASE READ CAREFULLY BEFORE USE

	Read and review instructions for operation and use.
	Indicates that injury or property damage may occur if the warning included with this symbol is ignored.
	Intended only for the use of mixing beverages.
	DO NOT SUBMERGE OR SPRAY MOTOR BOX OR POWER SUPPLY WITH WATER.
	ALWAYS DEPRESSURIZE KEG before removing Kegnado™ from the keg.
	WARNING: MOVING PARTS. Keep hands, hair, and clothing away during use.

When using electrical appliances, basic safety precautions should always be followed, including the following:

WARNING

To reduce the risk of injury, fire, electrical shock or property damage, basic safety precautions must always be followed, including the following warnings and subsequent instructions. Do not use Kegnado™ for other than intended use.

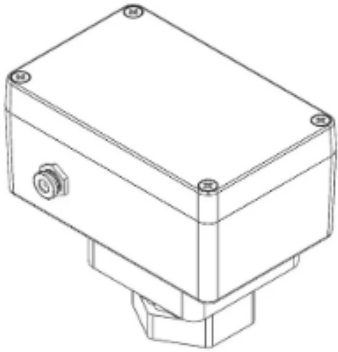
1. Read all instructions prior to using Kegnado™.
2. Carefully observe and follow all warnings and instructions. This unit contains electrical connections and moving parts that potentially present risk to the user.
3. Kegnado™ should only be used by individuals aged 15 or older.
4. **ALWAYS** exercise care when assembling, cleaning, connecting and disconnecting Kegnado™.
5. **DEPRESSURIZE** keg before removing Kegnado™ to avoid the risk of injury and property damage.
6. **DO NOT SUBMERGE** or attempt to wash the *motor box* or any electrical components or accessories. **DO NOT SPRAY** water or cleaning solution around the *motor box* or any electrical components to avoid the risk of injury or product damage. **DO NOT** allow the *power supply* to contact any form of liquid to avoid the risk of injury or property damage.
7. **ONLY** the *lid assembly, dip tube, blades, and shaft assembly* are dishwasher safe. Do not wash the *motor box* or any electrical components.
8. Unplug Kegnado™ from the outlet when not in use, before assembling or disassembling parts, and before cleaning. To unplug, grasp the body of the power supply cord and gently disconnect it from the motor box. **NEVER** unplug by grasping and pulling the flexible cord.

9. Before use, wash all parts that may contact the beverage. Follow washing instructions as dictated by federal, state, tribal and local food safety authorities. Do not wash the *motor box* or *power supply*.
10. **DO NOT** operate any appliance with a damaged cord or plug, or after the appliance malfunctions or is damaged in any manner. If damaged, contact Kegnado™ for servicing.
11. **DO NOT TAMPER WITH MOTOR BOX.** If the device needs servicing or repair, contact Kegnado™.
12. During operation and handling of the appliance, avoid contact with moving parts.
13. **NEVER** operate the appliance without the *lid* in place. There are moving parts which could cause injury or property damage with improper use. Ensure the *keg, lid assembly, motor box, locking pin, blades, and shaft assembly* are properly installed before plugging into power for operation.
14. **ALWAYS** follow keg manufacturer instructions regarding the use, cleaning, pressurization, and any other warnings.
15. **DO NOT** attempt to remove any part of Kegnado™ or the *lid* while the *shaft assembly* is still spinning. Allow the appliance to come to a complete stop before depressurizing.
16. **DO NOT** remove Kegnado™ until the keg has been properly depressurized.
17. **DO NOT ATTEMPT** to refill the keg while the appliance is in use.
18. **ALWAYS** use the power supply provided with your Kegnado™. **DO NOT** use an alternate power source.

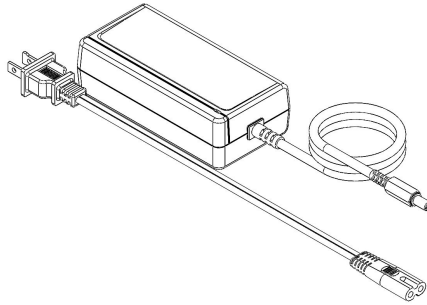
PARTS

READ ALL WARNINGS PRIOR TO USE

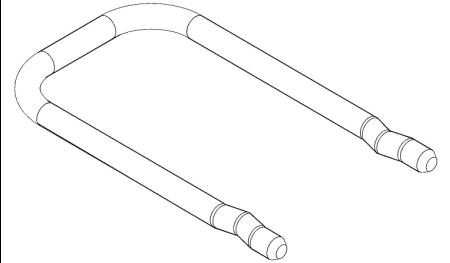
A Motor Box



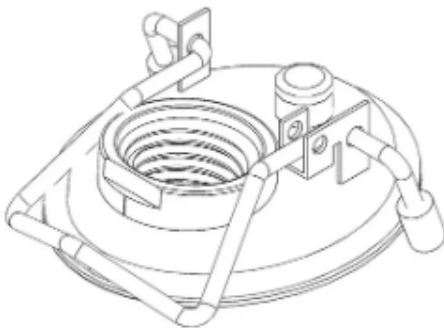
B Power Supply



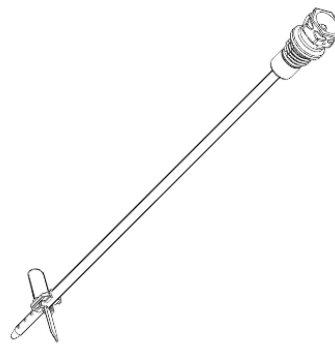
C Motor Locking Pin



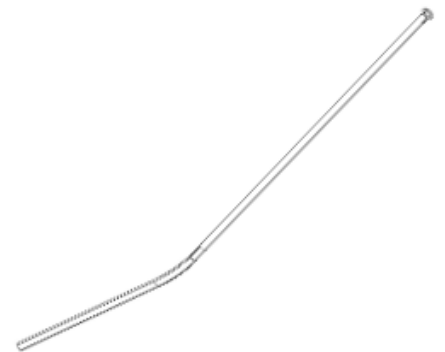
D Lid Assembly



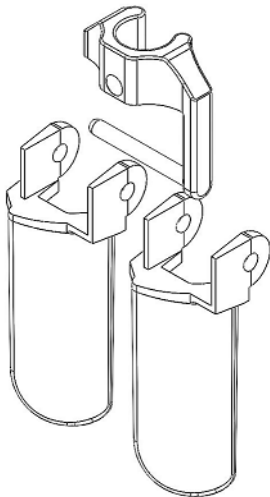
E Shaft Assembly



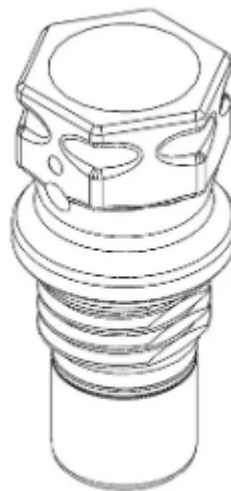
F Dip Tube



G Spare Blades Kit



H Plug



I Keg



PARTS

- A Motor Box
- B Power Supply (110VAC to 24VDC)
- C Motor Locking Pins (2 included)
- D Lid Assembly
- E Shaft Assembly
- F Dip Tube
- G Spare Blades Kit
- H Plug (Included in Kegnado™ Go Kit)
- I Keg (Included in Kegnado™ Go Kit)

To purchase more accessories and find great recipes, visit kegnado.com

BEFORE FIRST USE

READ ALL WARNINGS PRIOR TO USE

NOTE	All attachments are BPA free and dishwasher safe. Ensure the <i>shaft assembly</i> has been removed from the <i>motor box</i> before placing it in the dishwasher.
-------------	--

1. Remove all packing materials from the unit.
2. **To avoid risk of injury and property damage, DO NOT submerge or spray the *motor box* or *power supply* with water.**
3. Thoroughly wash, rinse and sanitize all parts, following standard commercial cleaning procedures. Always follow your federal, state, tribal and local laws.
4. Kegnado™ Go Kit: Wash, rinse and sanitize the keg per manufacturer's instructions; wash, rinse and sanitize the *plug*, all in accordance with federal, state, tribal and local food authority laws.

SETTING UP ORIGINAL KEGNADO

READ ALL WARNINGS PRIOR TO USE

TIP

This step applies **ONLY** to **Original Kegnado™** devices being fitted to your existing kegs. This step does **NOT** apply to **Kegnado™ Go Kit**, as they are already properly fitted. If you are setting up your **Kegnado™ Go Kit**, please proceed to the next section.

Kegnado™ is designed for use with 5 and 10 gallon Cornelius™ style kegs. Kegnado™ is not currently compatible with racetrack style kegs. Due to varying styles, you will need to determine if each keg requires the modified dip tube provided, and the ideal blade height for each keg.

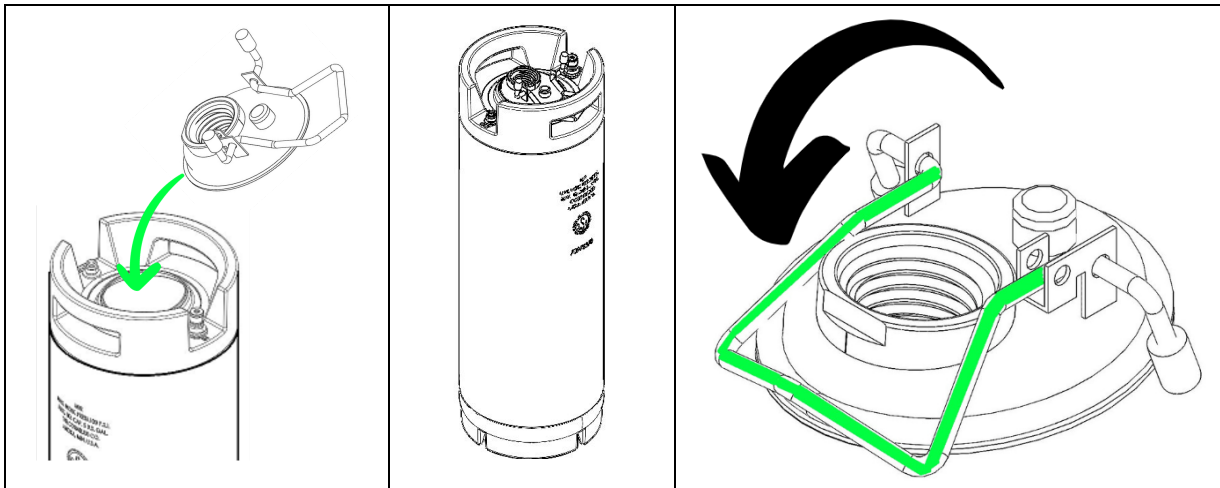


WARNING: MOVING PARTS

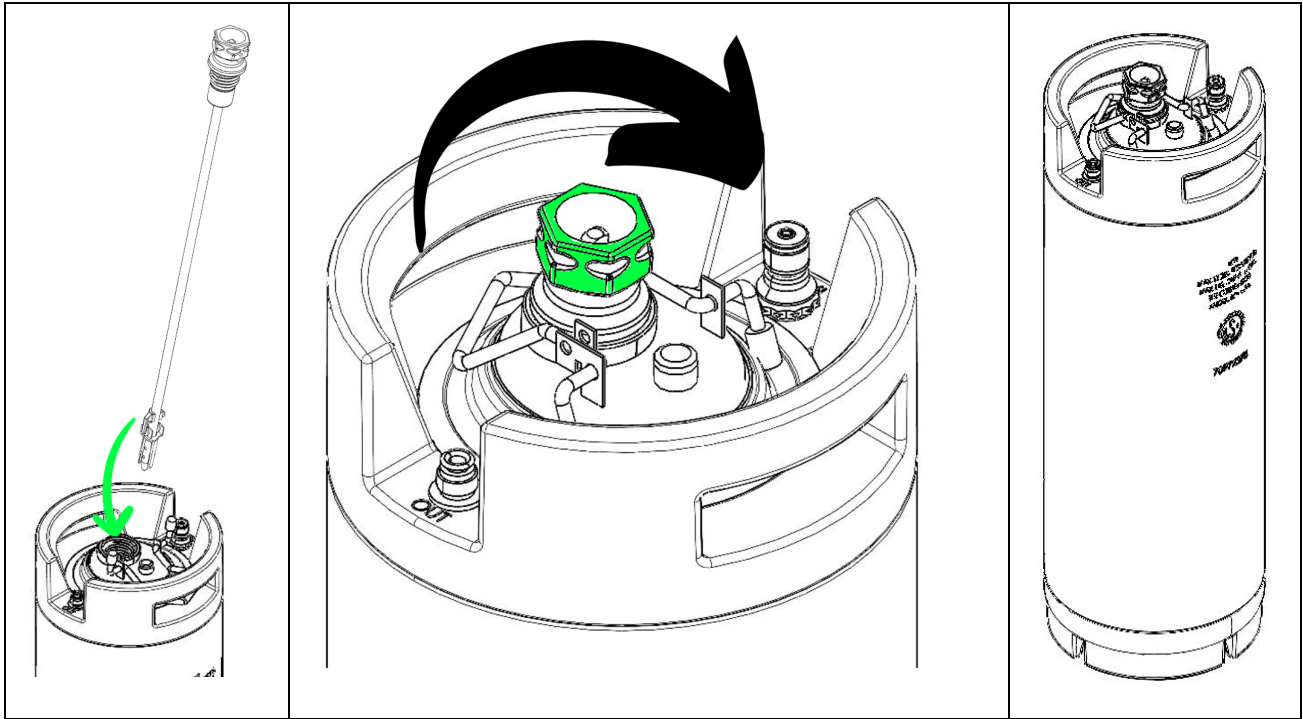
DO NOT plug the *power supply* into the *motor box* while assembling Kegnado™. To turn Kegnado™ ON and OFF, simply unplug the *power supply* from the *motor box*. If Kegnado™ is plugged into power prior to keg installation, parts will begin spinning. Doing so may risk injury or property damage. Connecting Kegnado™ to power is **ALWAYS** the last step.

HOW TO DETERMINE BLADE HEIGHT & DIP TUBE

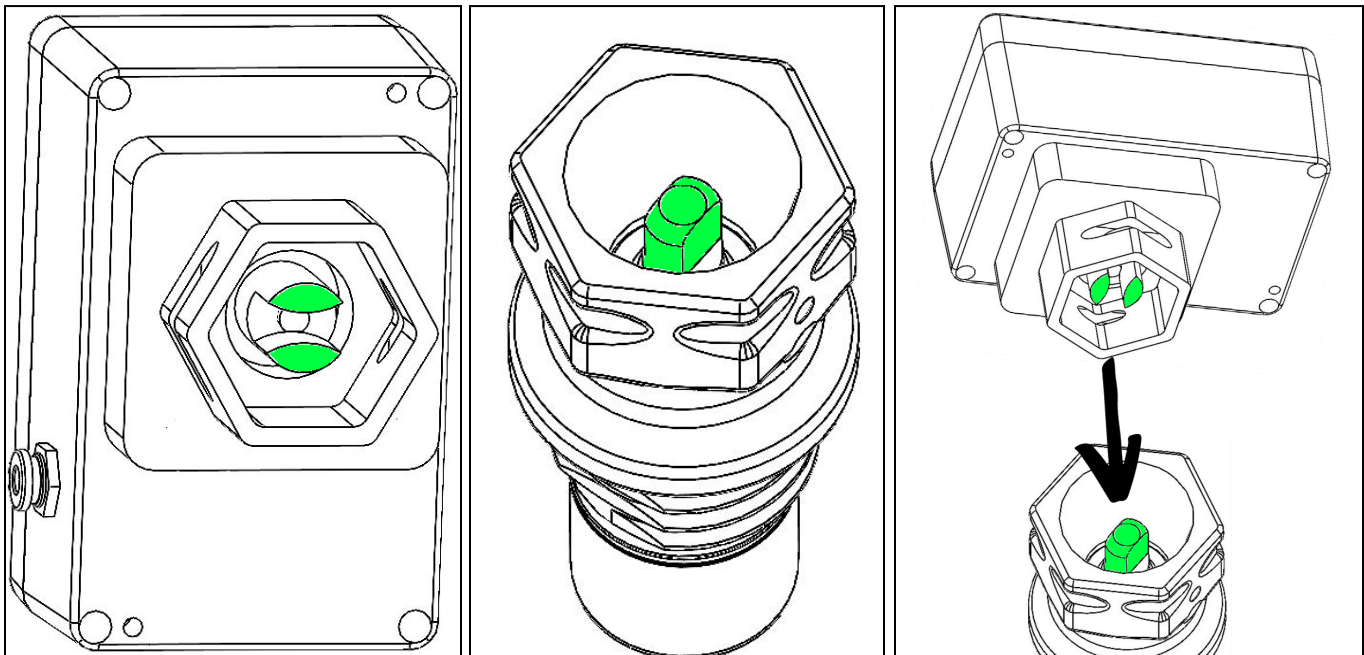
1. Place the keg on a stable, level surface with its standard dip tube installed.
2. Fill the keg approximately halfway with water. This will ensure the blades will expand properly when stirring.
3. Install one *blade kit* on the *shaft assembly* using the lowest possible hole. Slide the clip through the holes in the *blades* and *shafts* until you hear a snap/click to indicate they are connected. The *blades* should face down, away from the *motor*.
4. Install the *lid assembly* in the keg and flip the handle to secure it in place. The lid should be level and fully sealed when secured.



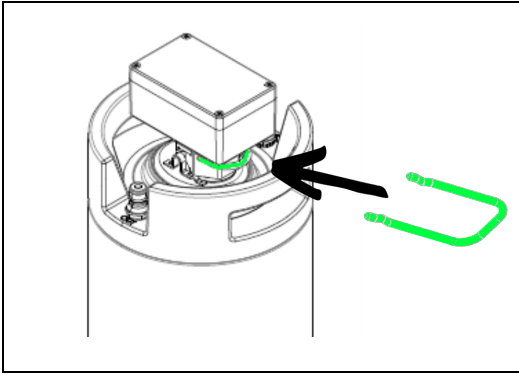
5. Insert the *shaft assembly* through the hole in the *lid*, *blades* first, and screw clockwise into place.



6. Examine the underside of the *motor box* to align the hex shaped socket with the top of the hub of the *shaft assembly*. Connect the *motor box* to the top of the hub of the *shaft assembly*.



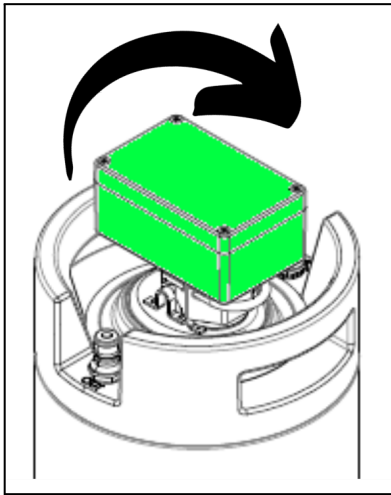
7. Insert the *locking pin* through the two holes of the *motor box socket* and *shaft assembly hub*.



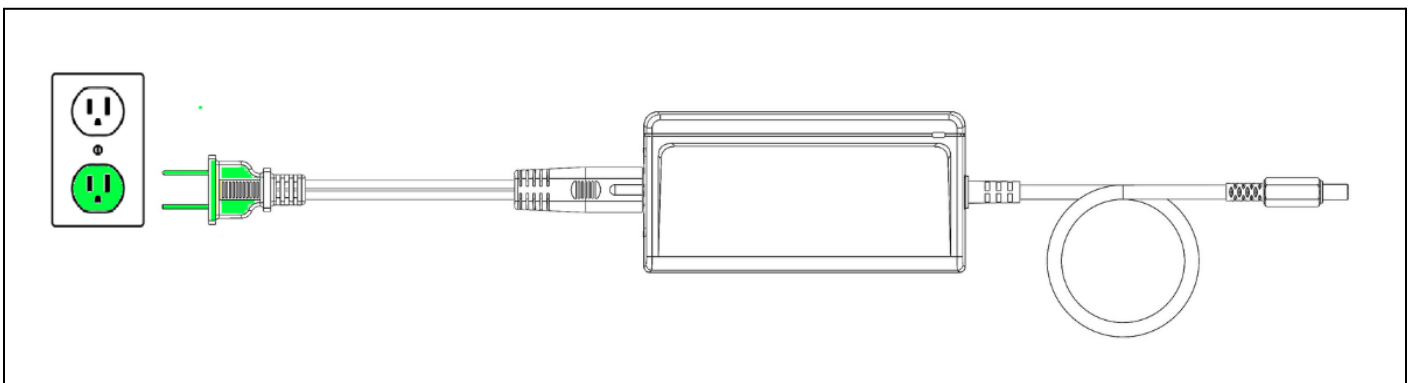
TIP

If the *locking pin* cannot be inserted, this indicates that the *motor box socket* is not aligned with the top of the *shaft assembly hub*. In this case, remove the *motor box* and turn it 60 degrees to the left or right to realign the socket before reconnecting to the *shaft assembly hub*. How-To videos are available on our Youtube Channel for quick help.

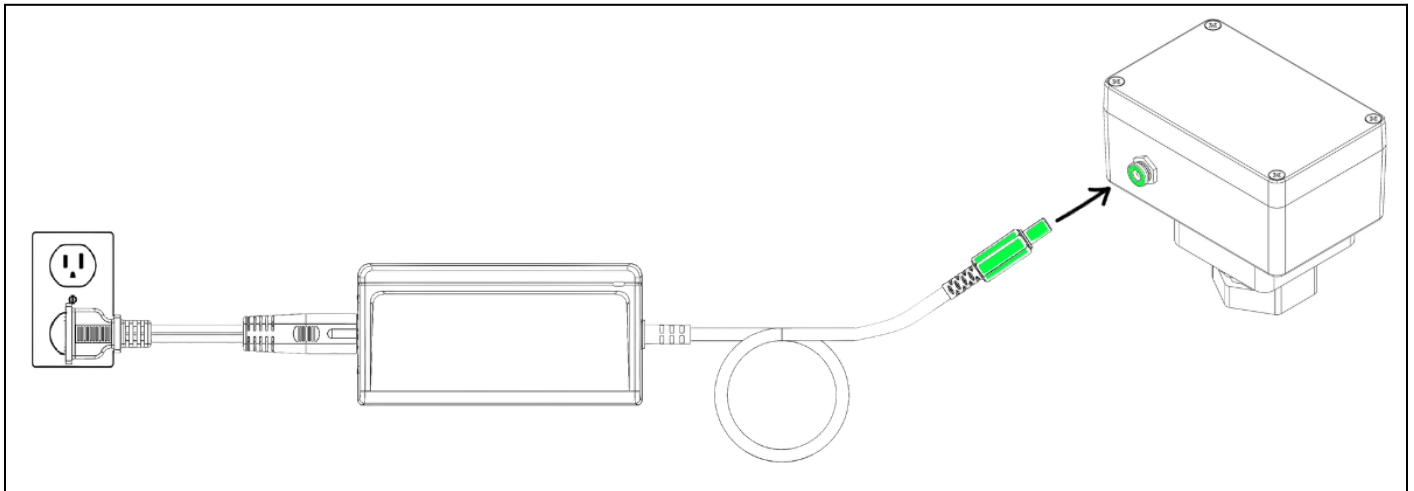
8. Grasp the *motor box* firmly and twist clockwise (like a wrench) to tighten the *shaft assembly* in the hole of the *lid assembly*.



9. Plug the dual-pronged end of the *power supply* into an outlet.



10. Plug the other end into the jack on the side of the motor box. This will cause the *shaft assembly* to spin and agitate the keg contents.



11. Listen carefully for up to one minute. If a ticking noise is heard or if the motor suddenly makes a loud humming noise, there is interference with the dip tube.
12. Unplug the *power supply* from the *motor box*.
13. Grasp the *motor box* and turn it counter-clockwise (like a wrench) to unscrew the *shaft assembly* from the *lid assembly*.
14. Grasp the *locking pin* and pull firmly to remove it.
15. Pull the *motor box* upwards to remove it from the top of the *shaft assembly hub*.
16. Carefully remove the *shaft assembly* from the *lid assembly*. **DO NOT** allow the *blades* to strike against the edge of the *lid assembly* hole as they are pulled through.
17. Remove the *blades* from their hole in the *shaft assembly*, and reinstall the blades one hole higher on the shaft.

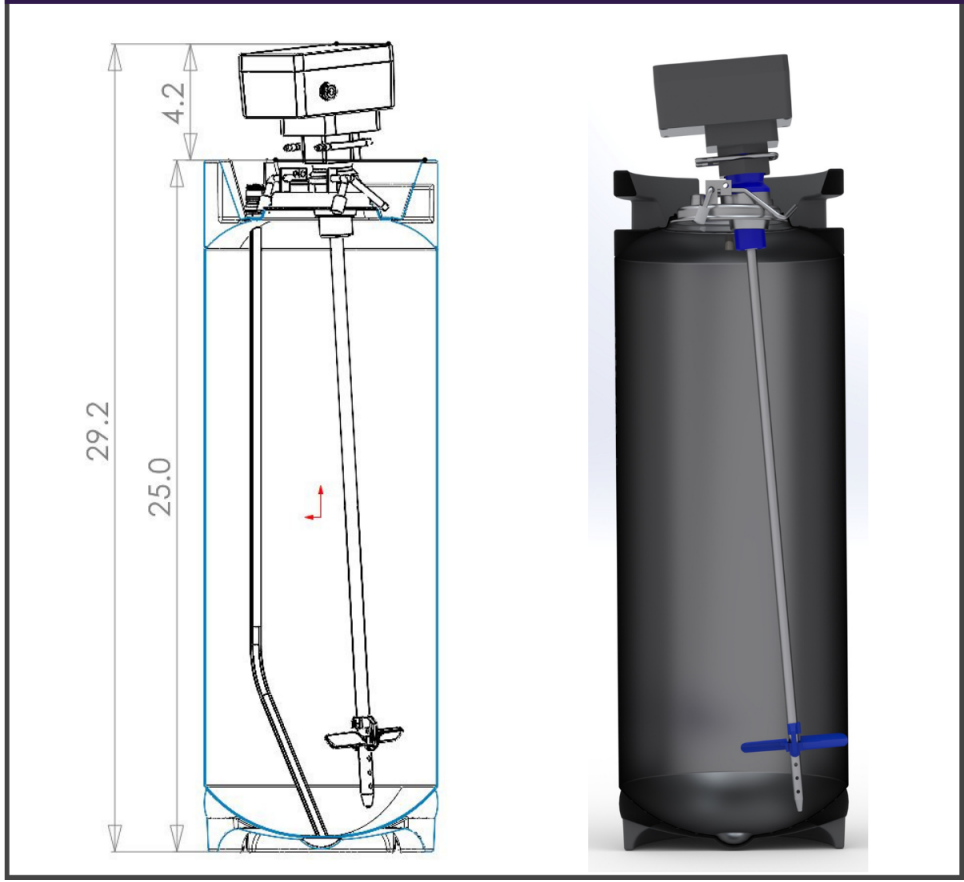
Repeat steps 4-11, carefully listening for up to one minute for a ticking sound or motor humming. If you still hear interaction between the *blades* and the *dip tube*, repeat steps 12-17 to raise the *blades* to the next lowest setting.

If blades still interfere with the dip tube when the blades are at their highest position, then your keg needs the modified *dip tube* provided. If this is the case, reset the *blades* to the lowest possible setting and repeat the process of testing blade height.

18. When blades no longer hit, make note of the hole location. The blades should always be installed in this hole setting when using this keg. It should also be noted that this keg requires the modified *dip tube*.

Dimensions in Inches

Cross-Section



USING KEGNADO

READ ALL WARNINGS PRIOR TO USE



WARNING: MOVING PARTS

DO NOT plug the *power supply* into the *motor box* while assembling Kegnado™. To turn Kegnado™ ON and OFF, simply unplug the *power supply* from the *motor box*. If Kegnado™ is plugged into power prior to keg installation, parts will begin spinning. Doing so may risk injury or property damage. Connecting Kegnado™ to power is **ALWAYS** the last step.



Intended only for the use of mixing beverages.

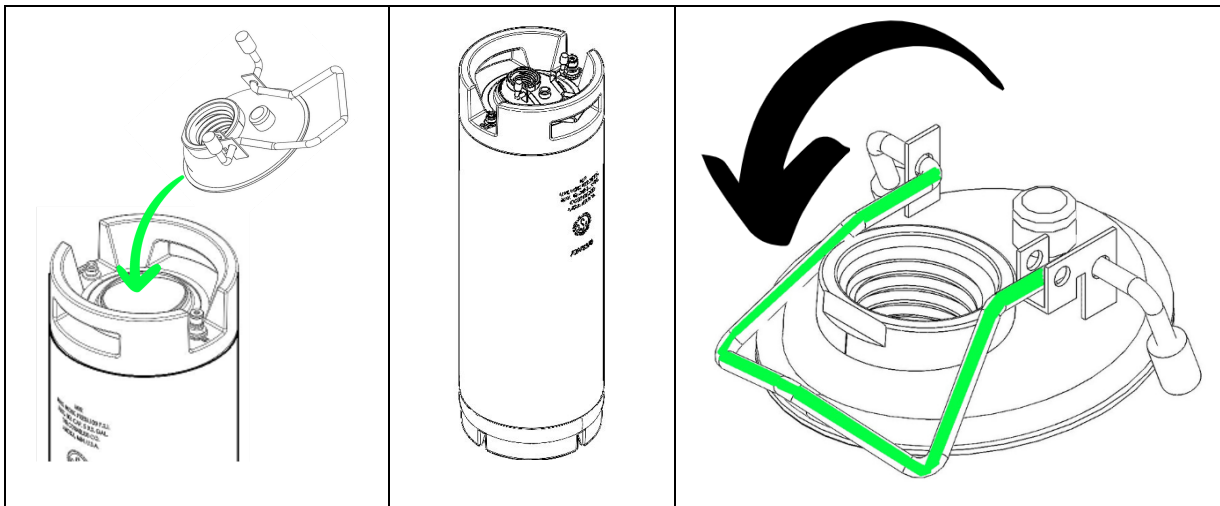


DO NOT SUBMERGE OR SPRAY MOTOR BOX OR POWER SUPPLY WITH WATER.

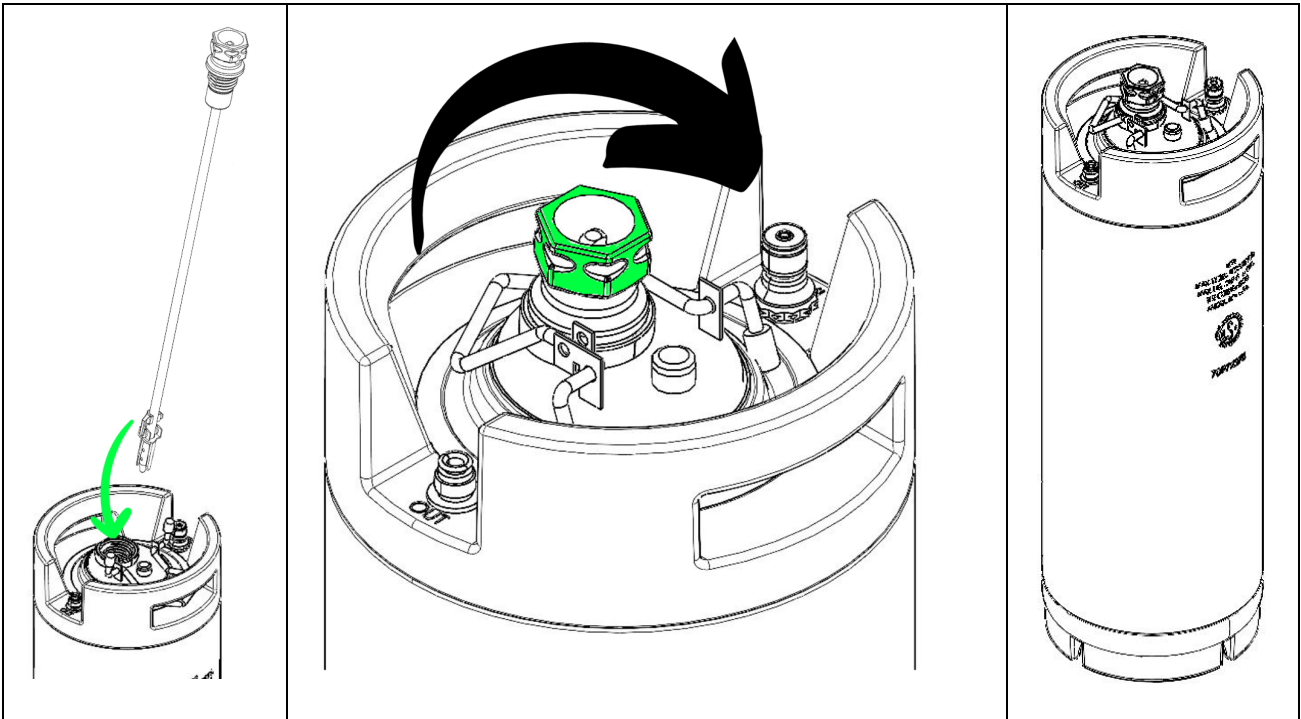


ALWAYS DEPRESSURIZE KEG before removing Kegnado™ from the keg.

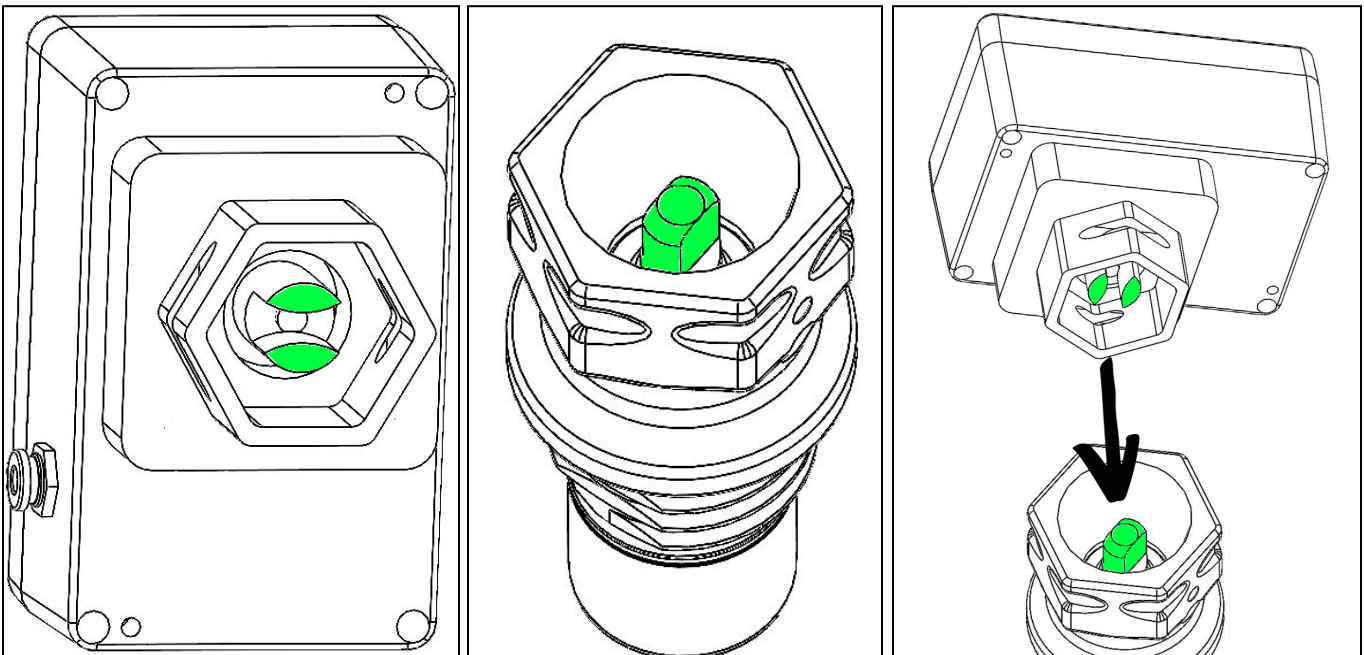
1. Clean all Kegnado™ parts and the keg (refer to **Before First Use** section).
2. Install dip tube, if needed (refer to **Setting Up Original Kegnado™** section to determine if dip tube is needed).
3. Remove the *lid assembly*, if not already removed from the keg.
4. Add drink ingredients to the keg. **DO NOT** add ingredients through the hole of the modified *lid assembly*. **ALWAYS** remove the *lid* from the keg before adding ingredients.
5. Install one *blade kit* on the end of the *shaft assembly* at the proper hole setting. To determine blade height, refer to the **Setting Up Original Kegnado™** section.
6. Install the modified *lid assembly* into the *keg*, and lock into place by flipping the handle.



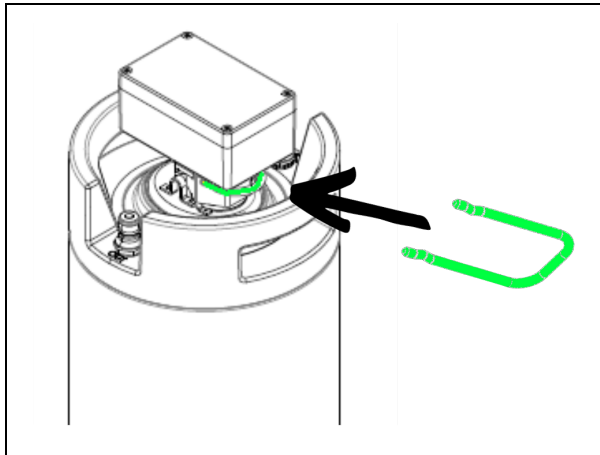
7. Grasp the hub at the top of the *shaft assembly* and gently guide it through the hole in the *lid, blades first*, and twist clockwise into place.



8. Connect the hex shaped socket of the *motor box* into the hub at the top of the *shaft assembly*. Be sure to align the inside of the socket with the metal part of the *shaft assembly hub*.



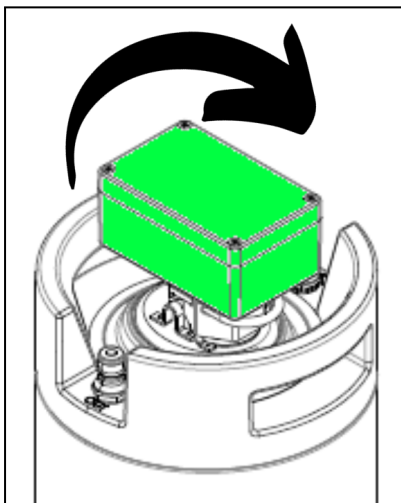
9. Secure the *motor box* to the *shaft assembly hub* with a *motor locking pin* by sliding the pin through the two sets of holes on either side of the *motor box socket*, which should align with the holes on either side of the *shaft assembly hub*.



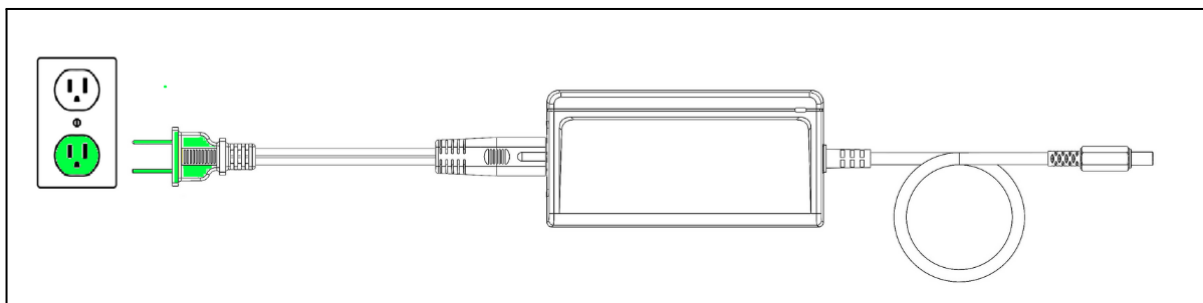
TIP

If you are unable to slide the *locking pin* into place, the most likely issue is misalignment of the *motor box socket* into the top of the *shaft assembly hub*. In this case, grasp the *motor box* and pull upwards to remove it from the hub, turn it 60 degrees to the right or left, and try again to connect them. When the socket and hub are properly aligned, the bottom of the socket will slide all the way down to the lip of the edge of the hub. If the socket and hub are not properly aligned, the motor will be unable to spin the *shaft assembly*.

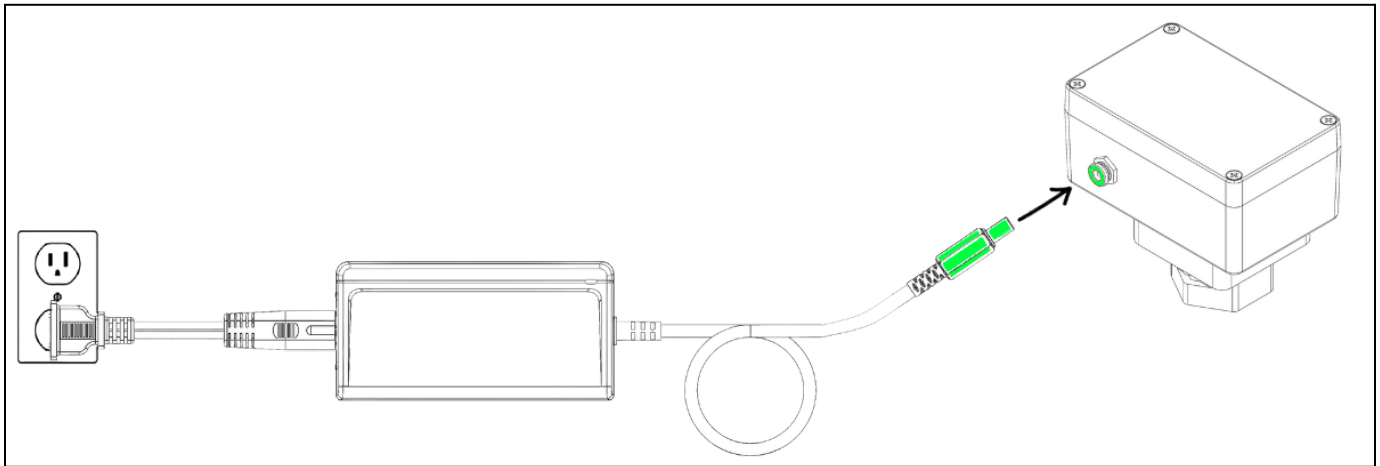
10. Grasp the *motor box* firmly and twist clockwise (like a wrench) to tighten the *shaft assembly* in the hole of the *lid assembly*.



11. Plug the dual-pronged end of the *power supply* into an outlet.



12. Plug the other end of the *power supply* into the jack on the side of the *motor box*. This will cause the *shaft assembly* to spin and the *blades* will open, agitating the keg contents.






13. Kegnado™ is now running. Hook up the keg to the air and fill lines per manufacturer instructions, then start pouring drinks!

Discontinue use if loud humming, ticking, or rattling noises are heard. This indicates the *blades* are contacting the *dip tube*. Refer to *Setting Up Original Kegnado™* to troubleshoot.

14. When you're done serving drinks with the keg, unplug the power supply from the jack in the side of the motor box.
15. **ALWAYS DEPRESSURIZE** the keg according to manufacturer instructions before removing Kegnado™ from the keg.
16. After depressurizing the keg, grasp the *motor box* and turn it counter-clockwise (like a wrench) to unscrew the *shaft assembly* from the *lid assembly*.
17. Remove the *locking pin* connecting the *motor box* to the *shaft assembly hub* by pulling it straight out.
18. Grasp the *motor box* firmly and simply lift it straight up, removing it from the top of the *shaft assembly hub*.
19. Carefully remove the *shaft assembly* from the *lid assembly*. **DO NOT** allow the *blades* to strike against the edge of the *lid assembly* hole as they are pulled through.
20. If you intend to save the keg contents for the next service, insert the *plug* into the hole of the *lid assembly*. **ALWAYS** follow federal, state, tribal and local food safety regulations.
21. If the keg is empty or you are discarding the leftovers, **ALWAYS** remove the *lid assembly* prior to emptying the keg. **DO NOT** pour out of the hole in the *lid*.
22. **ALWAYS** wash, rinse and sanitize the keg and Kegnado™ parts in between uses following your federal, state, tribal and local food safety guidelines.

- 23. DO NOT SUBMERGE THE MOTOR BOX OR POWER SUPPLY IN WATER. DO NOT SPRAY THE MOTOR BOX OR POWER SUPPLY WITH LIQUIDS.**
- 24.** If the motor box needs to be cleaned, unplug it from the power supply and gently wash, rinse and sanitize the surface of the motor box with a damp cloth. **DO NOT SUBMERGE OR SPRAY MOTOR BOX OR POWER SUPPLY DIRECTLY WITH LIQUIDS.**
- 25. ALWAYS** use the rubber cover to close the power jack on the side of the *motor box* when not in use to avoid debris or moisture entering the electrical connection point.

	Intended only for the use of mixing beverages.
	DO NOT SUBMERGE OR SPRAY MOTOR BOX OR POWER SUPPLY WITH WATER.
	ALWAYS DEPRESSURIZE KEG before removing Kegnado™ from the keg.

TROUBLESHOOTING

READ ALL WARNINGS PRIOR TO USE

LID IS UNEVEN

When inserting the lid, tip it downwards at an angle so it can fit inside the oval hole. Using the handle, lift it straight up and align the black seal with the edge of the oval hole. Hold in place and flip the handle down to secure the lid in place. If it is not sitting evenly, flip the handle back to reposition the lid and try again.

LID WON'T SEAL

Dry seals may benefit from seal lubrication. Over time, O-Rings and rubber seals experience wear and tear and eventually need to be replaced.

DIP TUBE INSERTION

If you meet resistance when inserting the dip tube, apply pressure and wiggle the dip tube to push it past the point where the bend in the tube is stalled.

MOTOR AND HUB WILL NOT FIT TOGETHER

Examine the bottom of the motor socket to observe the direction of the metal connector. Examine the top of the hub of the shaft assembly and note the orientation of the metal bar inside the socket. The metal bar inside the hub socket must align and fit into the metal connector. If not aligned, the motor will only slide about halfway down the hub and will not make the connection with the shaft assembly, and will not stir. It may be helpful to plug in the motor before connecting it to the hub.

MOTOR LOCKING PIN WILL NOT INSERT

This is because the motor and the shaft assembly hub are not fully connected. Refer to the instructions above to ensure the motor and hub are properly aligned and connected. Once properly aligned and connected, the holes in the motor box socket and the shaft assembly hub will align for easy installation of the locking pin.

TICKING OR RATTLING NOISES, LOUD MOTOR HUM

The blades are most likely striking the dip tube. Refer to **Setting Up Original Kegnado™** instructions earlier in this manual.

MOTOR STOPS

1. Check to make sure all the connections of the power supply have not become loose or unplugged.
2. Unplug the power supply from the motor box and wait 30 seconds. Plug the power cord into the jack on the side of the motor box and the motor should start.
3. If not, unplug the power cord from the motor box and wait 30 minutes. Plug the power cord into the jack on the side of the motor box and the motor should start.

TROUBLE POURING DRINKS

If your drink mixture is too chunky, it could be possible to clog the dip tube. Kegnado™ can stir anything you can fit through a tap - please be conscious of the size of the ingredient particulates.

LIMITED WARRANTIES

Kegnado™ Limited Warranties

In the interest of purchaser peace of mind, the quality of our equipment, parts, and components are backed up by the strength of our Warranties.

Below is a complete overview of these warranties. In the event any product is defective or you need technical assistance, please contact our customer service team Monday through Friday from 9:00 am to 5:00 pm EST.

Kegnado™ and its components are warrantied exclusively by Atlas Diversified Products Corporation (ADPC) that its products will be free from defects in material and workmanship, under normal use and regular service, and preventative maintenance for the Warranty Period (defined below).

60 DAY LIMITED WARRANTY

ADPC will accept returns during the initial 60 day warranty period for the Customer's FIRST purchase of Kegnado™, limited to 5 Units, for any reason, barring returns due to accidental damage, alteration, misuse or abuse. During this 60 day unconditional warranty period, the customer will have the option to either return Product for full refund of purchase price, or replacement of the Product.

Authorization is required for any Product Return. Contact ADPC for a Return Authorization number; describe the items being returned and the reason. All Product Returns must be shipped back to ADPC within fifteen (15) days of receiving the Return Authorization Number. Products must include the original packaging, documentation, manuals, and accessories.

ADPC is not responsible for returned shipments that are lost, pilfered, or damaged.

Refund will be issued after ADPC has received the Returned Product.

1 YEAR LIMITED MANUFACTURER'S WARRANTY

Unless otherwise specified, ADPC will accept returns for the remaining year of the standard warranty period for all products that have defects in materials or workmanship, or failures during normal use subject to the terms and conditions listed below. This Warranty is limited to 90 days (from original purchase) for parts subject to normal wear and tear (o-rings, seals, etc). Some products not made by ADPC (such as the Keg and the cleaning brush) are warrantied by their respective manufacturer; therefore, this Limited Warranty does not apply to such products.

The Customer pays for the cost of shipping of all approved warrantied products back to ADPC. Insure all packages. ADPC is not responsible for returned shipments that are lost, pilfered, or damaged.

If any defect is discovered in the product during the Warranty Period, the purchaser must notify ADPC's customer service department to obtain a return authorization number and further instructions on how to return the product for service. Purchaser must follow ADPC's instructions.

E-Mail: sales@kegnado.com

Toll-Free Phone: 833-KEGNADO

ADPC will have no responsibility to honor claims received after the date the applicable Warranty Period expires.

TERMS & CONDITIONS

ADPC reserves the right to request proof of purchase (either in the installation note or invoice copy, etc.) with date of purchase showing model and serial number before accepting any liability for warranty claim.

ADPC's sole obligation under the warranty shall be to replace the defective product with a working one or a similar model of equivalent value if the same model is not available, in the occurrence of any failure or defect covered under the warranty during the warranty period. The warranty is provided only on device and not on other in-box contents such as batteries, cables, accessories, plastic consumables etc.

After receipt of a Kegnado™ that ADPC determines is defective, ADPC will replace the defective component. ADPC's determination of defects is final. Failure by the Purchaser to give notice of claims of breach of warranty within the Warranty Period shall be deemed an absolute and unconditional waiver of the purchaser's claim for such defects. Products replaced during the Warranty Period shall be covered by the foregoing warranties for the remainder of the original Warranty Period.

If ADPC determines that the replacement is not covered under the warranty, you will be duly notified.

ALL REPAIRS MUST BE FIRST AUTHORIZED BY ADPC VIA THE ABOVE PROCEDURE. UNAUTHORIZED REPAIRS WILL NOT BE REIMBURSED BY ADPC UNDER ANY CIRCUMSTANCES.

ADPC is not responsible for parts damaged from factors including, but not limited to any part that has been subject to misuse, neglect, alteration, accident, unauthorized service, abuse, or any damage caused by transportation. This Warranty is limited to 90 days (from original purchase) for parts subject to normal wear and tear (o-rings, seals, etc). TO THE MAXIMUM EXTENT PERMITTED BY LAW, THIS WARRANTY, AND THE REMEDIES SET FORTH ABOVE ARE EXCLUSIVE AND IN LIEU OF ALL OTHER WARRANTIES, REMEDIES AND CONDITIONS, WHETHER ORAL OR WRITTEN, EXPRESS OR IMPLIED. ADPC SPECIFICALLY DISCLAIMS ANY AND ALL IMPLIED WARRANTIES, INCLUDING, WITHOUT LIMITATION, WARRANTIES OF MERCHANTABILITY, FITNESS FOR A PARTICULAR PURPOSE AND NON-INFRINGEMENT. IF ADPC CANNOT LAWFULLY DISCLAIM OR EXCLUDE IMPLIED WARRANTIES UNDER APPLICABLE LAW, THEN TO THE EXTENT POSSIBLE ANY CLAIMS UNDER SUCH IMPLIED WARRANTIES SHALL EXPIRE ON EXPIRATION OF THE WARRANTY PERIOD. NO ADPC RESELLER, AGENT, OR EMPLOYEE IS AUTHORIZED TO MAKE ANY MODIFICATION, EXTENSION, OR ADDITION TO THIS WARRANTY. To the maximum extent permitted by law, ADPC's liability hereunder, in any case, is expressly limited, at ADPC's election, to repair or replacement of the Product. Except as expressly provided in this Agreement, Purchaser assumes all other responsibility for any loss, damage, or injury to persons or property arising out of, connected with, or resulting from the use of Products, either alone or in combination with other products or components. To the maximum extent permitted by law, ADPC is not responsible for, and the purchaser releases ADPC from, direct, special, incidental, consequential, or punitive damages consequential damages resulting from any breach of warranty or condition, or related in any way to the equipment, or under any other legal or equitable theory, including without limitation loss of beverage, loss of gas or loss of sales. Some states do not allow the exclusion or limitation of incidental or consequential damages, so the above limitation or exclusion may not apply to you. This Warranty gives you specific legal rights, and you may also have other rights that vary from state to state.

ADPC will not pay for: Repairs or Replacement where use and/or damage resulted from accident, alteration, transportation, misuse or abuse.

This warranty extends only to the original purchaser and is non-transferable.

ADPC may assign any of its rights and/or obligations, either in whole or in part, to any of its affiliates or any third party. ADPC may also at its discretion enter into any subcontract with any person for the performance of any part of this warranty or appoint any authorized service provider.

Warranty is automatically terminated after the expiry of warranty period specified in this document whether or not product has been in use.

The warranty shall be void if product or part label/serial number has been removed, damaged, altered, or obscured.

The warranty does not cover failure or defects of the product or part has been resulted from or attributable to:

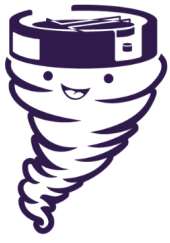
- Modification, service, maintenance or repair done other than by an ADPC representative or ADPC authorized partner.
- Any extrinsic cause, accidental damage, improper use, modification, adaptation, neglect, wear and tear, improper installation and connection external electrical fault leading to hardware/ component failure/ burnt and any fire accidents, which damage the hardware and the components.
- Operation outside the usage parameters stated in the user documentation.
- Improper physical/electrical or operating environment.
- Loss or damage in transit.
- Unauthorized correction alterations made in invoice copy/installation note.
- Default in the payment of full price of the product supplied by ADPC or its authorized reseller.

Other Warranties Disclaimed

These are the sole and exclusive warranties and conditions given by ADPC with respect to the products and services and are in lieu of and exclude all other warranties or conditions, express or implied, arising by operation of law or otherwise, including without limitation, warranties of merchantability, fitness for a particular purpose and non-infringement, whether or not the purpose of use has been disclosed to ADPC in specifications, drawings or otherwise, and whether or not ADPC's products are specifically designed and/or manufactured by ADPC for purchaser's use or purpose.

Limitation of Remedy

Purchaser's sole and exclusive remedy for breach of any warranty shall be limited to the repair, correction, or replacement, of the defective Products.



KEGNADO™

keg stirrer

Kegnado™ is designed to run continuously for thousands of hours, with proper care. If these troubleshooting steps do not work, please contact the Kegnado™ team for assistance.

Illustrations may differ from the actual product. We are constantly striving to improve our products, therefore the specifications contained herein are subject to change without notice.

Find FAQ, Blog, Recipes,
and More at kegnado.com:



Find Instructional Videos
on our YouTube Channel:



@kegnado

Kegnado™ is proudly produced in the USA by:

Atlas Diversified Products Corporation

400 Business Centre Drive, Suite 11

Lansing, MI 48917

1-833-KEGNADO

Kegnado.com

PATENT PENDING

© 2023 Atlas Diversified Products Corporation

