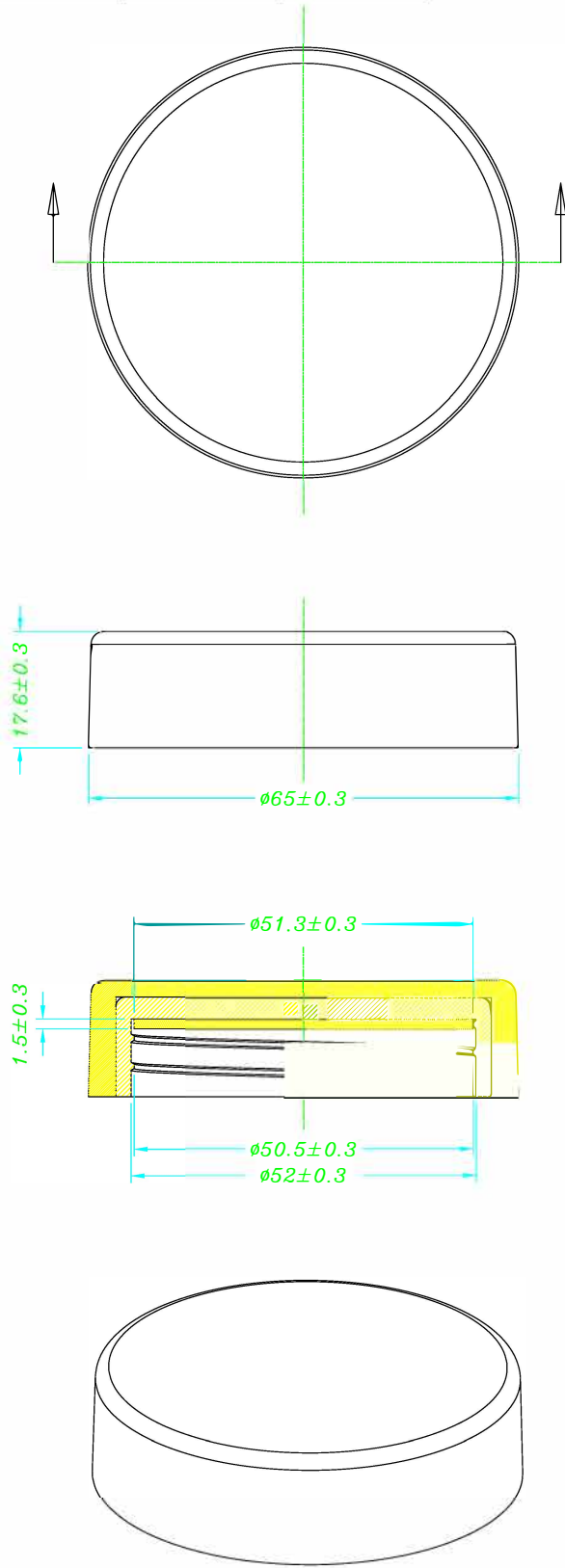



Nr	ITEM NAME	MATERIAL	GRADE Nr	MAKER



3					
2					
1					
Revision:	Description:			Date:	Approved:
NAME:	DATE: 2018/11/19			MATERIAL: PP	MANUFACTURER CODE C0616_Cap(PP)
Drawn: LIN	dd/mm/aa	Useful Capacity:			
Checked: -	dd/mm/aa	Overflow Capacity:		CLIENT:	
Approved: -	dd/mm/aa	Weight:			
PROJECT NUMBER	DESCRIPTION:			DWG NR. REF	
The copyright of this drawing is owned by Quadpack Group. Its contents shall not be reproduced nor disclosed to a third party without written permission.				SCAL : E/1	
				SHEET 1 OF 1	