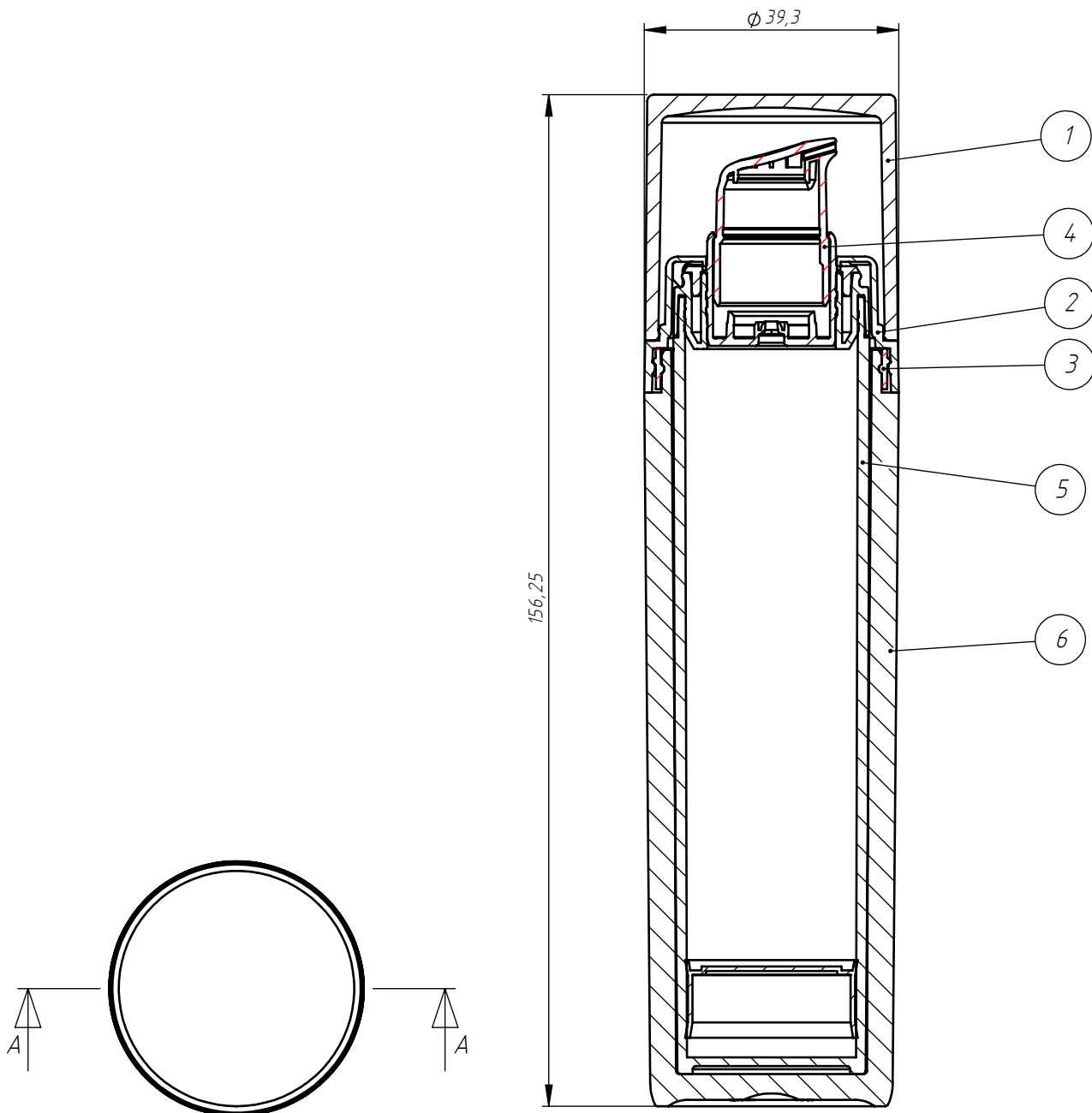


POS-NR.	Description	Finished	Material	Weight	Material	Weight	Quantity
1	Cap	Glossy	SAN	13g	PET,rPET	15,3g	1
2	Adaptor	Glossy	PP				1
3	Ring		PP				1
4	Pump	Glossy	PP				1
5	Container	Glossy	PP				1
6	Outer bottle	Glossy	SAN	54,1g	PET,rPET	66,2g	1



SECTION A-A

COMERCIAL DRAWING

A		Create drawing		22/04/2021		Frank Hardes			
Version:		Description:		Date:		Made by:			
NAME:		DATE:		GENERAL TOLERANCES				CLIENT:	
Drawn:		22.04.2021		SCALE: 1:1		0 - 10		± 0.15	
Checked:		----		O.F.C.: 53,9 ± 0.5 ml		10 - 20		± 0.25	
Approved:		----		NOM. CAP.:50ml		20 - 40		± 0.35	
						40 - 60		± 0.5	
						60 - 80		± 0.8	
						> 80		± 1	

DRAWING Nr.
QPLQL_00_0033_a

DESCRIPTION:
50ml Refill Dispenser



The copyright © of this drawing is owned by Quadpack Group. Its contents shall not be reproduced nor disclosed to a third party without written permission.

