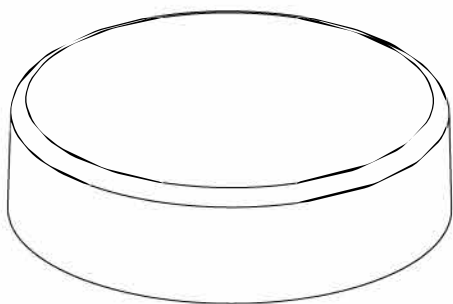
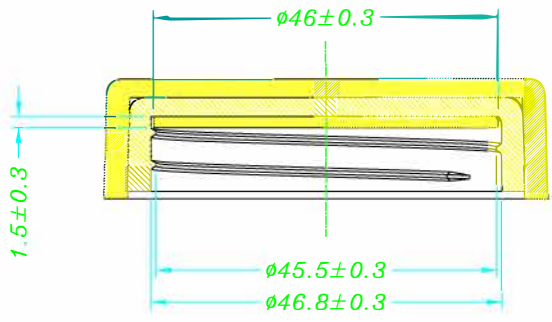
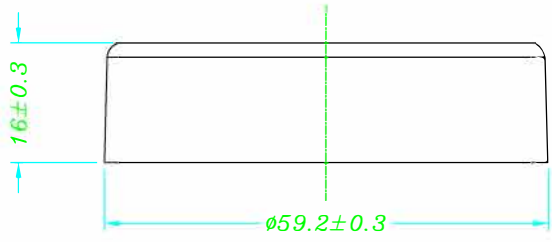
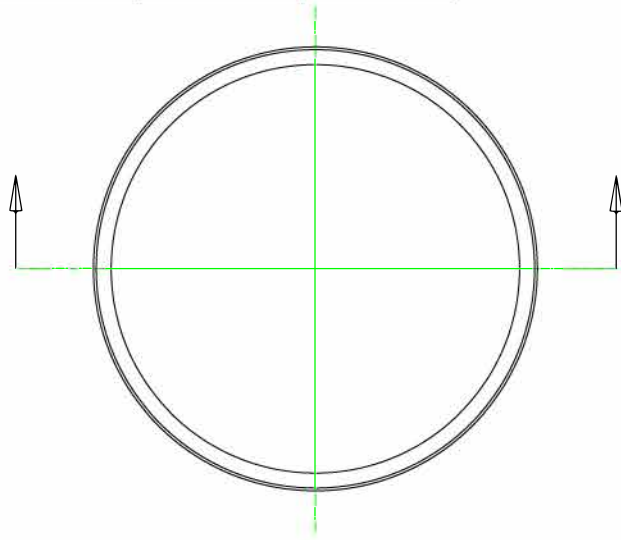


Nr	ITEM NAME	MATERIAL	GRADE Nr	MAKER



3					
2					
1					
Revision:	Description:			Date:	Approved:
Drawn:	NAME: LIN	DATE: 2018/11/19	Useful Capacity:	MATERIAL: PP	MANUFACTURER CODE C0365_Cap(PP)
Checked:	-	dd/mm/aa	Overflow Capacity:	CLIENT:	
Approved:	-	dd/mm/aa	Weight:		
PROJECT NUMBER	DESCRIPTION:			DWG NR. REF	
The copyright of this drawing is owned by Quadpack Group. Its contents shall not be reproduced nor disclosed to a third party without written permission.				SCALE: 1/1	
				SHEET 1 OF 1	