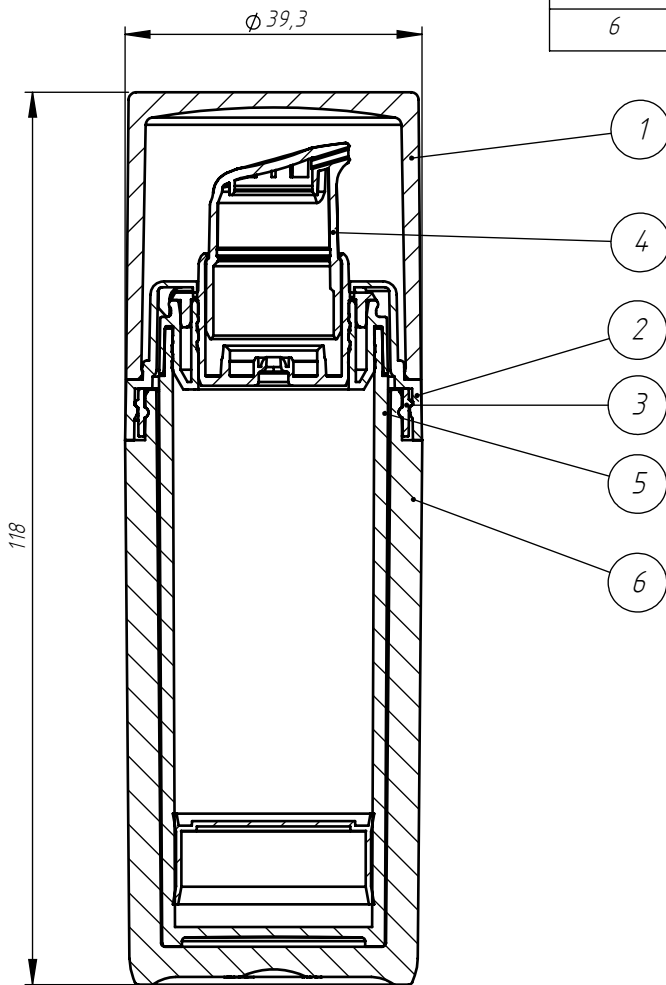
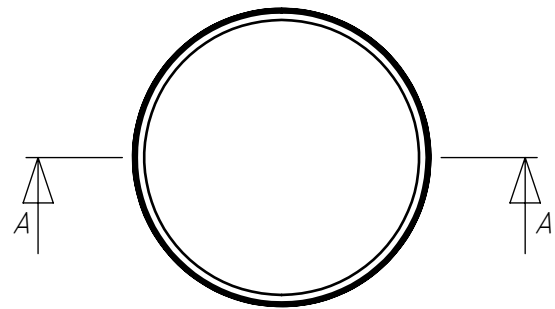


POS-NR.	Description	Finished	Material	Weight	Material	Weight	Quantity
1	Cap	Glossy	SAN	13g	PET,rPET	15,3g	1
2	Adaptor	Glossy	PP	3g			1
3	Ring		PP	0,9g			1
4	Pumpe	Glossy	PP	6,7g			1
5	Container	Glossy	PP	11,8g			1
6	Outer bottle	Glossy	SAN	39,8g	PET,rPET	47,6g	1



SECTION A-A



COMERCIAL DRAWING

A		Create drawing		22/04/2021		Frank Hardes			
Version:		Description:		Date:		Made by:			
NAME:		DATE:		GENERAL TOLERANCES				CLIENT:	
Drawn:		22.04.2021		SCALE: 1:1		0 - 10		± 0.15	
Checked:		----		O.F.C.: 36,9 ± 0.5 ml		10 - 20		± 0.25	
Approved:		----		NOM. CAP.:30 ml		20 - 40		± 0.35	
						> 80		± 1	

DRAWING Nr.
QPLQL_00_0032_a

DESCRIPTION:
30ml Refill Dispenser



The copyright © of this drawing is owned by Quadpack Group.
Its contents shall not be reproduced nor disclosed to a third party without written permission.

