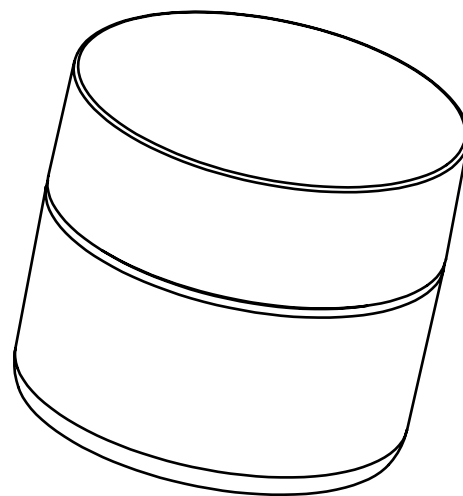
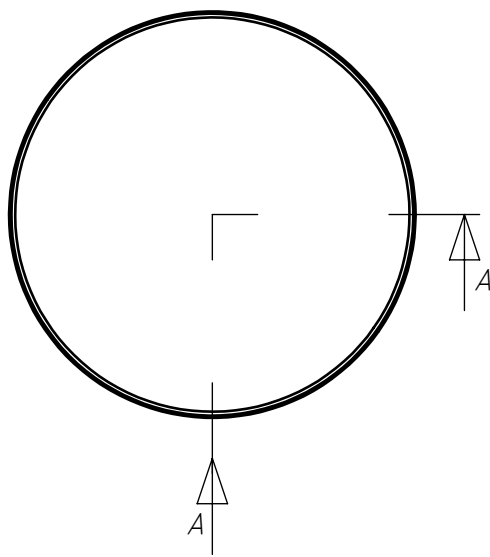
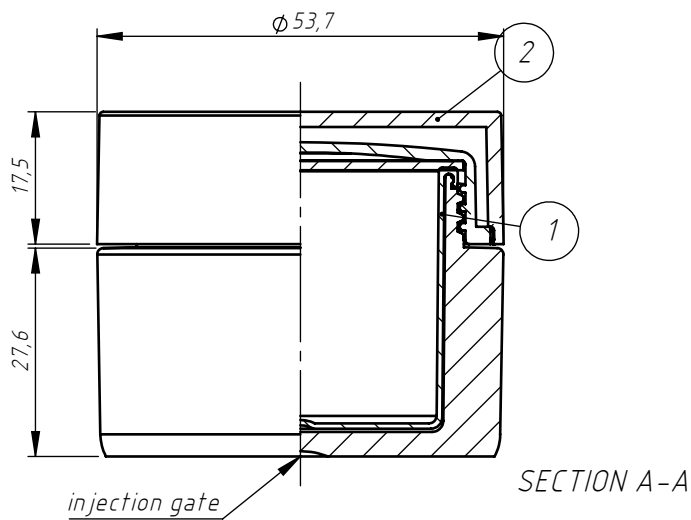


POS-NR.	Description	Quantity
1	Regula jar 30ml	1
2	Regula cap 30ml	1



COMERCIAL DRAWING

A		Create drawing		22/03/2022		D. Lindenthal			
Version:		Description:		Date:		Made by:			
NAME:		DATE:		GENERAL TOLERANCES				CLIENT:	
Drawn:		22.03.2022		SCALE: 1:1		0 - 10		± 0.15	
Checked:		-		O.F.C.: 35 ±1ml		10 - 20		± 0.25	
Approved:		-		NOM. CAP.: 30ml		20 - 40		± 0.35	
						40 - 60		± 0.5	
						60 - 80		± 0.8	
						> 80		± 1	

DRAWING Nr. QPLQL\_00\_0161\_a Jar Regula 30ml

DESCRIPTION:



The copyright © of this drawing is owned by Quadpack Group. Its contents shall not be reproduced nor disclosed to a third party without written permission.

