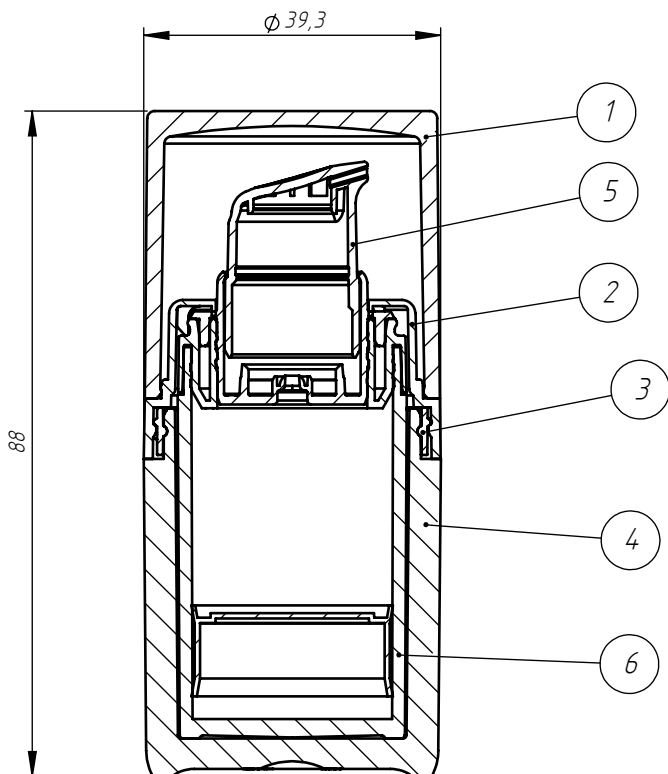
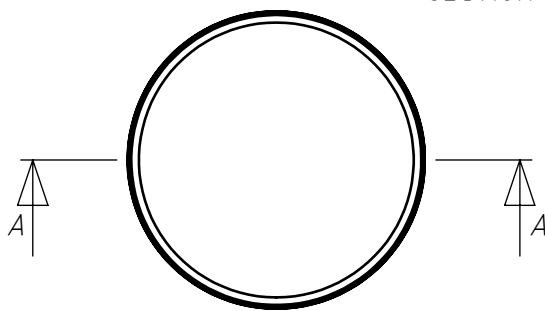


POS-NR.	Description	Finished	Material	Weight	Material	Weight	Quantity
1	Cap	Glossy	SAN	13g	PET,rPET	15,3g	1
2	Adaptor	Glossy	PP	2,8g			1
3	Ring		PP	0,9g			1
4	Outer bottle	Glossy	SAN	25,5g	PET,rPET	30,6g	1
5	Pump	Glossy	PP	6,7g			1
6	Container	Glossy	PP	11,4g			1



SECTION A-A



COMMERCIAL DRAWING

A		Create drawing		22.04.2021		Frank Hardes			
Version:		Description:		Date:		Made by:			
NAME:		DATE:		GENERAL TOLERANCES				CLIENT:	
Drawn:		22.04.2021		SCALE: 1:1		0 - 10		± 0.15	
Checked:		----		O.F.C.: 20,3 ± 0.3 ml		10 - 20		± 0.25	
Approved:		----		NOM. CAP.:15 ml		20 - 40		± 0.35	
						40 - 60		± 0.5	
						60 - 80		± 0.8	
						> 80		± 1	

DRAWING Nr. QPLQL_00_0031_a DESCRIPTION: 15 ml Refill Dispenser



The copyright © of this drawing is owned by Quadpack Group. Its contents shall not be reproduced nor disclosed to a third party without written permission.

