

RMR FRAMES

2022 ROCKY MOUNTAIN RAFTS



RMR FRAMES

Our mission for the last 10 years has been to produce and distribute the best value rafts and inflatable products in the industry and to deliver consistent, outstanding customer service. Our goal is to give everyone the opportunity to own a quality inflatable at a price they can afford so that they can enjoy the great outdoors.

Now, we are manufacturing frames with the same mission. These frames are designed specifically for Rocky Mountain Rafts but are also compatible with boats from other raft manufacturers. RMR frames, manufactured in Fayette County, West Virginia, are the best quality and most affordable frames on the market.

Our experienced frame designers and craftsmen are currently leading the RMR team in manufacturing. Each RMR boat will have a specifically designed frame to fit. You can purchase everything you need to get on the water rowing, in one package or a-la-carte.



#TEAMRMR

Check out our 2022 catalog!

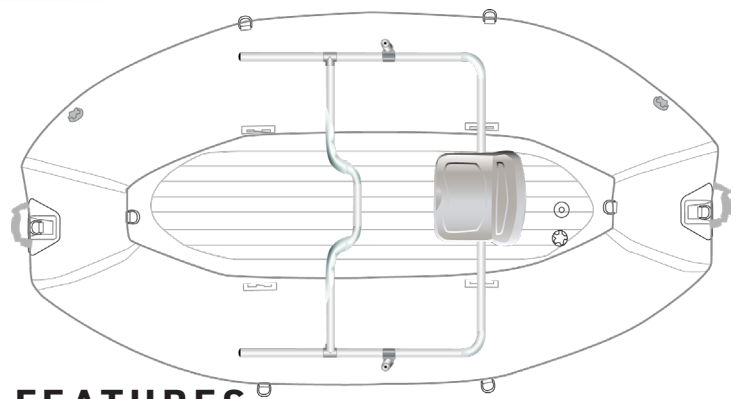
100
RMR
YEARS



Please visit: www.rockymountainrafts.com
for online Owner's Manuals, Blogs, How-To Videos, FAQ's and more.

RMR FRAME FOR:
THUNDERCLOUD

\$599 SKU: F95LB



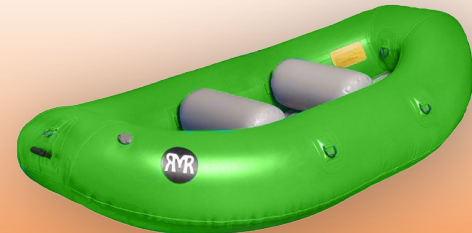
FEATURES

- Compact and lightweight, it's a perfect day frame rowing machine designed to fit our Thundercloud. Great for whitewater, flat water, and ultralight overnights.
- 34" L X 50" W
- 1 1/4" Sch 40 6063 T6 Anodized Aluminum w/Speed Rail Fittings
- Adjustable kick bar
- Includes RMR's oar towers and premium low-back tractor seat
- Fits most 12' - 13' paddle cats and rafts
- 8' - 8.5' oar length recommended

W = 50"

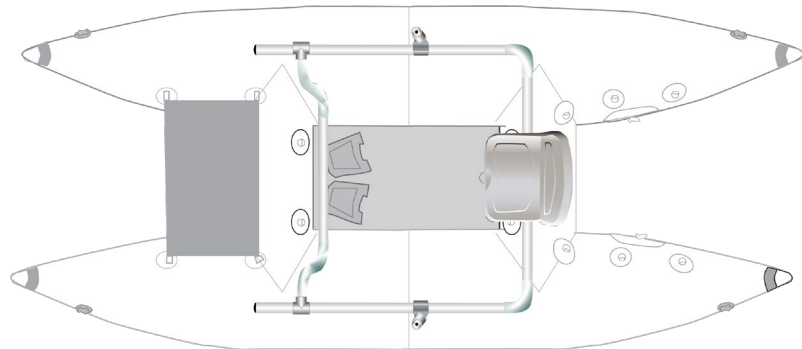
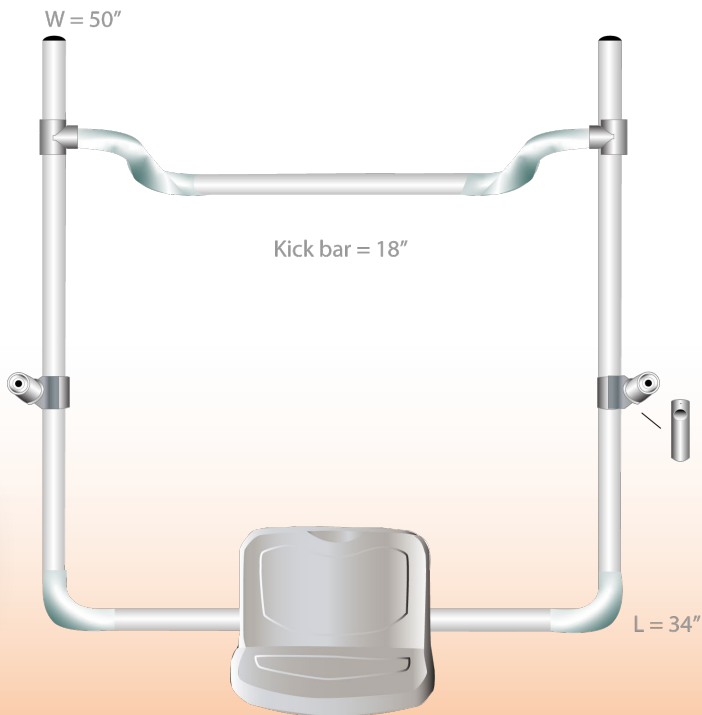
Kick bar = 12"

L = 34"



RMR FRAME FOR: **PHATCAT**

\$599 SKU: FC120LB



FEATURES

- Compact and lightweight, it's a perfect day frame rowing machine designed to fit our PhatCat. Great for whitewater, flat water, and ultralight overnightsers.
- 34" L X 50" W
- 1 1/4" Sch 40 6063 T6 Anodized Aluminum w/Speed Rail Fittings
- Adjustable kick bar
- Includes RMR's oar towers and premium low-back tractor seat
- Fits most 12' - 13' paddle cats
- 8' - 8.5' oar length recommended



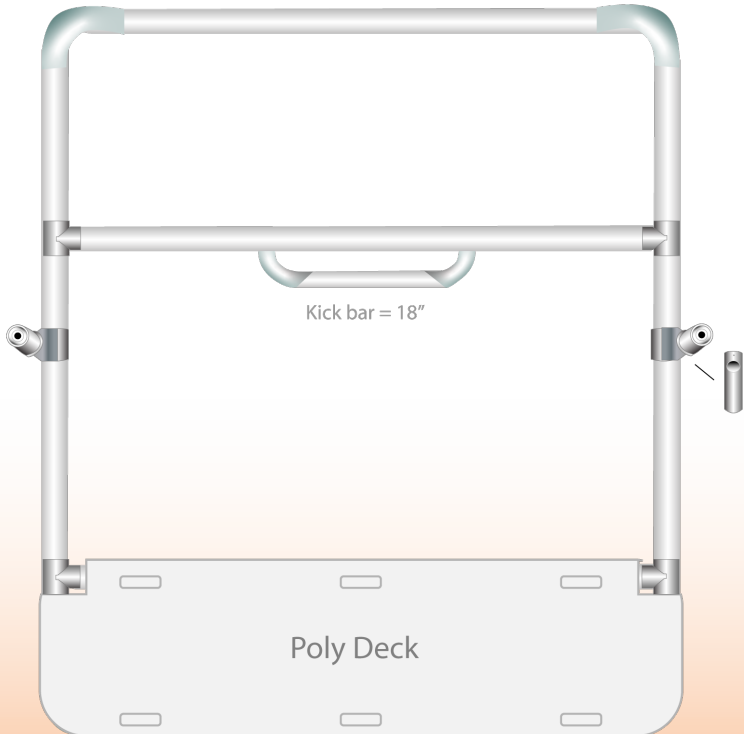
RMR FRAME: 3-BAY W/ POLY DECK

STORM

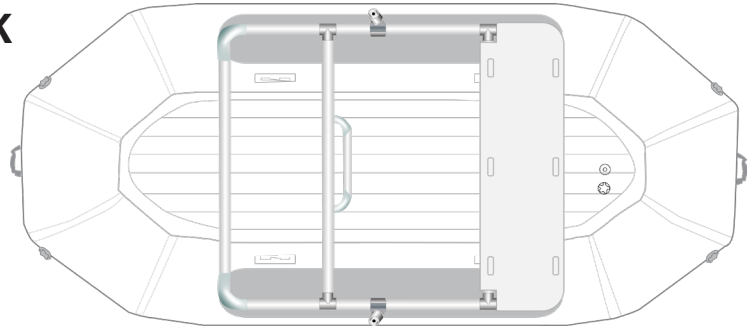
\$629

 SKU: F105PD

W = 50"



L = 60"



FEATURES

- The RMR 3-Bay w/Poly Deck for the Storm is durable, portable and lightweight and can carry enough gear to get you through the day or a week.
- 50" W X 60" L
- 1 1/4" Sch 40 6063 T6 Anodized Aluminum w/Speed Rail Fittings.
- Includes high-density poly (HDP) deck, kick bar, oar towers, (4) 1' cam straps
- Fits most 10' to 11' rafts
- 8' oar length recommended



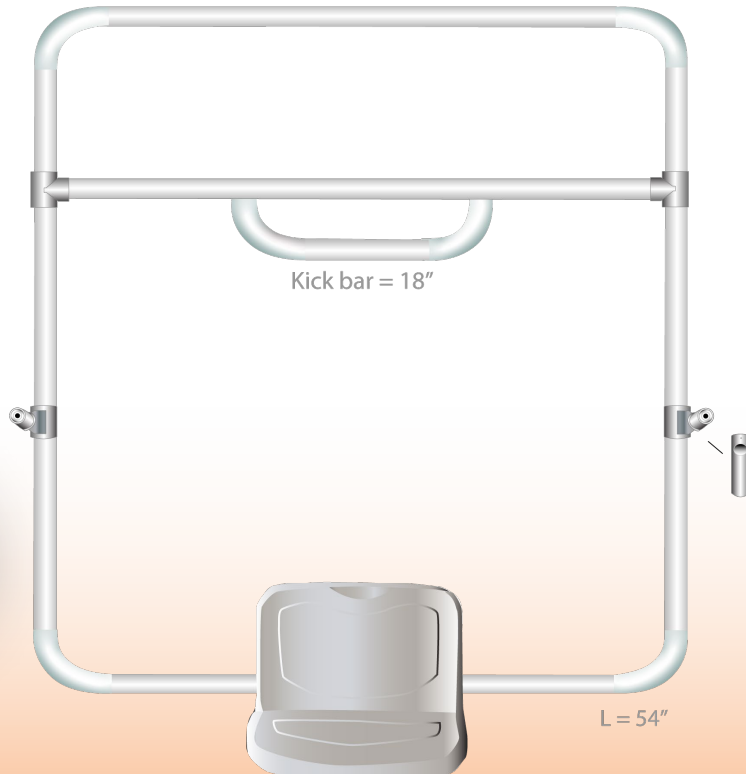
RMR FRAME: 2-BAY W/ LOW BACK SEAT

STORM

\$649

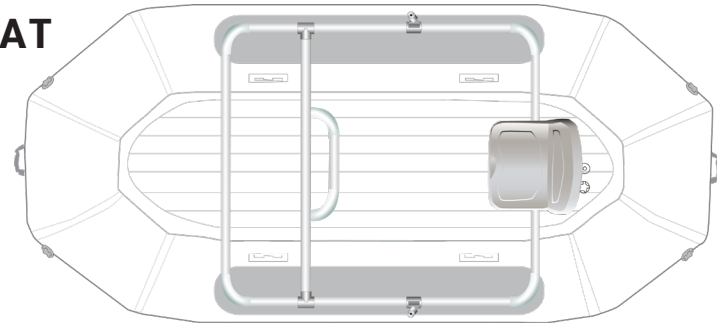
SKU: F105LB

W = 50"



Kick bar = 18"

L = 54"



FEATURES

- Small and lightweight the RMR 2-Bay Frame for the Storm is an ideal day frame that can accommodate your favorite cooler for day trips or self-contained overnights.
- 50" W X 54" L
- 1 1/4" Sch 40 6063 T6 Anodized Aluminum w/Speed Rail Fittings
- Includes RMR's custom oar towers, kick bar and premium low-back tractor seat
- Fits most 10' to 11' rafts
- 8' oar length recommended

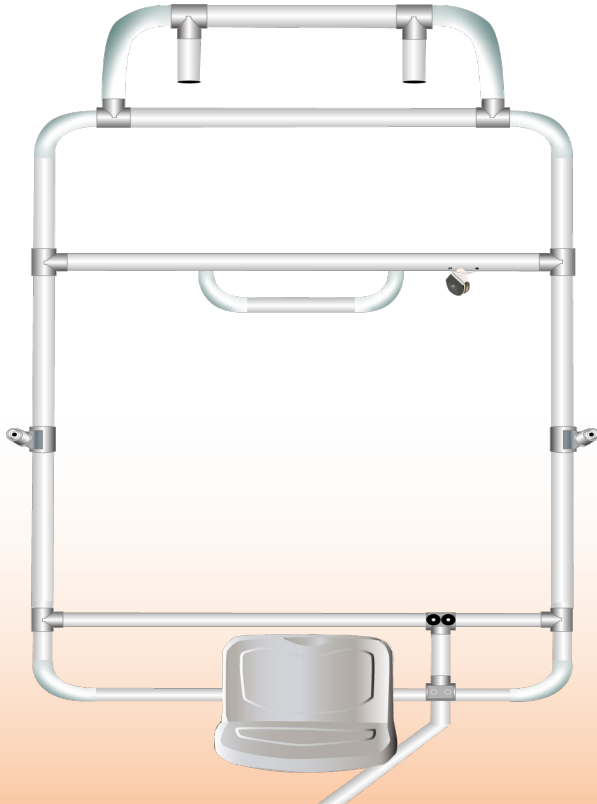
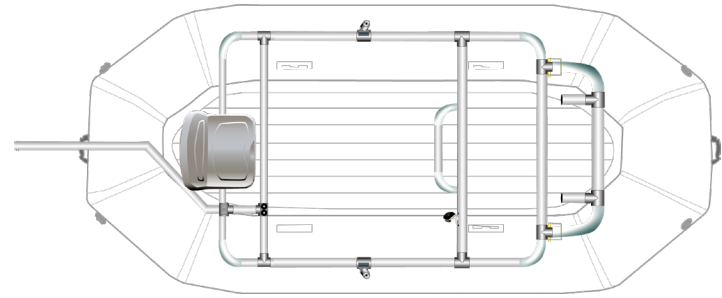


RMR FISHING FRAME:

STORM FISH FRAME

\$1479

SKU: FF105



FEATURES

- Small and lightweight, the RMR Fishing Frame for the 10.5' Storm raft is an ideal fishing frame that can accommodate your fishing gear, cooler and favorite fishing buddy.
- 50" W X 54" L
- 1¼" Sch 40 6063 T6 Anodized Aluminum w/Speed Rail Fittings
- Includes RMR's custom oar towers, kick bar, front lean bar, one-arm anchor mount system, and premium low-back tractor seat Fits most 10' to 11' rafts
- 8' oar length recommended



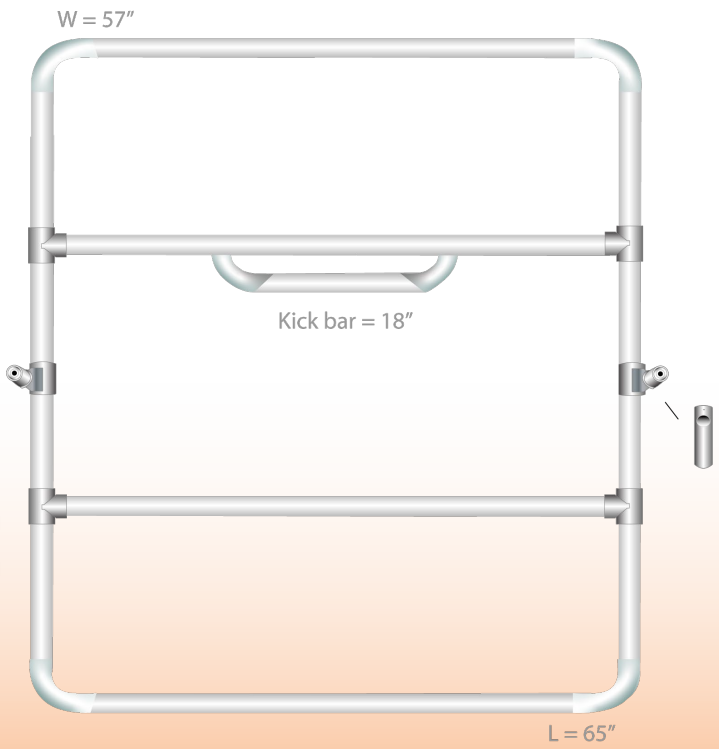
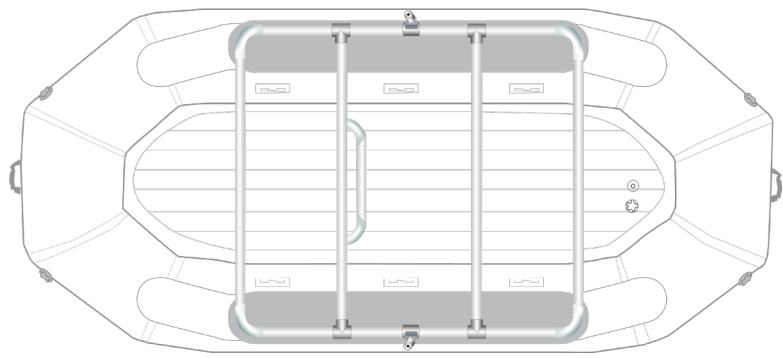
RMR FRAME:

1-1/4" 3-BAY

FOR 12' & 13' RAFTS

\$599

SKU: FL123



FEATURES

- Our 1-1/4" 3-Bay is bomber and sporty, so you can pack the family and gear for a day trip or extended overnighter.
- 57"W X 65"L
- 1 1/4" Sch 40 6063 T6 Anodized Aluminum w/Speed Rail Fittings
- Includes RMR's custom oar towers and kick bar, oar towers, (4) 1' cam straps
- Add a high-density (HDPE) poly deck (SKU: PD123) and drop bags for seating and storage
- 8' to 9' oar length recommended.
- Fits most 12'-13' rafts



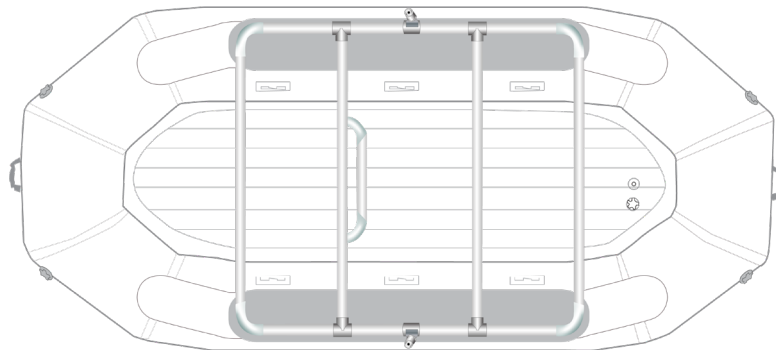
RMR FRAME:

1-1/2" 3-BAY

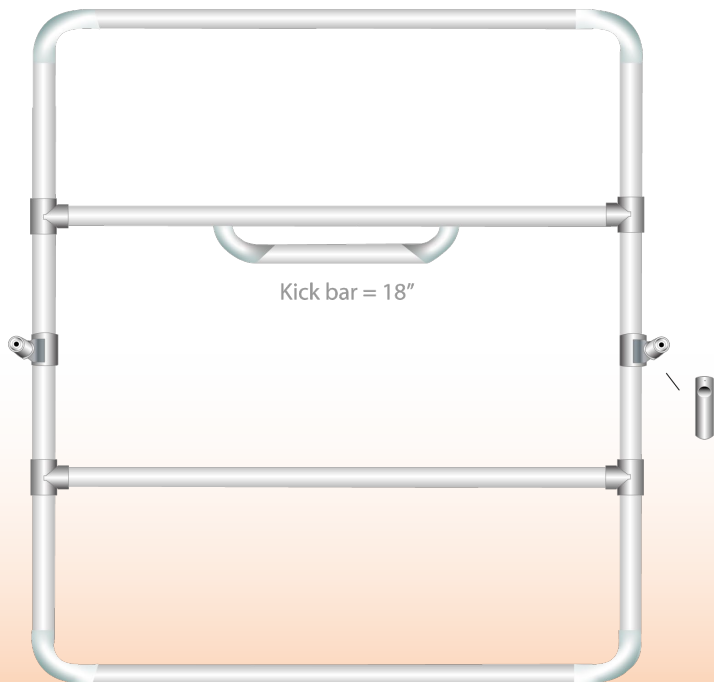
FOR 12' & 13' RAFTS

\$629

SKU: FH123



W = 57"



Kick bar = 18"

L = 65"

FEATURES

- The RMR 1-1/2" 3-Bay is our heavy-duty version for big volume river-running.
- 57"W X 65"L
- 1 1/2" Sch 40 6063 T6 Anodized Aluminum w/Speed Rail Fittings
- Includes RMR's custom oar towers and kick bar
- Add a high-density (HDPE) poly deck (SKU: PD123) and drop bags for seating and storage
- 8' to 9' oar length recommended
- Fits most 12'-13' rafts



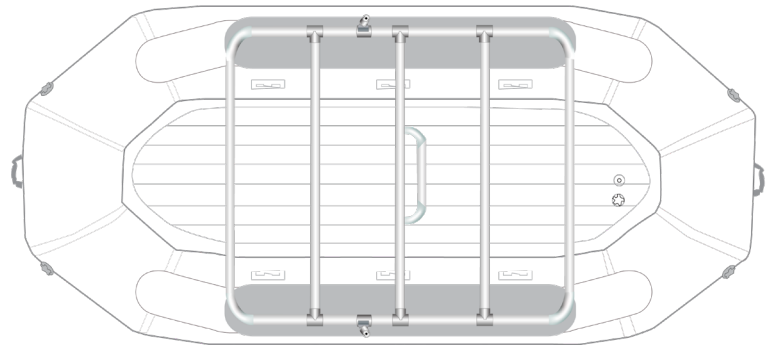
RMR FRAME:

1-1/2" 4-BAY

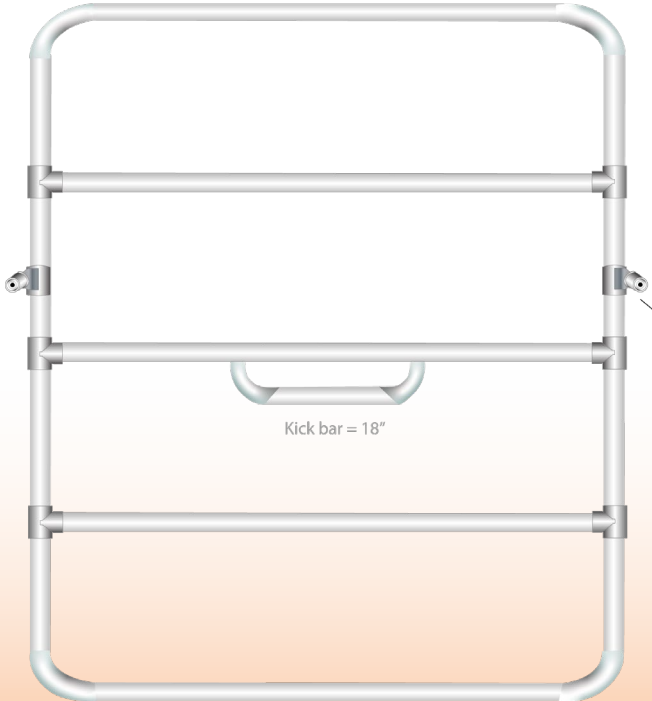
FOR 14' RAFTS

\$749

SKU: F140



W = 66"



Kick bar = 18"

L = 81"

FEATURES

- This RMR 4-Bay frame is the ultimate family fun, float, and fish unit.
- 66" W X 81" L
- 1 1/2" Sch 40 6063 T6 Anodized Aluminum w/Speed Rail Fittings
- Includes RMR's custom oar towers and kick bar
- Add a high-density (HDPE) poly deck (SKU: PD140) and drop bags for seating and storage
- 10' oar length recommended
- Fits most 14' rafts



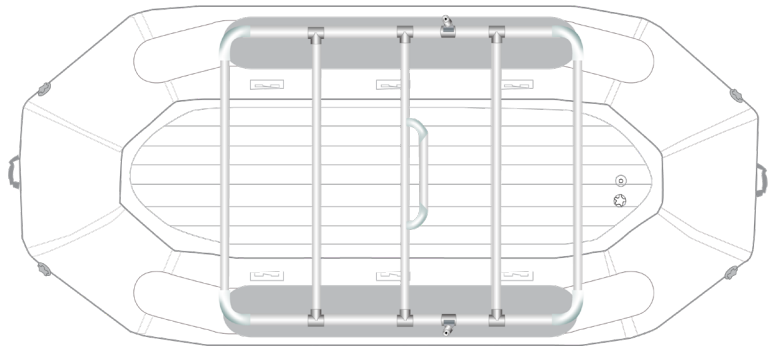
RMR FRAME:

1-1/2" 4-BAY

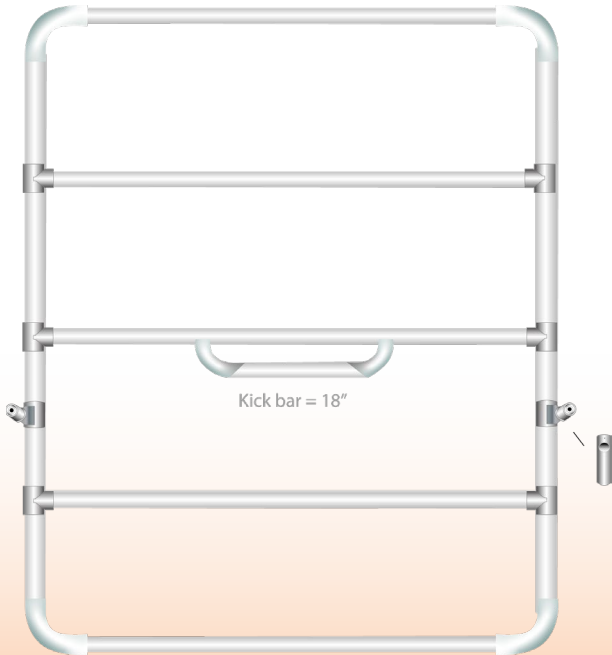
FOR 16' RAFTS

\$799

SKU: F160



W = 73"



Kick bar = 18"

L = 81"

FEATURES

- The RMR 4-Bay for our 16' rafts can row the canyon, float the family and haul it all.
- 73" W X 81" L
- 1 1/2" Sch 40 6063 T6 Anodized Aluminum w/Speed Rail Fittings
- Includes RMR's custom oar towers and kick bar
- Add a high-density (HDPE) poly deck (SKU: PD160) and drop bags for seating and storage
- 10' oar length recommended
- Fits most 16' rafts

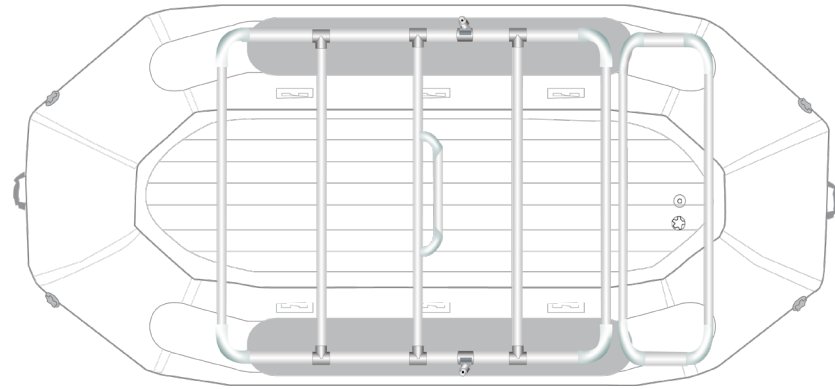


RMR FRAME:

TRAILER FRAME

FOR 16' RAFTS

\$199 SKU: F160TR



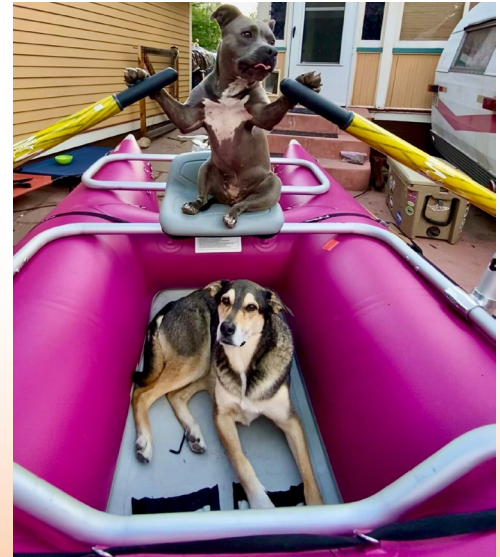
W = 73"



L = 22.25"

FEATURES

- Add a trailer frame with a drop sack and a table and you can have everything you need for the ultimate glamping experience.
- 73" W X 22 1/4" L
- 1-1/2" Schedule 40 T6063 Aluminum



RMR DRY BOXES

RMR 'LUMABOX

Introducing the RMR 'Lumabox

Hand-crafted in West Virginia by our experienced frame designer and craftsman. RMR's 'Lumabox is the perfect boat accessory to keep important gear safe and dry.



SIZE & PRICING

- 24 x 16 x 16 \$439 LBX 30 ~ Best fit for the SB-105
- 4 x 16 x 16 \$439 LBX 30 ~ Best fit for the SB-105
- 32 x 16 x 16 \$469 LBX32 ~ Best fit for the SB-120/SBDS-120 and SB-130/SBDS-130
- 34 x 16 x 16 \$489 LBX34
- 36 x 16 x 16 \$509 LBX36
- 38 x 16 x 16 \$529 LBX38
- 40 x 16 x 16 \$549 LBX40 ~ Best fit for the SB-140/SBDS-140

FEATURES

- All RMR Dry Boxes are hand-crafted in West Virginia by our experienced frame designer and craftsman. Each box is built with .080 Aluminum resulting in maximum durability and strength in a lightweight package. No hangers are required as each box has built-in tabs that rest on frame rails.
- Oversized Shipping Charges Apply

FREQUENTLY ASKED QUESTIONS

What are RMR Frames made of?

1 ¼" or 1 ½" Schedule 40 6063 T6 Anodized Aluminum with Hollaender Speed Rail Fittings and oar towers. Oar locks sold separately.

What boats do they fit?

Every RMR Frame is designed to fit a specific RMR raft or cat. Visit the 2021 RMR Catalog and Spec Sheet for the frame that fits your needs the best. If you have another brand raft, just ensure the width of the frame goes to the center of the tubes, or slightly wider, and the length fits on the flat section of the tubes.

What size oars should I buy?

The oars should be matched to the width of your frame. One formula is to take the measurements between each oar lock. Multiply by three. Then divide by two. This gives you a starting point.

Example; 60" between towers. $60" \times 3 = 180" / 180" \div 2 = 90" / 90" \div 12" = 7.5'$ oar length.

If the boat tubes are large (like a PhatCat) or you mainly run big volume rivers bump the size up to 8'. If you are using it for light loads and on smaller streams the 7.5' will work well.

There is a lot of personal preference in choosing an oar length. Below is another rough example

Distance between towers / Oar Length

48" to 58" - 8' oars

59" to 69" - 9' oars

70" to 80" - 10' oars

FRAME SEATS

Poly Deck

Poly Decks provide seating for passengers, and work even better for gear storage when combined with a drop bag. Throw an RMR Crash Pad on top and you've got yourself the most comfortable sun deck on the river.

Low-Back Tractor Seat

A padded and waterproof Low Back Foam Tractor Style Seat provides a powerful and comfortable rowing station.



Please visit www.rockymountainrafts.com
for online Owner's Manuals, Blogs, How-To Videos, FAQ's and more.





ROCKY MOUNTAIN RAFTS, LLC

2017 Main Street East
Oak Hill, WV 25901

P: 888-785-1844 — F: 888-243-5301