

# INSTRUCTION MANUAL

使用說明 / 使用说明

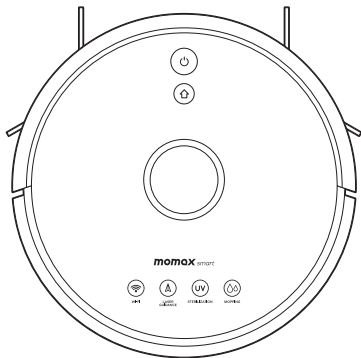
**momax** *smart*

## Elite-Cleanse

IoT UV-C Vacuum Robot

IoT 智能紫外光掃地吸塵機械人

IoT 智能紫外光扫地吸尘机械人

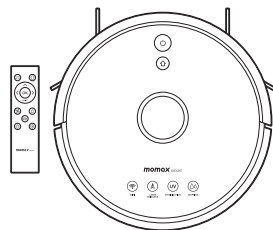


**RO55**

**Product Information** p.2 - 23

**產品資料** p.24 - 43

**产品资料** p.44 - 63



## Introduction

### IoT UV-C Vacuum Robot (RO5S)

This is a smart UV-C Vacuum Robot that make use of a high precision Laser Navigation Technology to scan the map of the room in 360°. Together with SLAM AI technology, it can easily create the map and clean your place. This product contains a 2-in-1 water tank which allows both wet mopping and vacuum cleaning with a UV-C sterilization at the bottom of the machine.

### Find "RO5S" in MOMAX's channel

[helpdesk.momaxsmart.com](https://helpdesk.momaxsmart.com)

Get step-by-step setup and support.

Watch the latest video tutorial to learn to setup and operate your RO5S.

Keep up to date with the latest updates.



## Quick Start Guide

### 1. Download 'MOMAX Smart' APP

Download "MOMAX Smart" from iOS App Store, Android Google Play Store or other platforms.

### 2. Register

Register an account and log in using your mobile number or email address.

### 3. Wireless Pairing

Click "+", then tap "MOMAX Smart Elite-Cleanse" to add device.

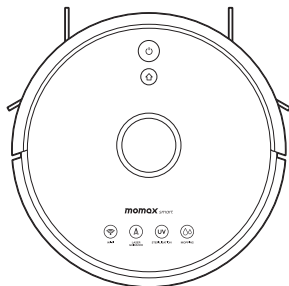
1. Please turn on the power of the machine.
2. Press and hold the power button and the home button together to enter pairing mode. You will see the indicator light blinking in purple.
3. Tap "Confirm indicator is blinking". Then, tap 'Next' to proceed.
4. A pop-up will appear requiring you to connect your device to Elite-Cleanse's Wi-Fi hotspot. Press "Go to Connect", and select "SmartLife - ####".
5. It will start adding the device.
  - The pairing process may take 2 minutes, please do not perform other operation.



### 4. Successfully connected

Once the connection is completed, you can edit the name of the machine.

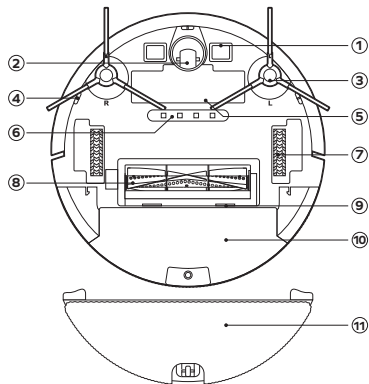
## Product Overview

### Top

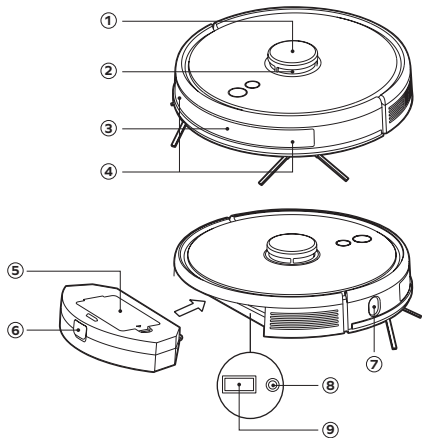


|   |   |
|---|---|
|    | <b>Sweep / ON &amp; OFF</b> <ul style="list-style-type: none"> <li>• Short press to start Sweep/Pause</li> <li>• Long press for 3s for ON/OFF</li> <li>• Long press for 15s for forced shutdown under abnormal circumstances</li> </ul> |
|    | <b>Recharging / local cleaning</b> <ul style="list-style-type: none"> <li>• Short press Recharge / Pause</li> <li>• Long press to start local cleaning</li> </ul>   |
| <b>Indicator Light</b> <ul style="list-style-type: none"> <li>• Blue : Normal operation or charging</li> <li>• Red : Abnormal condition or low battery</li> <li>• Purple : Equipment is not connected to the network</li> </ul> |   |
| <b>Reset Wi-Fi</b> <ul style="list-style-type: none"> <li>• Press two buttons simultaneously for 3s</li> </ul>  |   |

### Bottom

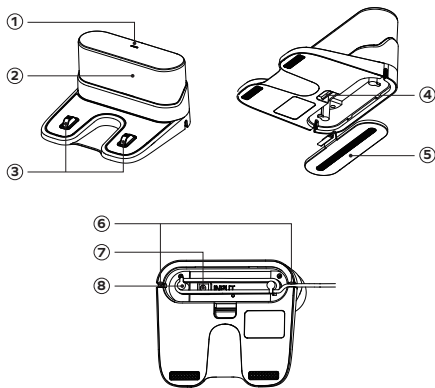


- |                     |   |
|---------------------|---|
| 1. Charging Contact | 7. Driving Wheel                          |
| 2. Universal Wheel  | 8. Rolling Brush                          |
| 3. Side Brush       | 9. Rolling Brush Cover Buckle             |
| 4. Anti-drop Sensor | 10. Dust Tank                             |
| 5. Battery Cover    | 11. 2 in 1 Electric-controlled Water Tank |
| 6. UV-C             |   |



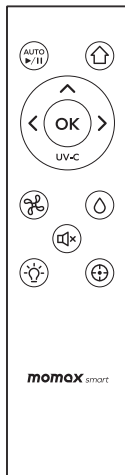
- |                                    |  |
|------------------------------------|--|
| 1. LDS Laser Ranging Senso         | 6. Dust Bin Button   |
| 2. Anti-collision sensor for radar | 7. Wall Sensor   |
| 3. Recharging Sensor               | 8. System Reset Button   |
| 4. Infrared Anti-collision Sensor  | 9. System Upgrade Port<br>(This port is only for professional use) |
| 5. Filter Screen Cover             |  |

## Charging Base



- |                          |                       |
|--------------------------|-----------------------|
| 1. Power Indicator Light | 5. Cover Plate        |
| 2. Singal Emission Area  | 6. Wire Slot          |
| 3. Charging Base Pins    | 7. Power Adapter Port |
| 4. Catching Groove       | 8. Wrapping Post      |

## Remote Control



|            |                             |
|------------|-----------------------------|
| AUTO<br>▶/ | Auto Cleaning Start/Pause   |
|            | Recharging Start/Pause      |
|            | Go Forward                  |
|            | Turn Left                   |
|            | Turn Right                  |
| UV-C       | Sterilization Mode          |
|            | Adjustment Of Suction Power |
|            | Adjustment Of Water Flow    |
|            | DND Mode ON/OFF             |
|            | Light ON/OFF                |
|            | Spot Cleaning Start/Pause   |

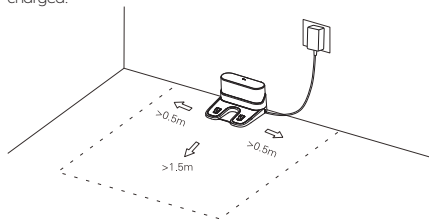
## Installation

### 1. Connect power line and feed the excess wire into the slot.

### 2. Place charging dock against the wall and connect the power.

Note:

- Ensure a space of above 0.5m on both sides of the charging dock and a space of above 1.5m in the front.
- If the power cable is vertical to the ground, it may be dragged by the host and consequently the charging base may be powered off.
- The charging indicator is normally on when powered on and off when charged.



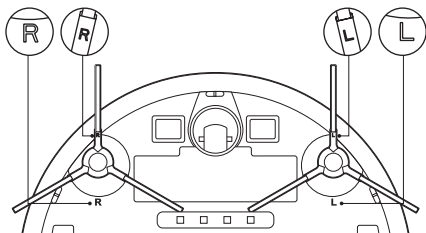
### 3. Please do not move the charging dock arbitrarily and keep it out of direct sunlight.

Note:

- If the charging dock is relocated, the host may fail in positioning and lose the map. When restarted, the host will rebuild and memorize the map and the rebuilt map may lose cleaning information of forbidden areas and other areas.
- Direct sunlight will interfere with recharging signal and consequently the host may be unable to return to the charging base.

#### 4. Installation of side brush

- Make the left side brush (L) and the right side brush (R) correspond to L and R on the bottom casing, press L and R and the side brushes are installed till you hear a “cracking” sound.



#### 5. Starting up and charging

- Long press the power button to switch on the robot. Charge the robot on charging dock until the power indicator light is turned on.

Note :if the machine cannot be started due to low battery, please charge the host on the charging dock and the machine will be started automatically. The machine can work normally only when the battery level is above 20%.

#### 6. Start Cleaning

- After the robot is powered on, short press the power button on the robot or use MOMAX Smart APP to start cleaning. (Press any button to pause during cleaning).

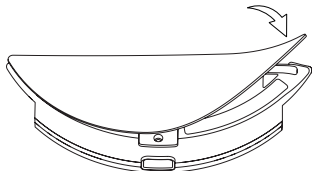
Note:

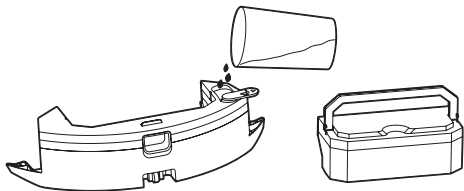
- The sweeping robot cannot be used to remove liquid.
- If the battery level is less than 20% , the machine cannot work. Please charge it.
- The machine will return to the charging base automatically if the battery level is less than 20% in use and will be powered off and start cleaning automatically after the battery level reaches 80%.
- Please clear various wires (including power line of charging base) on the ground before use so as to avoid outage and damage of objects or wires when they are dragged by the machine.

#### 7. Installation of mopping module

- Installation of mopping cloth: paste the mopping cloth flatly to the bottom of water tank.

Note : Please clean the mopping cloth after using to keep it in good cleaning condition.

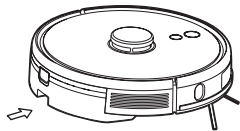




(2 in 1 electric-controlled water tank)  
please take out the dustbin by handle  
before fill with water.

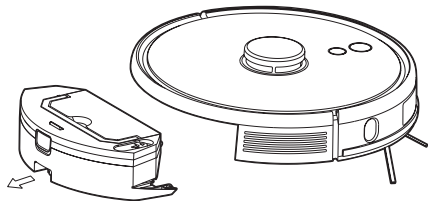


Please put the dustbin  
into the water tank and  
put the handle in the slot.



Press and hold the button in the middle  
of the tank and push it horizontally  
along the rear of the robot.  
The module is installed in place if you  
hear the sound of "Click".

- When the robot is finished working, press the button in the middle of the water tank to remove the mopping module backwards, empty the water in the tank and clean the mopping cloth.
- Do not move or turn the robot over during cleaning.



## 8. Instructions for mopping module

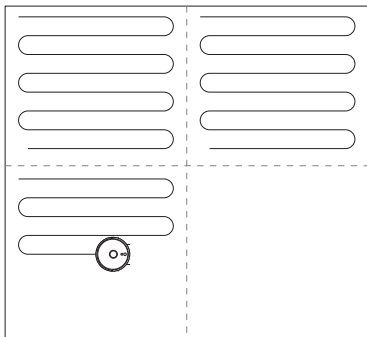
- Please do not use the mopping module when the appliance is unattended.
- For the sake of safety, please be sure to remove the mopping module when it is being charged or left unused.
- Please do not mop the carpet. Set a forbidden area in APP to prevent the machine from entering the carpet.
- Mopping function of the machine is intended for gentle wiping and cleaning. It cannot remove tough stain effectively and replace thorough cleaning process.



## Function

### Cleaning mode:

- After the robot is powered on, it will scan and generate the map and divide it into areas intelligently. Then sweep the areas one by one along the wall orderly, efficiently and will plan the cleaning route in a “S” shape.
- The robot will return to the charging base automatically after cleaning.



### Spot cleaning:

- When a certain area needs an intensive sweep, the user can specify a point on the map in APP, the machine will automatically drive to that location, take the point as the center and clean within an 1.5m x 1.5m area.

### Partial cleaning:

- When the robot cannot be controlled by the mobile APP, please bring the robot to the place you want to clean. Long press the “Home” button for 3 seconds, and the robot will clean the surrounding 2m x 2m area twice automatically.

### User-defined area cleaning:

- Use the mobile APP to set the size and location of the area you want to clean. You can set one or more areas. The robot would clean according to the areas you set.

### Restricted area:

- Set one or more forbidden areas using Momax Smart APP. The robot will not sweep forbidden areas but other areas.

### Note:

- The robot may intrude into the restricted area due to positioning errors, abnormal sensors and other reasons.
- The restricted zone may be mistaken due to the big change of the position of the charging seat and furniture. Therefore, please try not to move or interfere with the robot during cleaning.
- The restricted area would be lost when the map is rebuilt.

### Schedule cleaning:

- Schedule cleaning can be set by Momax Smart APP. The robot will start cleaning automatically at the appointed time and return to the charging base after cleaning.

## Maintenance

Ensure the machine is unplugged before maintenance.

### 1. Cleaning Rolling Brush

- Turn over the machine and press the buckle on the Rolling brush cover to take out the Rolling brush.
- Remove dust outside and inside the Rolling brush using tiny brush and clean the Rolling brush.
- Reassemble the Rolling brush and the cover to the machine.

### 2. Cleaning Side brushes

- Turn over the machine and pull out the side brush upwards.
- Remove hair and dirt and reassemble the side brush.
- Replace the side brushes if they are damaged.

### 3. Cleaning Dust box

- Press the button and pull out the dustbin backward.
- Open and clean dust bin

### 4. Cleaning Filter screen

- After a long time usage, remove the filter gauze, sponge and HEPA.
- Clean the removed filter gauze, sponge and HEPA under water.
- Shake off the water drops and dry it naturally, then use it after completely dried.
- Install them back to the dust box.

### 5. Cleaning Mopping module (clean it every time after use)

- Remove the mop, pour out the water from the water tank.
- Clean the mop, dry it and the water tank.

### 6. Cleaning sensors and charging contacts

- Clean all sensors, including charging contacts on the dock with a soft dry cloth monthly.

## Specification

|  |                                    |
|--|------------------------------------|
| Model No.                                    | : RO5S                             |
| Battery type                                 | : 5200mAh Li-ion battery           |
| Rated voltage                                | : 14.4V                            |
| Power  | : 50W                              |
| Dust tank volume                             | : 600ml                            |
| 2-in-1 electric-controlled water tank volume | : 350ml (Dust),<br>300ml (Water)   |
| Filter                                       | : HEPA G3                          |
| Suction force                                | : 600Pa / 1200Pa / 2500Pa / 3000Pa |
| Noise Level                                  | : ≤72dB                            |
| Working time                                 | : 120 - 320mins                    |
| Mopping duration                             | : 50mins / 70mins / 90mins         |
| Obstacle crossing                            | : 18mm                             |
| Effective area                               | : 120 - 320m <sup>2</sup>          |
| Charge duration                              | : 6Hr                              |
| Navigation System                            | : LDS laser navigation system      |
| Wireless WiFi frequency                      | : 2.4GHz                           |
| Size   | : 350 x 350 x 100mm                |
| Weight                                       | : 3.6kg                            |
| Charging dock size                           | : 160 x 145 x 94mm                 |
| Cable Length                                 | : 1.5m                             |

## Contains

- Elite-Cleanse IoT UV-C Vacuum Robot
- Charging dock
- 2-in-1 electric-controlled water tank
- Side brush 4pcs.
- Roll brush 1pc.
- HEPA and sponge filter (1 set)
- Mopping cloth 2pcs.
- Cleaning brush 1pc.
- Instruction Manual and Warranty Card

## Warnings

### Points for attention

Before using, please read this user manual carefully and keep it for future reference.

1. The product is intended for floor cleaning in a home environment only and cannot be used in outdoor (such as open terrace), non-ground (such as sofa) and commercial or industrial environment.
2. Please do not use the product in raised areas without protective fence.
3. Please do not use the product at a temperature of above 40°C or below 0°C or when there are sticky substances on the ground.
4. Please hang cables on the ground before use so as to avoid being dragged by the host.
5. Please clear fragile objects and impurities (such as vase and plastic bag, etc.) on the ground so as to avoid damaging valuables when the host is stuck or impacted slightly.
6. This appliance can only be used by children aged over 8 years. Children cannot play with the appliance. Persons with reduced physical, sensory or mental capabilities or lack of experience and knowledge can only use under adequate supervision and when he/she is given safety instruction concerning the use of appliance in a safe way and understand the potential hazards involved.
7. Cleaning and user maintenance shall not be made by children without supervision.
8. Please keep the main brush and other cleaning tools out of reach of children.
9. Please do not place objects (including children and pets) on a stationary or moving machine.
10. Please keep hair, fingers and other parts of human body or pets away from the suction inlet when the machine is working.
11. Please do not use the product to sweep burning objects (such as burning cigarette butt).
12. Please do not use the product to clean hairy carpet (some dark carpets may not be cleaned normally).
13. Please prevent the host from suctioning hard or sharp objects (such as renovation waste, glass and iron nails, etc.).
14. Please do not move the machine by holding the protective cover of laser distance sensor and collision bumper.
15. Please clean or maintain the appliance and the charging dock only when the robot is shutdown and is in power-off state. The adaptor must be removed from the socket-outlet before cleaning or maintaining the appliance.
16. Please use the product according to User Manual. User should be responsible for any damages and injuries caused by improper use.
17. Please do not use mopping function for carpet and furniture top.
18. Please be sure to remove the water tank when the machine is being charged.
19. If the power cable is damaged or broken, please stop using it immediately and replace it by the manufacturer or a qualified person.
20. The appliance is only to be used with the power supply unit provided with the appliance.
21. For the purpose of recharging the battery, only use the detachable supply unit (Model: NLD100240W1E4) provided with this appliance.



22. This appliance contains batteries that are only replaceable by skilled persons.
23. Please do not use battery, charging dock or charger provided by any third parties.
24. Please do not dismantle, report or refit battery or charging dock arbitrarily.
25. Please keep the charging base away from heat source.

#### UV and Laser Safety Information

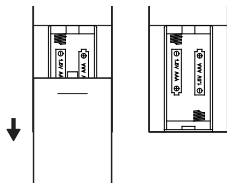
- Laser distance sensor of the product complies with the standard for class 1 laser products of IEC60825 and does not produce dangerous laser radiation.
- Laser class I EC-60825 Class 1.
- The maximum laser output power of the product 10mW.
- Laser head Pulse time (1/2300) s.
- Invisible laser radiation.
- Laser energy-Expose re near aperture may cay cause burns.
- Standard : IEC 60825-1:2014.
- **WARNING** — This appliance contains a UV emitter. Do not stare at the light source.

#### Remote Control :

1. Please only use 2pcs AAA battery for the remote control
2. Non-rechargeable batteries are not to be recharged
3. Different types of batteries or new and used batteries are not to be mixed
4. Batteries are to be inserted with the correct polarity
5. Exhausted batteries are to be removed from the appliance and safely disposed
6. If the appliance is to be stored unused for a long period, the batteries are removed
7. The supply terminals are not to be short-circuited.

#### Replacing remote control battery :

1. Press and push down to open the remote battery door
2. Remove old AAA batteries
3. Replace with 2pcs new AAA batteries
4. Press and push up the remote battery door to close it



## Service Agreement of Smart Mobile Application Platform

Please reference Mobile Apps content: Before accepting the Agreement, you are supposed to thoroughly read all the contents of the Agreement, and fully understand its terms, especially restrictive clauses or exceptions and Privacy Notice. Restrictive clauses or exceptions are bold or highlighted in other forms to catch your attention. In case of any doubt about the terms of the Agreement, please contact the relevant business department of Tuya. You are not allowed to use the service before you have read and accepted all the terms of the Agreement, relevant agreements, and rules, etc. Once you select “agree and submit the Agreement” (see registration page for detailed wordings) and complete the registration procedure, or you use the service in any form, it will be deemed that you have read and agreed with the restriction of the Agreement and rules above. In case of any breach of the Agreement, Tuya has the right to unilaterally restrict, suspend or terminate the service for you, and has the right to investigate your relevant responsibilities.

## Disposal of Electronic Products

1. Do not place the product as household waste;
2. Please dispose of discarded electronic products properly according to local regulations;
3. MOMAX encourages you to participate in the electronic recycling program.

## Warranty Conditions

1. For any defect, in the judgment of our technician, caused under normal use, we are responsible for repairing free of charge 12 months commencing from the date of purchase at the discretion of our company;
2. A valid warranty card and original purchase invoice must be presented upon request of warranty service;
3. This warranty card shall not apply to the product if:
  - (a) It is consumable part(s), such as Filter, or;
  - (b) it has explicitly modified or repaired in any way by persons other than technicians of this company, or;
  - (c) it has been damaged through misuse, malicious acts, negligence, the inflow of any liquid, or;
  - (d) losses or damages are caused by force majeure or natural disasters.
4. No alteration to this warranty card will be allowed;
5. The warranty terms and conditions are subject to change without prior notice;
6. Please retain your proof of purchase for warranty service;
7. Please consult the dealer about the product compatibility with your cell phone/ PDA before purchase. Product specifications are subject to change without prior notice;
8. Please visit [www.momax.net](http://www.momax.net) for the latest product information.

## 簡介

### IoT 智能紫外光掃地吸塵機械人 (RO5S)

本產品是一款智能UV-C掃地吸塵機械人，利用高精度激光導航技術360°掃瞄房間地圖。結合SLAM AI技術，它可以輕鬆創建地圖並清理你的地方。該產品包含一個2合1水箱，可以讓機器進行濕拖和吸塵，並連同機器底部的UV-C燈進行殺菌消毒。

搜尋“RO5S” in [helpdesk.momaxsmart.com](https://helpdesk.momaxsmart.com)

獲取有關設定和支援。

觀看最新的視頻教學，學習設置和操作您的 RO5S。

隨時了解最新資訊。



## 快速入門指南

### 1. 下載“MOMAX Smart”應用程式

從iOS App Store、安卓、Google Play Store或其他平台下載“MOMAX Smart”應用程式。

### 2. 註冊

註冊一個帳戶，然後使用您的手機號碼或電子郵件地址登錄。

### 3. 無線配對

按“+”（添加設備），選取“MOMAX Smart 智能紫外光掃地吸塵機械人”以添加設備。

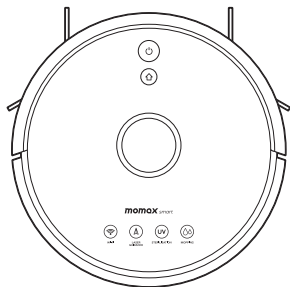
1. 請打開機器電源。
2. 同時按住開機鍵和Home鍵進入配對模式。你將看到指示燈呈紫色閃爍。
3. 點擊“確認指示燈閃爍”。然後，點擊“下一步”繼續。
4. 一個窗口會彈出來，要求你將設備連接到Elite-Cleanse的Wi-Fi熱點。按“去連接”，然後選擇“SmartLife - #####”。
5. 它將開始添加設備。
  - 搜索過程可能需要兩分鐘。請在此期間不要執行任何操作。



### 4. 成功連接

如果配對成功，你會在應用程式中看到本產品的圖標。你可以修改此RO5S的名稱。確保設備已連接，結果將發送到手機的應用程式。

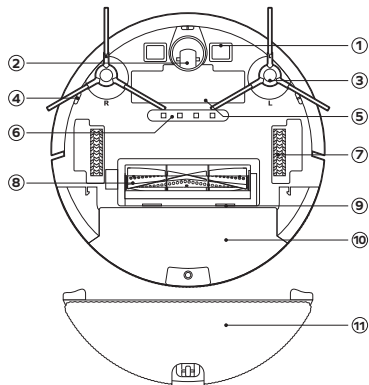
## 產品總覽

### 頂部

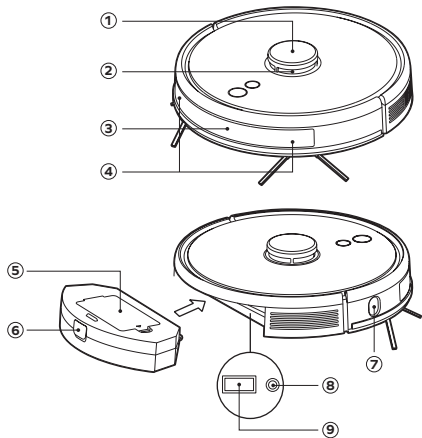


|   |  |
|---|--|
|  | <b>清掃/開關機</b> <ul style="list-style-type: none"><li>短按啟動清掃/暫停</li><li>長按3秒開機/關機</li><li>非正常情況下，長按15秒強制關機</li></ul> |
|  | <b>回充/局部清掃</b> <ul style="list-style-type: none"><li>短按回到充電座充電/暫停</li><li>長按啟動局部清掃</li></ul>                       |
| <b>指示燈</b> <p>藍色：正常工作或充電<br/>紅色：異常狀態或低電量<br/>紫色：設備未連接網絡</p>                       |  |
| <b>重置WiFi</b> <ul style="list-style-type: none"><li>兩個按鍵同時按住3秒</li></ul>          |  |

### 底部

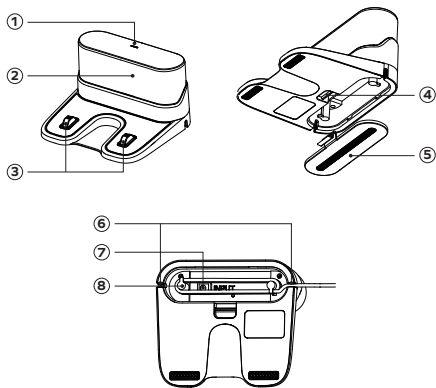


1. 充電觸點
2. 方向輪
3. 邊刷
4. 防掉落感應器
5. 電池蓋
6. UV-C燈
7. 主輪
8. 滾刷
9. 滾刷罩卡扣
10. 塵箱
11. 2合1水箱（附抹布）



- |             |           |
|-------------|-----------|
| 1. 鐳射測距感應器  | 6. 塵盒按鈕   |
| 2. 雷達防撞感應器  | 7. 牆壁感應器  |
| 3. 回充感應器    | 8. 系統重置鍵  |
| 4. 紅外線防撞感應器 | 9. 系統復位端口 |
| 5. 濾網蓋      |           |

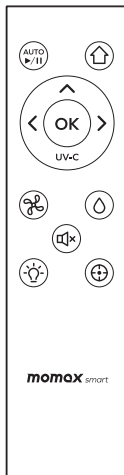
## 充電座



- |          |         |
|----------|---------|
| 1. 電源指示燈 | 5. 蓋板   |
| 2. 信號發射區 | 6. 出線槽  |
| 3. 充電彈片  | 7. 電源接口 |
| 4. 扣手槽   | 8. 繞線柱  |



遙控器：



|      |           |
|------|-----------|
|      | 自動清潔開始/暫停 |
|      | 回充開始/暫停   |
|      | 前行        |
|      | 左轉彎       |
|      | 右轉彎       |
| UV-C | UV-C 紫外線  |
|      | 吸力調節      |
|      | 殺菌模式      |
|      | 靜音模式開/關   |
|      | 指示燈開/關    |
|      | 水量調節      |

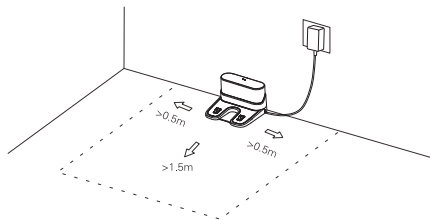
## 快速入門指南

### 1. 連接電源線，將多餘的線材收入線槽

### 2. 在平整地面靠牆放置充電座，連接電源

注意：

- 確保充電座兩側有0.5米以上，前方1.5米以上的空間。
- 如果電源線垂直於地面可能會被主機拖拽，引起充電座斷電。
- 充電指示燈通電時常亮。



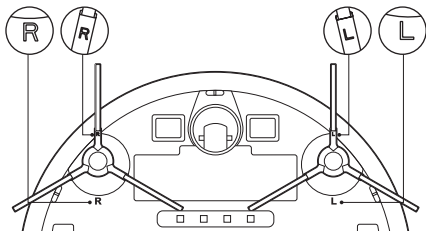
### 3. 請勿隨意移動充電座，避免陽光直射充電座

注意：

- 如果充電位置改變，主機可能會定位失敗丟失地圖，再次工作時，主機將重新建立和記憶地圖，重新建圖可能導致禁區和區域清掃信息丟失。
- 陽光照射會對回充信號造成干擾，可能會造成主機無法返回充電座。

#### 4. 安裝邊刷

- 將左邊刷(L)、右邊刷(R)與底殼上字母L、R分別對應，往下按聽到卡聲即表示安裝到位。



#### 5. 開機並充電

- 長按開機鍵開機，等待指示燈亮起之後將主機放在充電器上充電。

注意：電量不足無法開機，請將主機放在充電座上，設備會自動開機，設備電量多過20%才可正常工作。

#### 6. 開始清潔

- 開機後，短按主機開機鍵，或者使用手機APP開始清潔(清潔時按任意鍵暫停)。

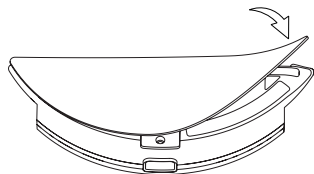
注意：

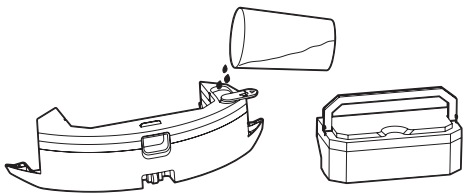
- 掃地機器人不可以用於清掃液體。
- 如電量低於20%將無法執行清潔任務，請先充電再繼續清掃。
- 當清掃過程中電量低於20%時，設備將自動返回充電座充電，電量達到80%後，將自動開始清掃。
- 請在清掃前將地上的各類線材(包括充電座的電源線)整理好，避免主機清掃時拖拽引起電器斷電、物品或線材損壞。

#### 7. 安裝拖地模塊

- 安裝抹布：將抹布平整貼在水箱底部上。

注意：建議每次使用後清洗一次抹布，保證清潔效果。

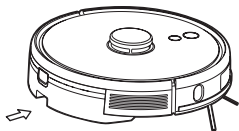




先提起把手，將塵盒從水箱中取出，然後裝水。

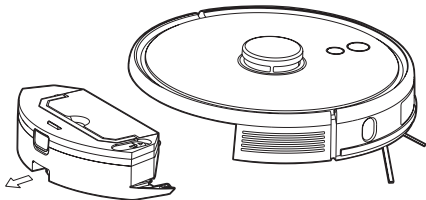


將塵盒裝入水箱中，並將把手放平。



按住水箱中間的按鈕沿着主機後部水平推入，聽到“卡”聲即表示安裝到位。

- 當主機完成工作後，按住水箱中間的按鈕，向後移除2合1水箱，將水箱中的水倒乾淨，清潔抹布。
- 機器運行時請勿移動或翻轉主機。



## 8. 拖地模塊使用說明

- 開機後，短按主機開機鍵，或者使用手機APP開始清潔(清潔時按任意鍵暫停)。

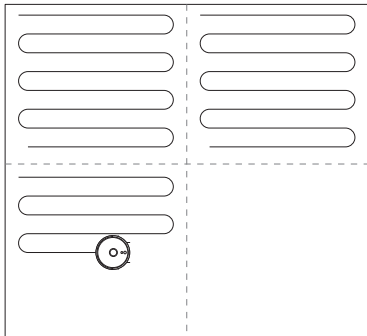
注意：

- 請勿在家中無人時使用拖地模塊。
- 為安全起見，充電或不使用時請務必移除拖地模塊。
- 請勿在地毯上使用拖地功能。可通過在APP上設置禁區的方式避免設備進入地毯。
- 設備的拖地功能僅具有擦拭效果，有助於深度清潔，但不能有效清除頑固污漬及完全代替人手清潔。

## 功能

### 清掃模式：

- 啟動後，主機將掃描生成地圖，並進行智能分區。在分區內會采用先沿牆清掃，後弓字形填充的方式規劃清掃路徑，逐一完成各分區的清掃。
- 清掃結束後設備會自動返回充電座充電。



### 定點清掃：

- 當某個局部地區需要深度清掃時，用戶在APP上指定地圖上的某點，機器會自動行駛到該點附近，以該點為中心，在1.5m x 1.5m範圍內清掃。

### 局部清掃：

- 當無法通過手機APP控制時，可以手動把機器搬到需要清掃的區域，長按回充鍵3秒，機器會以自身為中心，在2m x 2m範圍內清掃2次。

### 自定義區域清掃：

- 使用手機APP設置需要清掃的區域大小和位置，可以設置一個或者多個區域。主機將按照設置的區域進行清掃。

### 清掃禁區：

- 使用手機APP可以設置一個或多個禁區。設為禁區後主機將不會進入該區域，而對其他區域則繼續進行清掃。

注意：

- 機器可能會因為定位錯誤、傳感器異常等原因進入禁區。
- 禁區可能會因為充電座及家具位置的改變較大而失效，所以設備運作中請不要搬動或干涉機器。
- 重新建圖會丟失禁區的設置。

### 預約清掃：

- 使用手機APP可以設置預約清掃時間，主機將在指定時間自動開始清掃，並在清掃結束後返回充電座充電。

## 保養

保養前，請確保拔除電源插頭。

### 1. 清潔滾刷

- 翻轉機器按住滾刷罩上的卡扣取出滾刷。
- 用配套的清潔工具清掃掉滾刷和腔內的灰塵，然後清理滾刷上的纏繞物。
- 裝回滾刷並壓緊滾刷罩固定卡扣。

### 2. 清潔邊刷

- 翻轉機器向上，垂直拔出邊刷。
- 清理纏繞的毛髮和污垢後裝回。
- 如邊刷有損壞請更換。

### 3. 清潔塵盒

- 按住塵盒按鈕向後抽出塵盒。
- 打開塵盒倒出垃圾。

### 4. 清潔濾網

- 在長時間使用後，取下過濾紗網、過濾海綿、HEPA濾網。
- 用水清洗以上部件。
- 清洗後用乾水珠，晾乾濾網和塵盒，等到徹底晾乾後才可以使用。
- 裝回塵盒組件。

### 5. 清潔拖地組件 (建議每次清理)

- 從拖地組件上移除抹布，將水箱的水倒乾淨。
- 清潔抹布，將水箱和抹布晾乾，等待下次使用。

### 6. 清潔感應器和充電觸點

- 每個月使用柔軟的乾布清潔所有感應器及充電觸點。

## 產品規格

|         |                                    |
|---------|------------------------------------|
| 型號      | : RO5S                             |
| 電池種類    | : 5200mAh Li-ion battery           |
| 額定電壓    | : 14.4V                            |
| 功率      | : 50W                              |
| 塵箱容量    | : 600ml                            |
| 二合一水箱容量 | : 350ml (塵), 300ml (水)             |
| 濾網      | : HEPA G3                          |
| 吸力      | : 600Pa / 1200Pa / 2500Pa / 3000Pa |
| 噪音      | : ≤72dB                            |
| 工作時間    | : 120 - 320分鐘                      |
| 濕拖續航    | : 50mins / 70mins / 90mins         |
| 越障能力    | : 18mm                             |
| 有效面積    | : 120 - 320m <sup>2</sup>          |
| 充電時間    | : 6小時                              |
| 導航系統    | : LDS 激光導航                         |
| 無線頻率    | : 2.4GHz                           |
| 尺寸      | : 350 x 350 x 100mm                |
| 重量      | : 3.6kg                            |
| 充電底座尺寸  | : 160 x 145 x 94mm                 |
| 線長      | : 1.5m                             |

### 包裝內容

- Elite-Cleanse智能紫外光掃地吸塵機械人
- 充電底座
- 二合一水箱
- 邊刷4個
- 滾刷1個
- HEPA與海綿濾網1套
- 拖布2塊
- 清潔刷1個
- 使用說明書及保用證

## 注意事項

使用前，請仔細閱讀本用戶手冊，並妥善保存以備將來參考。

1. 本產品僅用於家居環境的地面清潔，請勿用於室外(如開放式陽台)、非地面(如沙發)、商用或工業環境。
2. 請勿在懸空環境(如複式樓層、開放式陽台、家具頂端)沒有防護欄的前提下使用。
3. 請勿在高於40°C、低於0°C或地面有任何液體及黏稠物的環境下使用。
4. 使用前請先將家中地面電線掛起，避免主機運行時拖拽電線。
5. 請收起地面上的易碎物品及雜物(如花瓶、塑料袋等)，避免主機在運行中受阻或輕微碰撞導致家中的貴重物品損壞。
6. 請勿讓兒童或身體、精神或感知能力有障礙的人使用或操作本產品。
7. 請勿在無人看管的情況下由兒童進行清潔及保養。
8. 請勿將清潔刷放置在兒童可以觸摸到的區域。
9. 請勿將任何東西(包括兒童及寵物)放置於靜止或運行的機器上。
10. 請勿在機器運作時，讓人體或寵物的毛髮、手指等部位靠近機器吸塵口。
11. 請勿用於清掃燃燒中的物體(如未熄滅的煙頭)。
12. 請勿用於清掃長毛地毯(部份深色地毯可能無法正常清掃)。
13. 請勿讓主機吸取硬物或尖銳物體(如裝修廢料、玻璃、鐵釘等)。
14. 請勿將激光測距感應器保護蓋及保險杠作為提手搬運機器。
15. 請在關機或斷電狀態下清潔或保養主機及充電座。清潔或保養前要先將充電器從電源插座上拔下。
16. 請依照說明書的指示使用產品，因不當使用導致的任何損失和傷害，由用戶自行承擔。
17. 請勿在地毯上、家具頂部使用拖地功能。
18. 充電時請務必取下水箱。
19. 如電源線有損壞，請立即停用該設備，並由專業人士進行替換。
20. 本產品只能使用原裝提供的電源供應設備。

21. 本產品只能使用原裝提供的(型號：NLD100240W1E4)充電器來幫本產品充電。
22. 本產品內置電池只可由專業人士進行更換。
23. 請勿使用任何第三方電池，充電座或充電器。
24. 請勿私自拆解、修理或改裝電池和充電座。
25. 請勿將充電座放置在熱源附近。



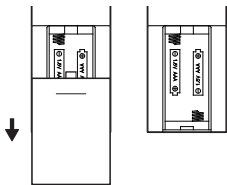
## 紫外線和激光安全信息

- 產品的激光測距傳感器符合IEC60825 1類激光產品標準，不會產生危險的激光輻射。
- 激光等級 I EC-60825 等級 1。
- 產品最大激光輸出功率10mW。
- 激光頭脈衝時間(1/2300) s。
- 不可見的激光輻射。
- 激光能量-在光圈附近曝光可能會導致灼傷。
- 標準：IEC 60825-1:2014。
- 警告—本設備包含一個紫外線發射器。不要盯著光源。

## 遙控器使用方法

1. 本產品遙控器只能使用2個AAA電池
2. 不要把一次性使用電池拿去充電
3. 不要把不同種類或把新和舊的電池混在一起使用
4. 安裝時要確保電池極性安裝正確
5. 電池耗盡時要把電池從產品上取下並安全棄置
6. 如產品將長時間不需使用，請把電池取下
7. 請不要把電源輸入端短路

## 遙控器電池取下方法



1. 按遙控器電池門並壓下推開遙控器電池門。
2. 取下舊的AAA 電池。
3. 換上兩顆新的AAA 電池。
4. 按遙控器電池門並推上就便能關上遙控器電池門。

## 智能移動應用平台服務協議

請參考移動應用程式內容：在接受本協議之前請您務必仔細閱讀本協議的移動應用程式全部內容，充分理解條款內容，特別是限制及免責條款。限製或免除責任條款，私隱聲明，將以加粗或其他醒目形式提示您注意。如果您對本協議的條款有疑問的，請聯繫相關業務部門進行詢問。除非您已閱讀並接受本協議及相關協議、規則等所有條款，否則，您無權使用本服務。一旦您選“同意協議並提交”（具體措辭詳見註冊頁面）並完成註冊流程，或您以任何方式使用本服務，即視為您已閱讀並同意上述協議、規則等的約束。如您有違反本協議的任何行為時，智能生活有權根據您違反的情況隨時單方採取限制、中止或終止向您提供服務等措施，並有權追究您相關責任。

## 如何處理廢棄電子產品

1. 請勿將電子產品當成家庭廢棄物丟棄；
2. 請依當地的法例規定處理廢棄的電子產品；
3. MOMAX鼓勵您積極參與電子產品回收計劃。

## 保養條款

1. 由購買日期起12個月內，如產品有損壞或故障，經本公司技術人員證實為在正常使用之情況下發生，本公司將提供免費維修服務；
2. 維修時必須出示本保用證及購買商號之發票正本，如果用戶不能提供，本公司有權不提供維修服務。用戶可能需要支付相關維修費用；
3. 保用期內，出現以下條款產品保用證自動失效：
  - (a) 是可消耗的部件，例如過濾網；
  - (b) 非本公司人員恣意拆解或維修產品之任何部分；
  - (c) 錯誤的操作如：非法接駁電源，以及水、污穢物滲入產品內導致產品損；
  - (d) 不可抗拒意外事件或天然災害導致產品損壞；
4. 此保用證如經塗改，保用證自動失效；
5. 本公司有權增刪任何維修及保用條款而不作通知；
6. 如因錯誤使用本公司產品而導致手提電話或其他電子產品有任何損壞，本公司不會承擔任何責任；
7. 有關 MOMAX 原裝產品和您的手機或電子產品的相容性，請在購買時向經銷商確認。此產品規格隨時可能變更，恕不另行通告；
8. 請瀏覽 [www.momax.net](http://www.momax.net) 瞭解最新產品資訊。

## 简介

### IoT 智能紫外光扫地吸尘机械人 (RO5S)

本产品是一款智能UV-C扫地吸尘机械人，利用高精度激光导航技术360°扫描房间地图。结合SLAM AI技术，它可以轻松创建地图并清理你的地方。该产品包含一个2合1水箱，可以让机器进行湿拖和吸尘，并连同机器底部的UV-C灯进行杀菌消毒。

搜寻“RO5S” in [helpdesk.momaxsmart.com](https://helpdesk.momaxsmart.com)

获取有关设定和支援。

观看最新的视频教学，学习设置和操作您的 RO5S。

随时了解最新资讯。



## 快速入门指南

### 1. 下载“MOMAX Smart”应用程序

从iOS App Store、安卓、Google Play Store或其他平台下载“MOMAX Smart”应用程序。

### 2. 注册

注册一个帐户，然后使用您的手机号码或电子邮件地址登录。

### 3. 无线配对

按“+”（添加设备），选取“MOMAX Smart 智能紫外光扫地吸尘机械人”以添加设备。

1. 请打开机器电源。
2. 同时按住开机键和Home键进入配对模式。你将看到指示灯呈紫色闪烁。
3. 点击“确认指示灯闪烁”。然后，点击“下一步”继续。
4. 一个窗口会弹出来，要求你将设备连接到Elite-Cleanse的Wi-Fi热点。按“去连接”，然后选择“SmartLife - ####”。
5. 它将开始添加设备。
  - 搜索过程可能需要两分钟。请在此期间不要进行任何操作。

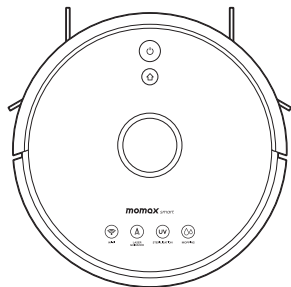
### 4. 成功连接



如果配对成功，你会在应用程序中看到本产品的图标。你可以修改此RO5S的名称。确保设备已连接，结果将发送到手机的应用程式。



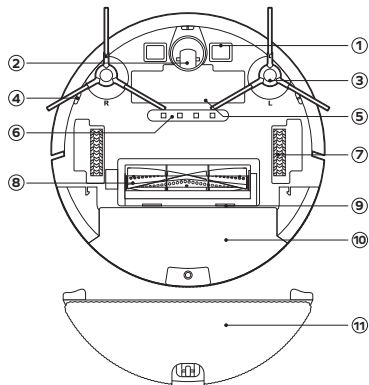
## 产品总览

### 顶部

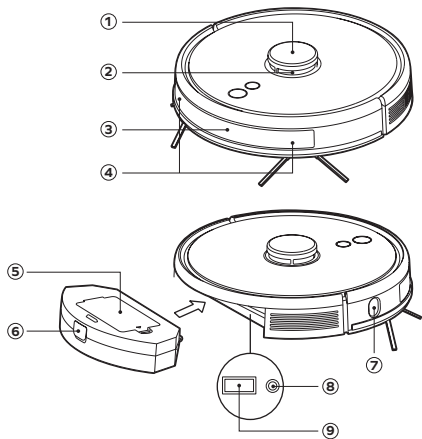


|  |   |
|--|---|
|             | <p><b>清扫/开关机</b></p> <ul style="list-style-type: none"> <li>• 短按启动清扫/暂停</li> <li>• 长按3秒开机/关机</li> <li>• 非正常情况下·长按15秒强制关机</li> </ul> |
|             | <p><b>回充/局部清扫</b></p> <ul style="list-style-type: none"> <li>• 短按回到充电座充电/暂停</li> <li>• 长按启动局部清扫</li> </ul>                          |
| <p><b>指示灯</b></p> <p>蓝色：正常工作或充电<br/>             红色：异常状态或低电量<br/>             紫色：设备未连接网络</p> |   |
| <p><b>重置WiFi</b></p> <ul style="list-style-type: none"> <li>• 两个按键同时按住3秒</li> </ul>          |   |

### 底部

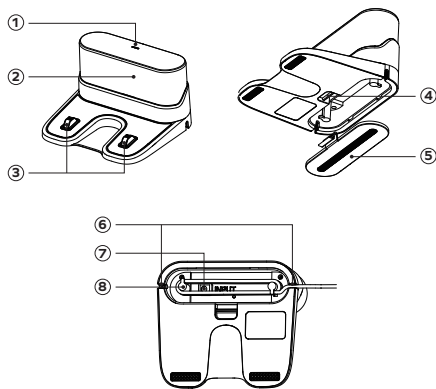


- |           |                |
|-----------|----------------|
| 1. 充电触点   | 7. 主轮          |
| 2. 方向轮    | 8. 滚刷          |
| 3. 边刷     | 9. 滚刷罩卡扣       |
| 4. 防掉落感应器 | 10. 尘箱         |
| 5. 电池盖    | 11. 2合1水箱（附抹布） |
| 6. UV-C灯  |                |



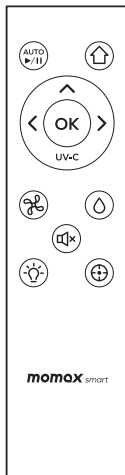
- |             |           |
|-------------|-----------|
| 1. 辐射测距应感器  | 6. 尘盒按钮   |
| 2. 雷达防撞应感器  | 7. 墙壁感应器  |
| 3. 回充应感器    | 8. 系统重置键  |
| 4. 红外线防撞应感器 | 9. 系统复位端口 |
| 5. 滤网盖      |           |

## 充电座



- |          |         |
|----------|---------|
| 1. 电源指示灯 | 5. 盖板   |
| 2. 信号发射区 | 6. 出线槽  |
| 3. 充电弹片  | 7. 电源接口 |
| 4. 扣手槽   | 8. 绕线柱  |

遙控器：



|      |           |
|------|-----------|
|      | 自动清洁开始/暂停 |
|      | 回充开始/暂停   |
|      | 前行        |
|      | 左转弯       |
|      | 右转弯       |
| UV-C | UV-C 紫外线  |
|      | 吸力调节      |
|      | 杀菌模式      |
|      | 静音模式开/关   |
|      | 指示灯开/关    |
|      | 水量调节      |

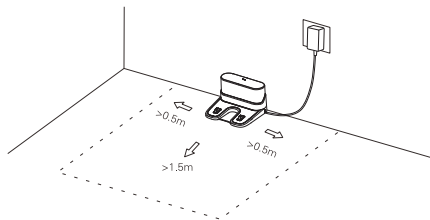
## 快速入門指南

### 1. 連接電源線，將多餘的線材收入線槽

### 2. 在平整地面靠牆放置充電座，連接電源

注意：

- 確保充電座兩側有0.5米以上，前方1.5米以上的空間。
- 如果電源線垂直於地面可能會被主機拖拽，引起充電座斷電。
- 充電指示燈通電時常亮。



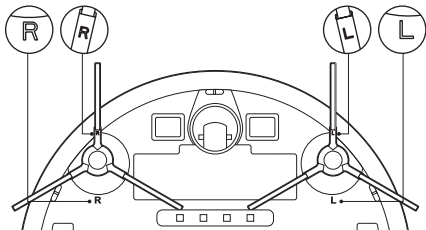
### 3. 請勿隨意移動充電座，避免陽光直射充電座

注意：

- 如果充電位置改變，主機可能會定位失敗丟失地圖，再次工作時，主機將重新建立和記憶地圖，重新建圖可能導致禁區和區域清掃信息丟失。
- 陽光照射會對回充信號造成干擾，可能會造成主機無法返回充電座。

#### 4. 安裝邊刷

- 將左邊刷(L)、右邊刷(R)與底殼上字母L、R分別對應，往下按聽到卡聲即表示安裝到位



#### 5. 開機並充電

- 長按開機鍵開機，等待指示燈亮起之後將主機放在充電器上充電。

注意：電量不足無法開機，請將主機放在充電座上，設備會自動開機，設備電量多過20%才可正常工作。

#### 6. 開始清潔

- 開機後，短按主機開機鍵，或者使用手機APP開始清潔(清潔時按任意鍵暫停)。

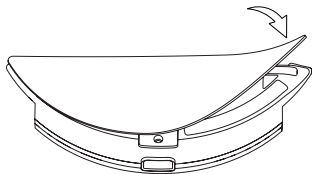
注意：

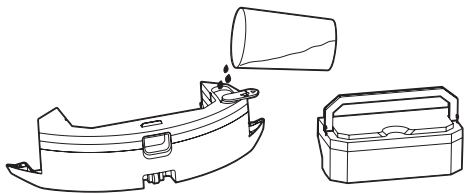
- 掃地機器人不可以用於清掃液體。
- 如電量低於20%將無法執行清潔任務，請先充電再繼續清掃。
- 當清掃過程中電量低於20%時，設備將自動返回充電座充電，電量達到80%後，將自動開始清掃。
- 請在清掃前將地上的各類線材(包括充電座的電源線)整理好，避免主機清掃時拖拽引起電器斷電、物品或線材損壞。

#### 7. 安裝拖地模塊

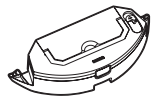
- 安裝抹布：將抹布平整貼在水箱底部上。

注意：建議每次使用後清洗一次抹布，保證清潔效果。

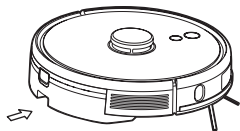




先提起把手，將塵盒從水箱中取出，然後裝水。

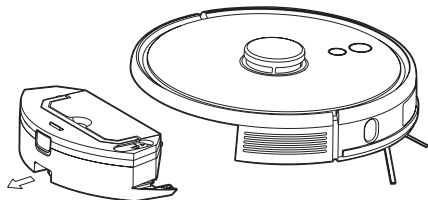


將塵盒裝入水箱中，並將把手放平。



按住水箱中間的按鈕沿著主機後部水平推入，聽到“卡”聲即表示安裝到位。

- 當主機完成工作後，按住水箱中間的按鈕，向後移除2合1水箱，將水箱中的水倒乾淨，清潔抹布。
- 機器運行時請勿移動或翻轉主機。



## 8. 拖地模塊使用說明

- 開機後，短按主機開機鍵，或者使用手機APP開始清潔(清潔時按任意鍵暫停)。

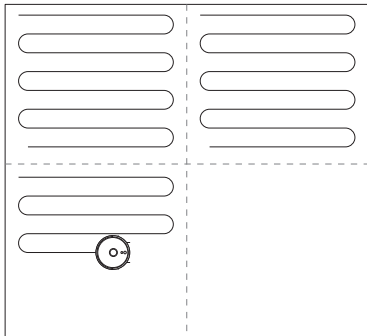
注意：

- 請勿在家中無人時使用拖地模塊。
- 為安全起見，充電或不使用時請務必移除拖地模塊。
- 請勿在地毯上使用拖地功能。可通過在APP上設置禁區的方式避免設備進入地毯。
- 設備的拖地功能僅具有擦拭效果，有助於深度清潔，但不能有效清除頑固污漬及完全代替人手清潔。

## 功能

### 清扫模式：

- 启动后，主机将扫描生成地图，并进行智能分区。在分区内会采用先沿墙清扫，后弓字形填充的方式规划清扫路径，逐一完成各分区的清扫。
- 清扫结束后设备会自动返回充电座充电。



### 定点清扫：

- 当某个局部地区需要深度清扫时，用户在APP上指定地图上的某点，机器会自动行驶到该点附近，以该点为中心，在1.5m x 1.5m范围内清扫。

### 局部清扫：

- 当无法通过手机APP控制时，可以手动把机器搬到需要清扫的区域，长按回充键3秒，机器会以自身为中心，在2m x 2m范围内清扫2次。

### 自定义区域清扫：

- 使用手机APP设置需要清扫的区域大小和位置，可以设置一个或者多个区域。主机将按照设置的区域进行清扫。

### 清扫禁区：

- 使用手机APP可以设置一个或多个禁区。设为禁区后主机将不会进入该区域，而对其他区域则继续进行清扫。

注意：

- 机器可能会因为定位错误、传感器异常等原因进入禁区。
- 禁区可能会因为充电座及家具位置的变化较大而失效，所以设备运作中请不要搬动或干涉机器。
- 重新建图会丢失禁区的设置。

### 预约清扫：

- 使用手机APP可以设置预约清扫时间，主机将在指定时间自动开始清扫，并在清扫结束后返回充电座充电。

## 保养

保养前，请确保拔除电源插头。

### 1. 清洁滚刷

- 翻转机器按住滚刷罩上的卡扣取出滚刷。
- 用配套的工具清扫掉滚刷和腔内的灰尘，然后清理滚刷上的缠绕物。
- 装回滚刷并压紧滚刷罩固定卡扣。

### 2. 清洁边刷

- 翻转机器向上，垂直拔出边刷。
- 清理缠绕的毛发和污垢后装回。
- 如边刷有损坏请更换。

### 3. 清洁尘盒

- 按住尘盒按钮向后抽出尘盒。
- 打开尘盒倒出垃圾。

### 4. 清洁滤网

- 在长时间使用后，取下过滤纱网、过滤海绵、HEPA滤网。
- 用水清洗以上部件。
- 清洗后甩乾水珠，晾乾滤网和尘盒，等到彻底晾乾后才可以使⽤。
- 装回尘盒组件。

### 5. 清洁拖地组件 (建议每次清理)

- 从拖地组件上移除抹布，将水箱的水倒乾净。
- 清洁抹布，将水箱和抹布晾乾，等待下次使用。

### 6. 清洁感应器和充电触点

- 每个月使用柔软的乾布清洁所有感应器及充电触点。

## 产品规格

|         |                                    |
|---------|------------------------------------|
| 型号      | : RO5S                             |
| 电池种类    | : 5200mAh Li-ion battery           |
| 额定电压    | : 14.4V                            |
| 功率      | : 50W                              |
| 尘箱容量    | : 600ml                            |
| 二合一水箱容量 | : 350ml (尘), 300ml (水)             |
| 滤网      | : HEPA G3                          |
| 吸力      | : 600Pa / 1200Pa / 2500Pa / 3000Pa |
| 噪音      | : ≤72dB                            |
| 工作时间    | : 120 - 320分钟                      |
| 湿拖续航    | : 50mins / 70mins / 90mins         |
| 越障能力    | : 18mm                             |
| 有效面积    | : 120 - 320m <sup>2</sup>          |
| 充电时间    | : 6小时                              |
| 导航系统    | : LDS 激光导航                         |
| 无线频率    | : 2.4GHz                           |
| 尺寸      | : 350 x 350 x 100mm                |
| 重量      | : 3.6kg                            |
| 充电底座尺寸  | : 160 x 145 x 94mm                 |
| 线长      | : 1.5m                             |

### 包装内容

- Elite-Cleanse智能紫外光扫地吸尘机械人
- 充电底座
- 2合1水箱
- 边刷4个
- 滚刷1个
- HEPA与海绵滤网1套
- 拖布2块
- 清洁刷1个
- 使用说明书及保用证

## 注意事项

使用前，请仔细阅读本用户手册，并妥善保存以备将来参考。

1. 本产品仅用于家居环境的地面清洁，请勿用于室外(如开放式阳台)、非地面(如沙发)、商用或工业环境。
2. 请勿在悬空环境(如复式楼层，开放式阳台，家具顶端)没有防护栏的前提下使用。
3. 请勿在高于40°C、低于0°C或地面有任何液体及黏稠物的环境下使用。
4. 使用前请先将家中地面电线挂起，避免主机运行时拖拽电线。
5. 请收起地面上的易碎物品及杂物(如花瓶、塑料袋等)，避免主机在运行中受阻或轻微碰撞导致家中的贵重物品损坏。
6. 请勿让儿童或身体、精神或感知能力有障碍的人使用或操作本产品。
7. 请勿在无人看管的情况下由儿童进行清洁及保养。
8. 请勿将清洁刷放置在儿童可以触摸到的区域。
9. 请勿将任何东西(包括儿童及宠物)放置于静止或运行的机器上。
10. 请勿在机器运作时，让人体或宠物的毛发、手指等部位靠近机器吸尘口。
11. 请勿用于清扫燃烧中的物体(如未熄灭的烟头)。
12. 请勿用于清扫长毛地毯(部份深色地毯可能无法正常清扫)。
13. 请勿让主机吸取硬物或尖锐物体(如装修废料、玻璃、铁钉等)。
14. 请勿将激光测距感应器保护盖及保险杠作为提手搬运机器。
15. 请在关机或断电状态下清洁或保养主机及充电座。清洁或保养前要先把充电器从电源插座上拔下。
16. 请依照说明书的指示使用产品，因不当使用导致的任何损失和伤害，由用户自行承担。
17. 请勿在地毯上、家具顶部使用拖地功能。
18. 充电时请务必取下水箱。
19. 如电源线有损坏，请立即停用该设备，并由专业人士进行替换。
20. 本产品只能使用原装提供的电源供应设备。

21. 本产品只能使用原装提供的(型号: NLD100240W1E4) 充电器来帮本产品充电。
22. 本产品内置电池只可由专业人士进行更换。
23. 请勿使用任何第三方电池，充电座或充电器。
24. 请勿私自拆解、修理或改装电池和充电座。
25. 请勿将充电座放置在热源附近。



## 遥控器使用方法

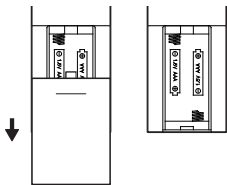
- 产品的激光测距传感器符合IEC60825 1类激光产品标准，不会产生危险的激光辐射。
- 激光等级 I EC-60825 等级 1。
- 产品最大激光输出功率10mW。
- 激光头脉冲时间 (1/2300) s。
- 不可见的激光辐射。
- 激光能量-在光圈附近曝光可能会导致灼伤。
- 标准：IEC 60825-1:2014。
- 警告-本设备包含一个紫外线发射器。不要盯著光源。

## 遥控器使用方法

1. 本产品遥控器只能使用2只AAA 电池
2. 不要把一次性使用电池拿去充电
3. 不要把不同种类或把新和旧的电池混在一起使用
4. 安装时要确保电池极性安装正确
5. 电池耗尽时要把电池从产品上取下并安全弃置
6. 如产品将长时间不需使用,请把电池取下
7. 请不要把电源输入端短路



## 遥控器电池取下方法



1. 按遥控器电池门并压下推开遥控器电池门。
2. 取下旧的AAA 电池。
3. 换上两颗新的AAA 电池。
4. 按遥控器电池门并推上就能关上遥控器电池门。

## 智能移动应用平台服务协议

请参考移动應用程式内容：在接受本协议之前请您务必仔细阅读本协议的移动应用程序全部内容，充分理解条款内容，特别是限制及免责条款。限制或免除责任条款，私隱声明，将以加粗或其他醒目形式提示您注意。如果您对本协议的条款有疑问的，请联系相关业务部门进行询问。除非您已阅读并接受本协议及相关协议、规则等所有条款，否则，您无权使用本服务。一旦您选“同意协议并提交”（具体措辞详见注册页面）并完成注册流程，或您以任何方式使用本服务，即视为您已阅读并同意上述协议、规则等的约束。如您有违反本协议的任何行为时，智能生活有权根据您违反的情况随时单方采取限制、中止或终止向您提供服务等措施，并有权追究您相关责任。

## 如何处理废弃电子产品

1. 请勿将电子产品当成家庭废弃物丢弃；
2. 请依当地的法例规定处理废弃的电子产品；
3. MOMAX鼓励您积极参与电子产品回收计划。

## 保养条款

1. 由购买日期起12个月内，如产品有损坏或故障，经本公司技术人员证实为在正常使用之情况下发生，本公司将提供免费维修服务；
2. 维修时必须出示本保用证及购买商号之发票正本，如果用户不能提供，本公司有权不提供维修服务。用户可能需要支付相关维修费用；
3. 保用期内，出现以下条款产品保用证自动失效：
  - (a) 是可消耗的部件，例如过滤网；
  - (b) 非本公司人员恣意拆解或维修产品之任何部分；
  - (c) 错误的操作如：非法接驳电源，以及水、污秽物渗入产品内导致产品损；
  - (d) 不可抗拒意外事件或自然灾害导致产品损坏；
4. 此保用证如经涂改，保用证自动失效；
5. 本公司有权增删任何维修及保用条款而不作通知；
6. 如因错误使用本公司产品而导致手提电话或其他电子产品有任何损坏，本公司不会承担任何责任；
7. 有关 MOMAX 原装产品和您的手机或电子产品的相容性，请在购买时向经销商确认。此产品规格随时可能变更，恕不另行通告；
8. 请浏览 [www.momax.net](http://www.momax.net) 了解最新产品资讯。

# **momax**

## **Warranty / 保用證 / 保用证**

Model / 型號 / 型号: \_\_\_\_\_

Date of Purchase / 購買日期 / 购买日期: \_\_\_\_\_

Remarks / 備註 / 备注: \_\_\_\_\_

### **Customer Service / 客戶服務中心 / 客户服务中心**

Hong Kong and Macau:

Unit A, 4/F., Cheung Lung Industrial Building,

10 Cheung Yee Street, Lai Chi Kok, Kowloon, Hong Kong

Hotline: 852-2402 3186 E-Mail: info@momax.net

香港及澳門:

香港九龍荔枝角長義街10號昌隆大廈4樓A室

服務熱線: 852-2402 3186 電郵: info@momax.net

中国内地:

摩米士科技(深圳)有限公司

广东省深圳市深南大道7006号万科富春东方大厦7楼

邮编: 518000 全国服务热线: 86-400-886-0010

电邮: info@momax.net.cn

Copyright © 2022 MOMAX Technology Ltd. All rights reserved.

MOMAX is registered trademark of MOMAX Technology Ltd.

All other trademarks are the property of their respective owners.

版權所有 © 2022 MOMAX Technology Ltd。保留所有權利。

MOMAX是MOMAX Technology Ltd 的註冊商標。

所有其他商標均為其各自擁有者的財產。

版权所有 © 2022 MOMAX Technology Ltd。保留所有权利。

MOMAX是MOMAX Technology Ltd 的注册商标。

所有其他商标均为其各自拥有者的财产。



[www.momax.net](http://www.momax.net)