

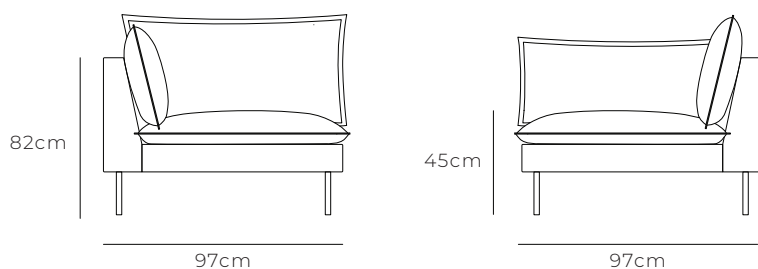


Seam Sofa

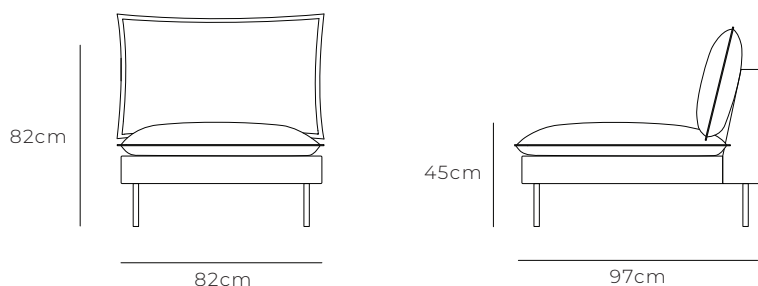
The Seam Sofa is both effortlessly relaxed and contemporary in design. Sink into the generous cushioning during cold winter nights or comfortably laze atop during hot summer days.

DIMENSIONS

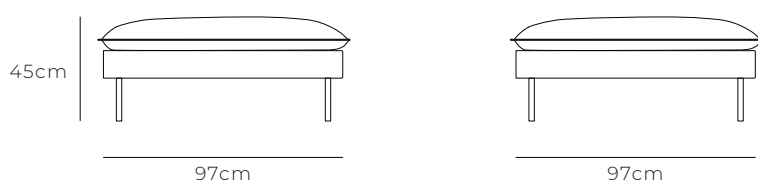
Sofa Corner



Sofa Middle



Ottoman



COMPOSITION

Sofa

- Frame - Plywood timber & high density foam
- Support - Webbing
- Seat - Medium density foam & fibre sheet & feather
- Cushions - Fibre filling & feather

Ottoman

- Frame - Plywood timber & high density foam
- Support - Webbing
- Seat - Medium density foam & feather

FABRICS

Siena



CARE

- Always lift furniture units, never drag.
- Vacuum regularly to maintain fabric.
- Avoid direct sunlight, this can cause fading.
- Always spot test any cleaning method.
- Attend to spills immediately.
- For added protection, anti-stain products and repellents can be applied.

For care and cleaning advice for specific fabrics, please refer to our Product Care document.

WARRANTY

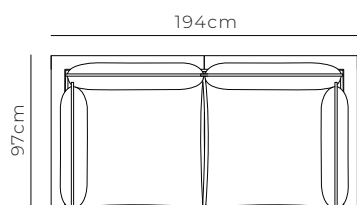
All upholstered frames and fabrics are covered under a 2 year warranty. This includes manufacturing and material defects, provided this is not due to normal wear and tear or a natural characteristic of the fabric. This excludes products that are damaged through misuse, accident or abnormal use. For further details, please see our company policy.



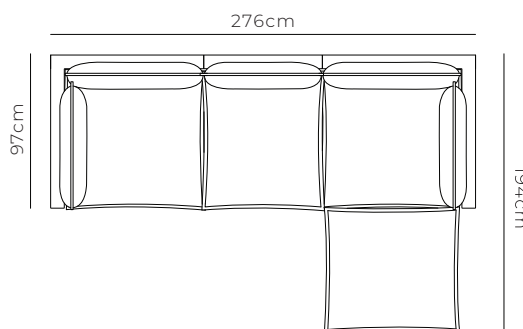
Seam Sofa

The Seam Sofa's clever modular design can adapt to any space or lifestyle, available in an array of configurations and colours that can blend into any interior. Pair it with the Seam Ottoman for ultimate comfort.

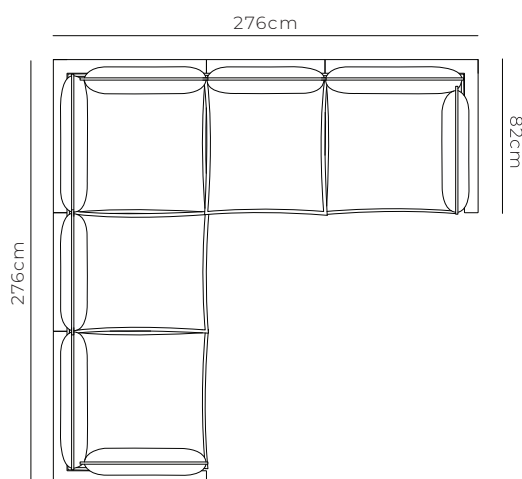
3 Seater Sofa



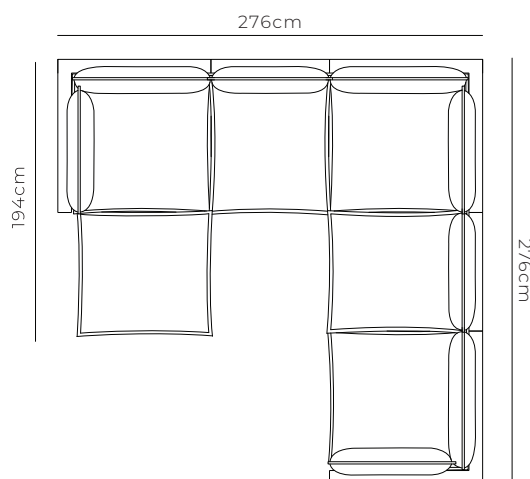
4 Seater Chaise Sofa



Corner Sofa

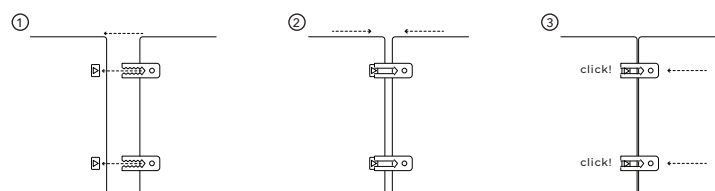


Custom Modular Sofa



CONNECTOR PLATES

To prevent modules coming apart or damaging floors, please ensure the connector plates are engaged. Rotate jaw plate 90 degrees to align mouth with triangular post. Ensure both modules are aligned, front and back. Slowly bring both pieces together, checking the connector plate alignment. Connect both pieces with a firm push.



To undo connector plates and separate units, lift the module with the triangular post straight up. This will unlock the plates and the modules can be pushed apart.

