



Jam Sofa

Paying homage to nostalgic influences, the Jam Sofa brings a new layer of sculpture and design to modular sofas.

DIMENSIONS

LHS Module -

Height	-	80cm
Width	-	113cm
Depth	-	100cm
Seat Height	-	42cm
Seat Depth	-	65cm

RHS Module

Height	-	80cm
Width	-	113cm
Depth	-	100cm
Seat Height	-	42cm
Seat Depth	-	65cm

Small Middle Module

Height	-	80cm
Width	-	75cm
Depth	-	100cm
Seat Height	-	42cm
Seat Depth	-	65cm

Large Middle Module

Height	-	80cm
Width	-	100cm
Depth	-	100cm
Seat Height	-	42cm
Seat Depth	-	65cm

Chaise Module

Height	-	80cm
Width	-	113cm
Depth	-	170cm
Seat Height	-	42cm
Seat Depth	-	135cm

COMPOSITION

Frame	-	Plywood timber & high density foam
Support	-	Webbing
Seat	-	Medium density foam
Backrest	-	Medium density foam, fibre filling & feather

CARE

- Always lift furniture units, never drag.
- Vacuum regularly to maintain fabric.
- Avoid direct sunlight, this can cause fading.
- Always spot test any cleaning method.
- Attend to spills immediately.
- For added protection, anti-stain products and repellents can be applied.

For further care and cleaning advice for specific fabrics, please refer to our Product Care document.

FABRICS

Copenhagen



Charcoal



Navy



Forest



Off White



Grey



Biscuit

Opal



Charcoal



Ocean



Ochre



Beige



Forest

WARRANTY

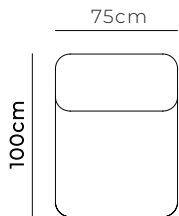
All upholstered frames and fabrics are covered under a 2 year warranty. This includes manufacturing and material defects, provided this is not due to normal wear and tear or a natural characteristic of the fabric. This excludes products that are damaged through misuse, accident or abnormal use. For further details, please see our company policy.



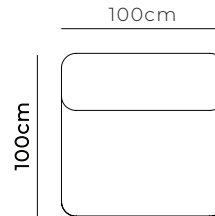
Jam Sofa

The Jam Sofa offers a variety of options and configurations. The centrepiece is available in two sizes that can also be used as a standalone lounge chair on its own for extra versatility.

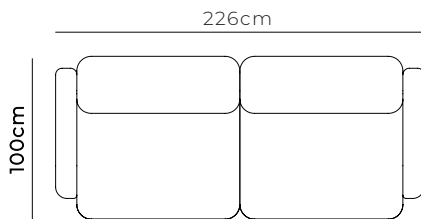
Single Small Lounge



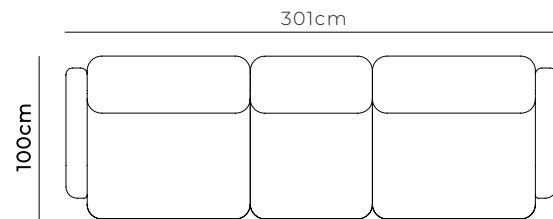
Single Large Lounge



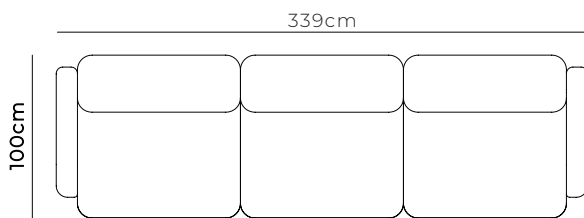
3 Seater



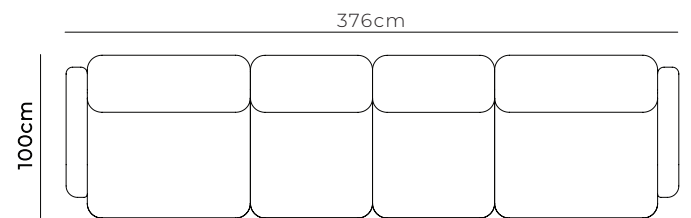
4 Seater



4.5 Seater

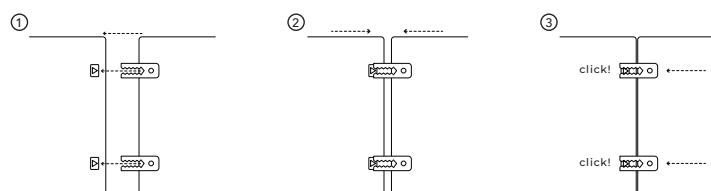


Custom - 5 Seater

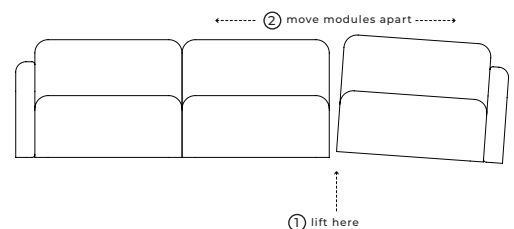


CONNECTOR PLATES

To prevent modules coming apart or damaging floors, please ensure the connector plates are engaged. Rotate jaw plate 90 degrees to align mouth with triangular post. Ensure both modules are aligned, front and back. Slowly bring both pieces together, checking the connector plate alignment. Connect both pieces with a firm push.



To undo connector plates and separate units, lift the module with the triangular post straight up. This will unlock the plates and the modules can be pushed apart.

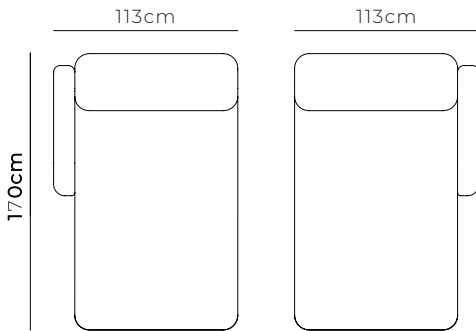




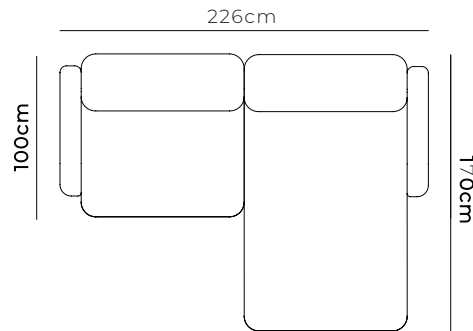
Jam Sofa

The Jam Sofa offers a variety of options and configurations. The centrepiece is available in two sizes that can also be used as a standalone lounge chair on its own for extra versatility.

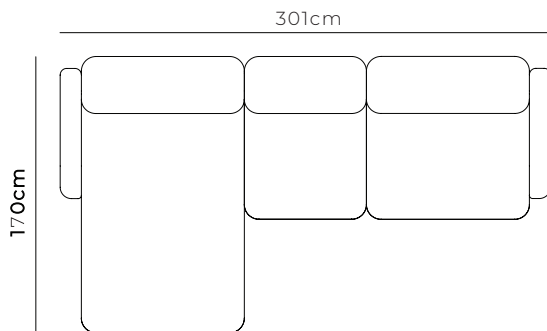
Chaise Lounge



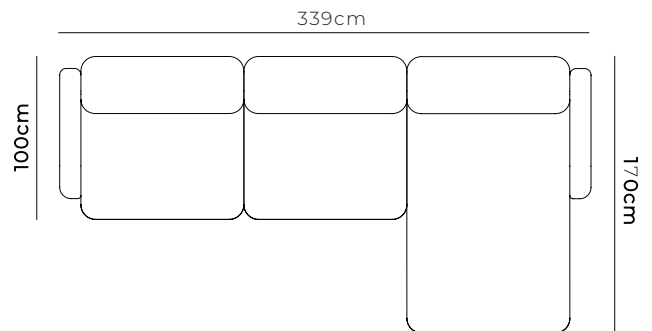
3 Seater Chaise



4 Seater

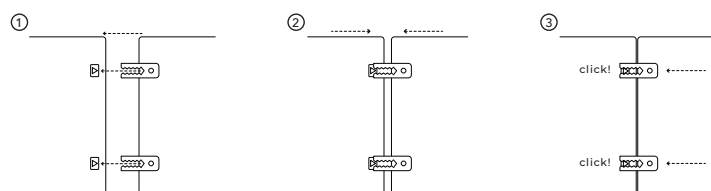


4.5 Seater



CONNECTOR PLATES

To prevent modules coming apart or damaging floors, please ensure the connector plates are engaged. Rotate jaw plate 90 degrees to align mouth with triangular post. Ensure both modules are aligned, front and back. Slowly bring both pieces together, checking the connector plate alignment. Connect both pieces with a firm push.



To undo connector plates and separate units, lift the module with the triangular post straight up. This will unlock the plates and the modules can be pushed apart.

