

THE LUXURY PERGOLA



HOW TO

PERGOLA ASSEMBLY AND INSTALLATION



IMPORTANT SAFETY INFORMATION

Find additional caution information below.

To install this pergola, technical knowledge is necessary. Do not mount this pergola yourself but contact a professional workman for help if:

- You are unsure if the pergola can be mounted on the place you chose for installation;
- You do not understand the instruction manual or parts of it or the terminology used;
- You do not have necessary tools available; or
- You do not have necessary technical knowledge.

A minimum of three healthy adults are required to move and install the pergola.

The product is big and heavy. Do not try to install the pergola alone. If the pergola falls, it could cause damage to property and serious injury to persons installing it and others in the area.

Contact a local contractor in your area with expertise in framing to assist or to be contracted to install the pergola if you feel you cannot safely complete building your pergola.

Do not install the pergola when you find damaged parts or parts are missing. Contact us at info@theluxurypergola.com if you are missing any parts.

Keep children and pets out of the working area during assembly and adjustments to prevent serious injury from pergola falling on them.

Wear eye protection to avoid being potentially blinded. Aluminum shavings can ricochet off of the unit during drilling and screwing.

Wear appropriate protective gear such as thick gloves, safety glasses, and a face mask. All extrusions have sharp edges and can cause severe lacerations to your hands, and/or face, eyes, and any other exposed surface.

Do NOT climb on the completed or unfinished pergola. The pergola is not built to support weight on roof or other parts. Climbing on pergola can cause it to collapse, potentially causing severe injury or death.

Do not attempt to assemble your pergola if you have to strain to move any part of it. Potential strains moving heavy parts can cause serious injury.

Install the unit exactly as described. Improper installation can result in the unit's collapse during use or installation, causing severe injury or death.

Use impact driver with caution and appropriate protective gear recommended by the manufacturer of the impact driver. The impact driver used can heat up and twist, causing twisted wrists or severe burns on hands or exposed skin.

Collect ALL parts and screws that fall on the ground. Failure to do so may result in tripping, falling, or puncturing your feet, hands, or body.

Post base anchors must be tightened completely. Post base anchors without base trim extrusions also can be a tripping hazard.

Always install the pergola according to your local building codes. All pergolas must meet local building code in your region. Please contact and consult with your local building code office to pull any necessary permits and ensure the unit meets all structural, drainage, electrical, and any other applicable codes before installing. Use these codes to ensure the unit has the correct base placement on the patio.

Exercise extreme care pulling low voltage motor line to avoid cutting or abrading it. Replace it if you scar or cut into any of the wires. Exposed wire could cause an electrical shock to any nearby, or an electrical fire.

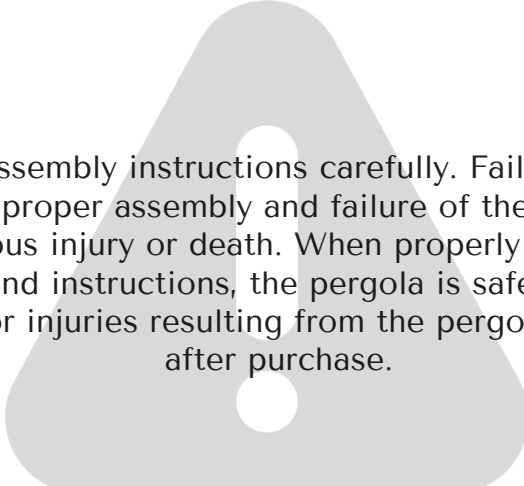
Wear a mask when using touch up paint and always do so outside. Failure to do so could result in light headedness, fainting, or death.

Avoid contact with eyes or mouth when applying Novaflex sealant. Read all Novaflex manufacturer instructions and cautions carefully. Follow manufacturer recommendations for hazardous chemicals if Novaflex comes in contact with eyes or mouth.

Do NOT operate the louvers when roof is covered in snow or ice or during freezing temperatures. Doing so may cause breakage and result in louver collapse, causing serious injury or death. This damage is not covered under warranty.

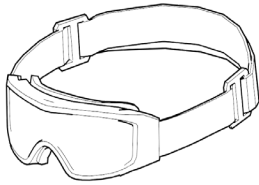
Do NOT put your hand between louvers. Doing so could pinch skin and bruise it and break fingers or hands.

Use only as directed. Unauthorized changes to the products' design and/or structure may result in serious injury or death.



DISCLAIMER: Follow the assembly instructions carefully. Failure to follow each step of the instructions may lead to improper assembly and failure of the pergola to function properly or to collapse, causing serious injury or death. When properly assembled and used in accordance with these warnings and instructions, the pergola is safe for its intended use. Seller is not liable for any damages or injuries resulting from the pergola being improperly assembled after purchase.

YOU WILL NEED



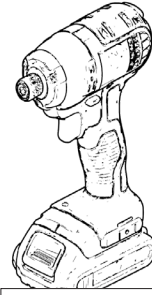
SAFETY GOGGLES



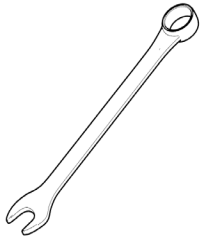
HEARING PROTECTION



WORK GLOVES



CORDLESS IMPACT DRIVER



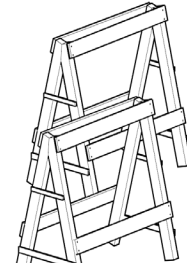
1/2" WRENCH



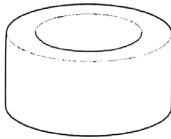
PAPER TOWELS



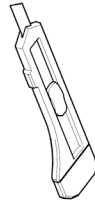
LADDERS



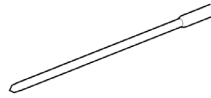
SAWHORSES



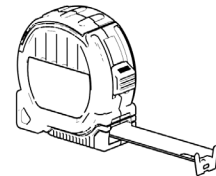
PAINTERS TAPE



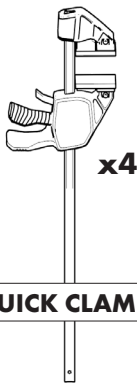
UTILITY KNIFE



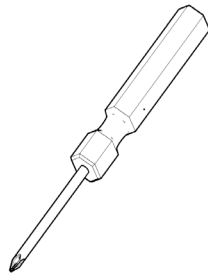
10" MAGNETIC BIT HOLDER



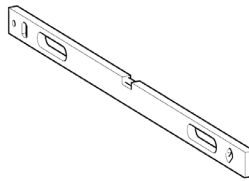
25' TAPE MEASURE



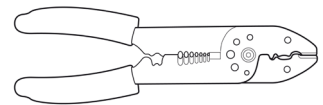
QUICK CLAMPS



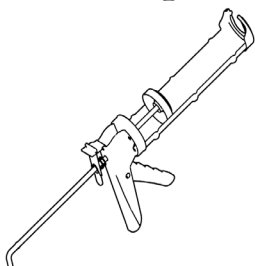
SCREWDRIVER



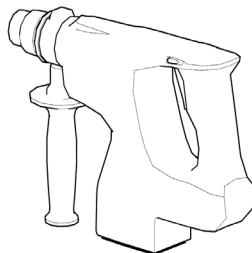
72" LEVEL



WIRE STRIPPERS/ CRIMPERS



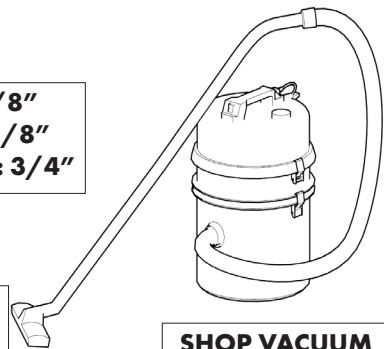
CAULK GUN



ROTARY HAMMER

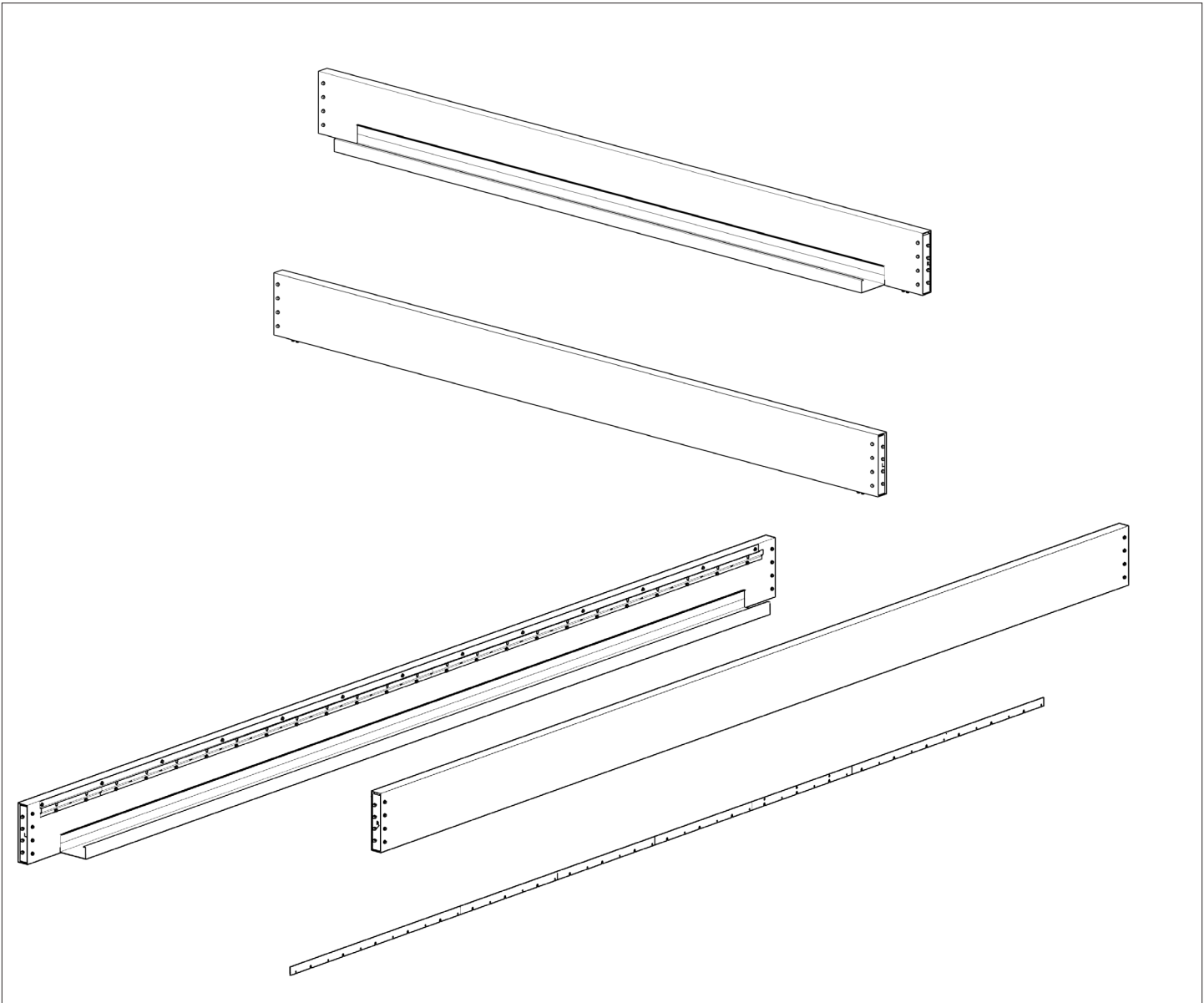


ROTARY HAMMER BIT

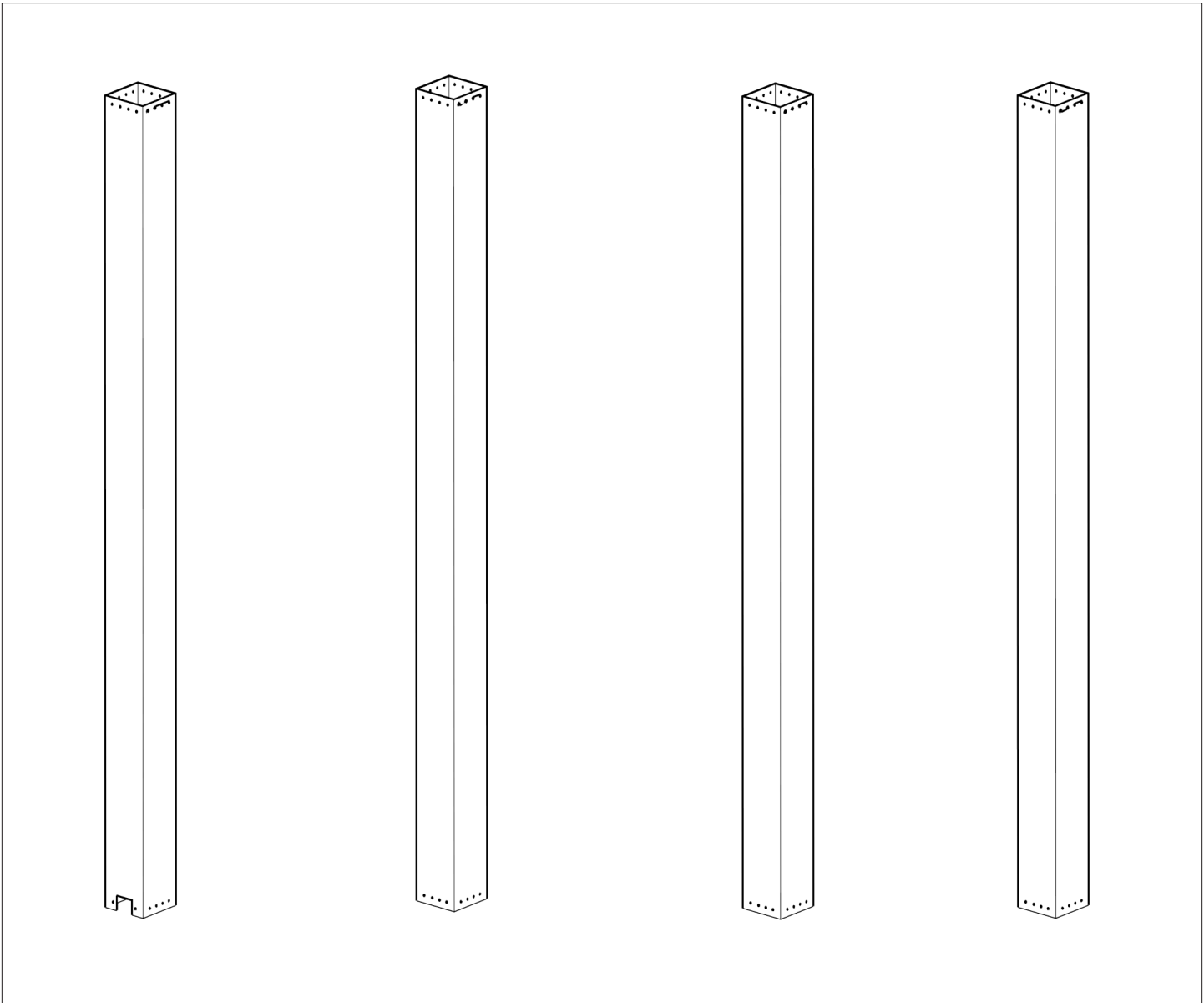


SHOP VACUUM

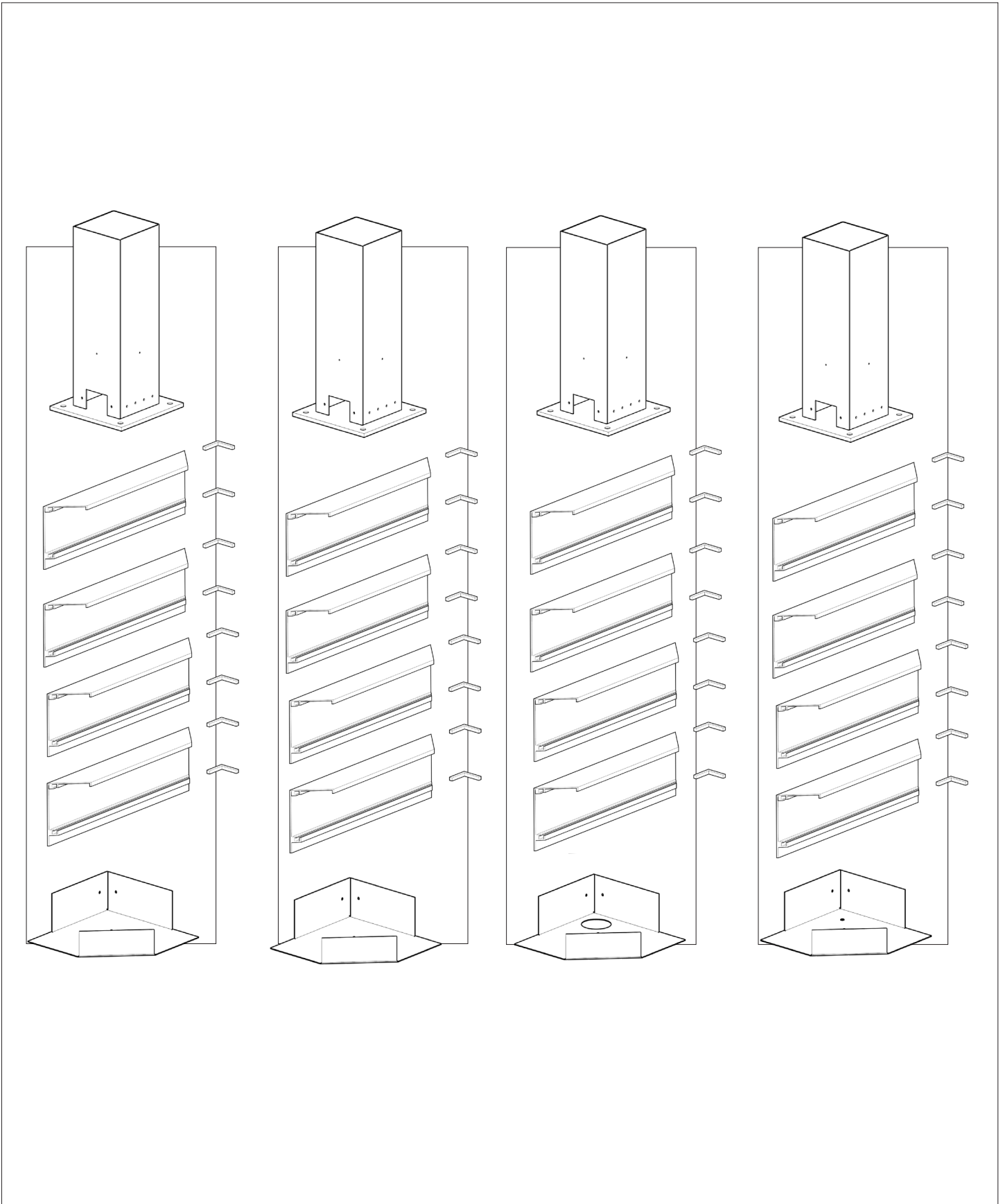
WALL BOXES



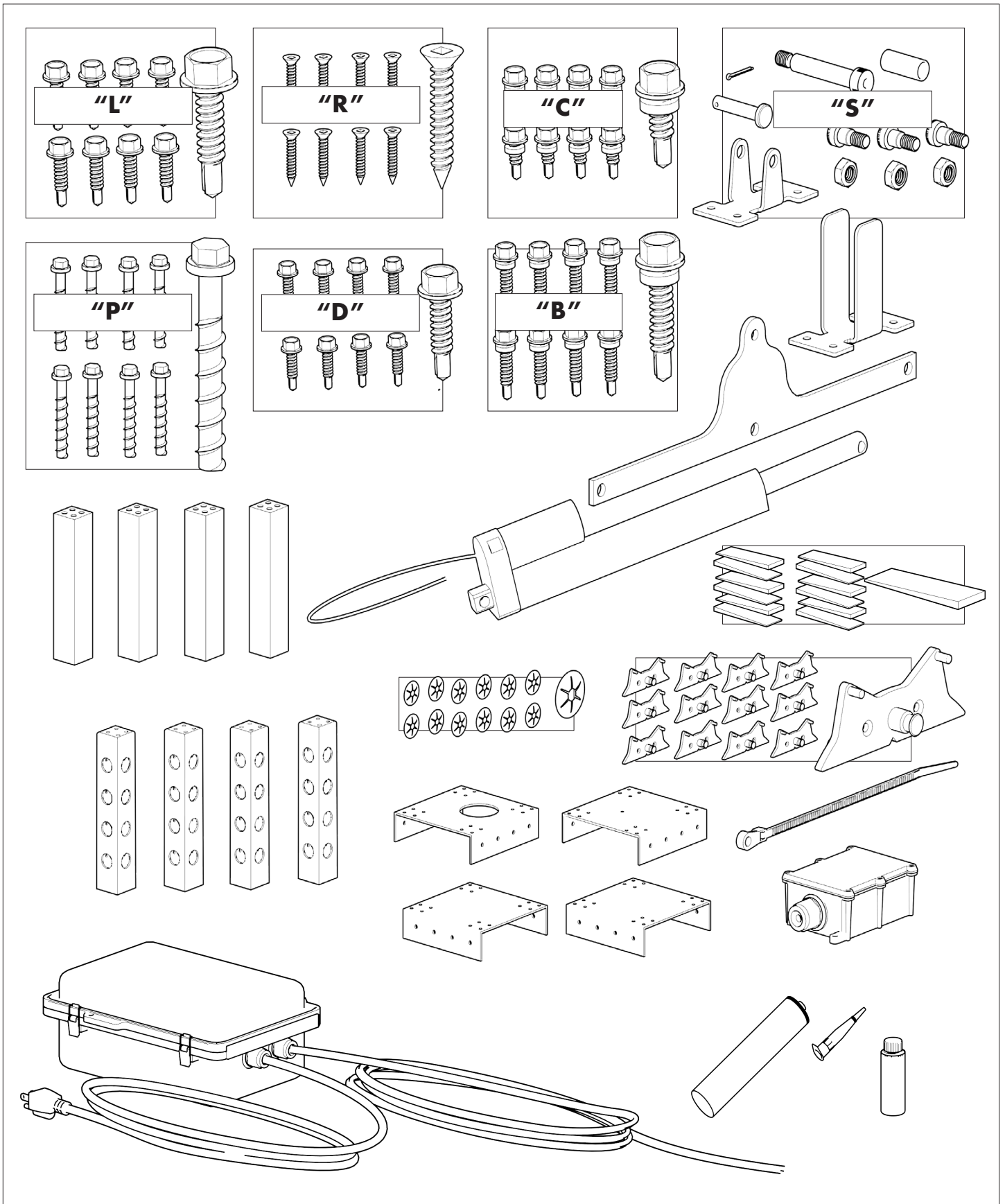
POST BOXES



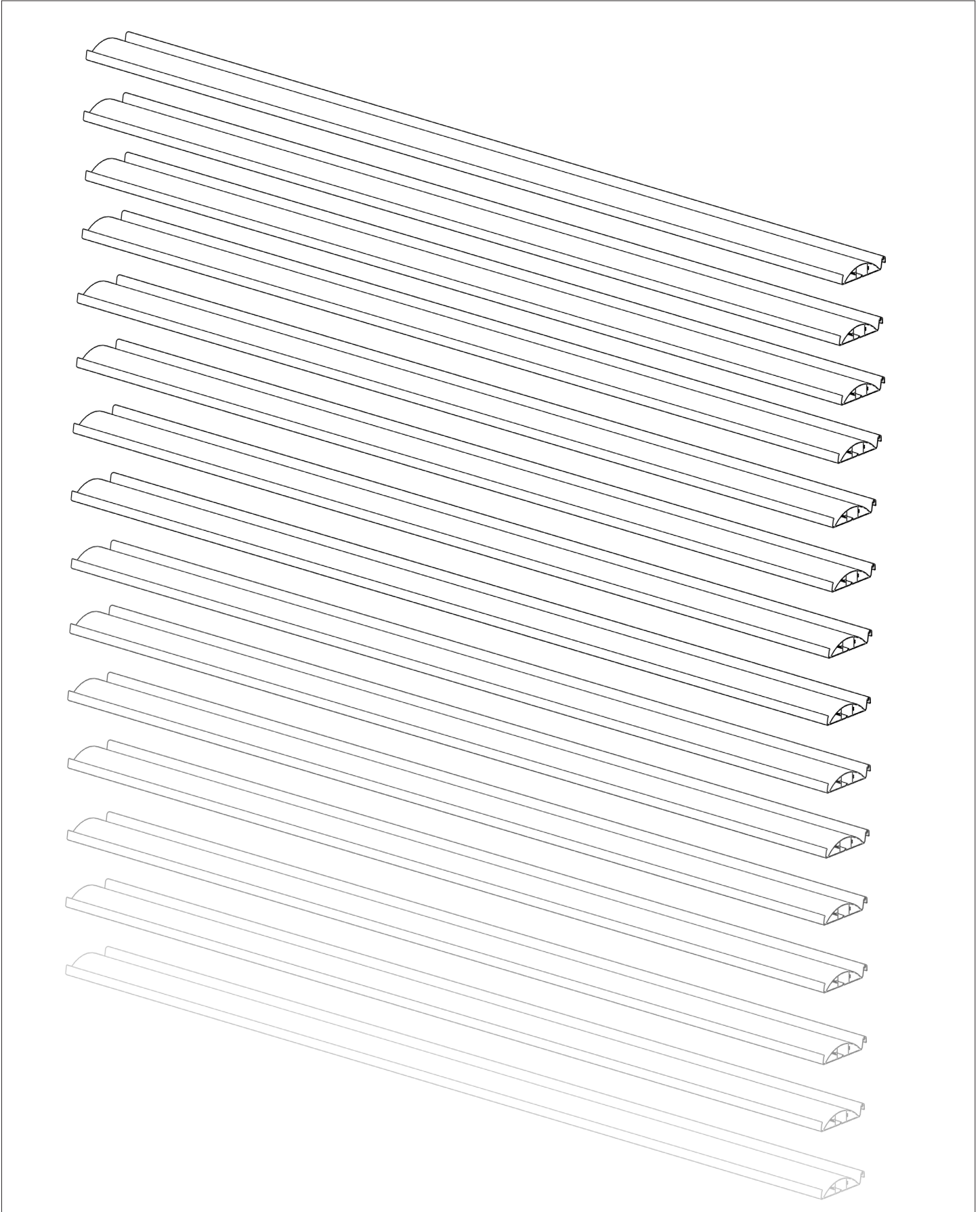
POST BASE BOXES



HARDWARE/ELECTRICAL BOX

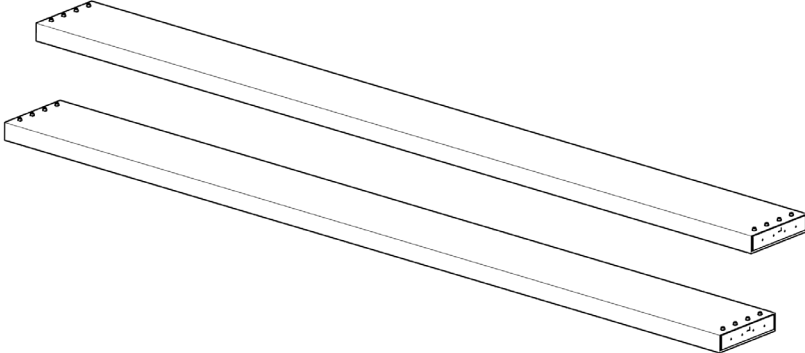


LOUVER BOXES

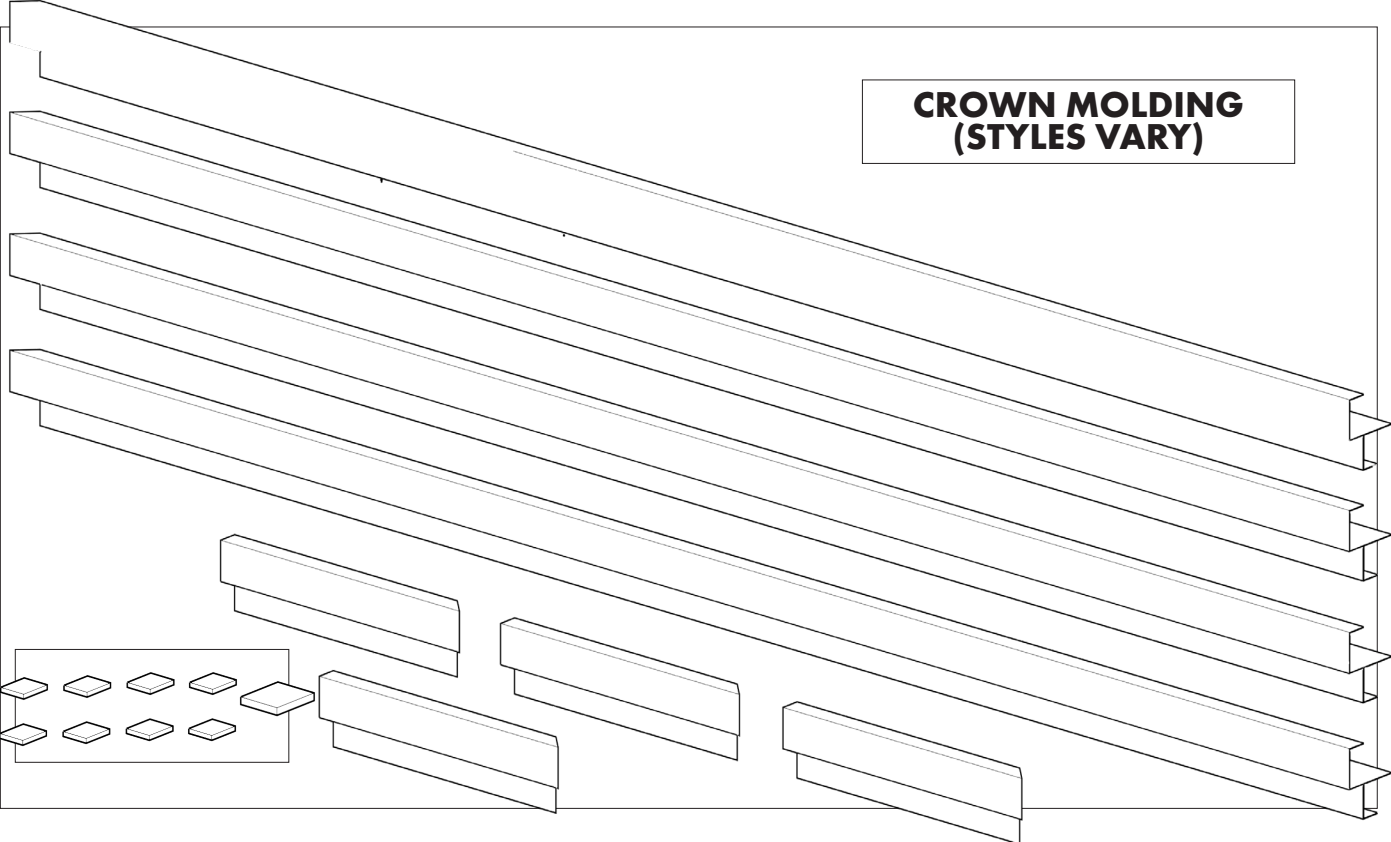


OPTIONAL/ADD-ONS

CENTER BEAM(S)

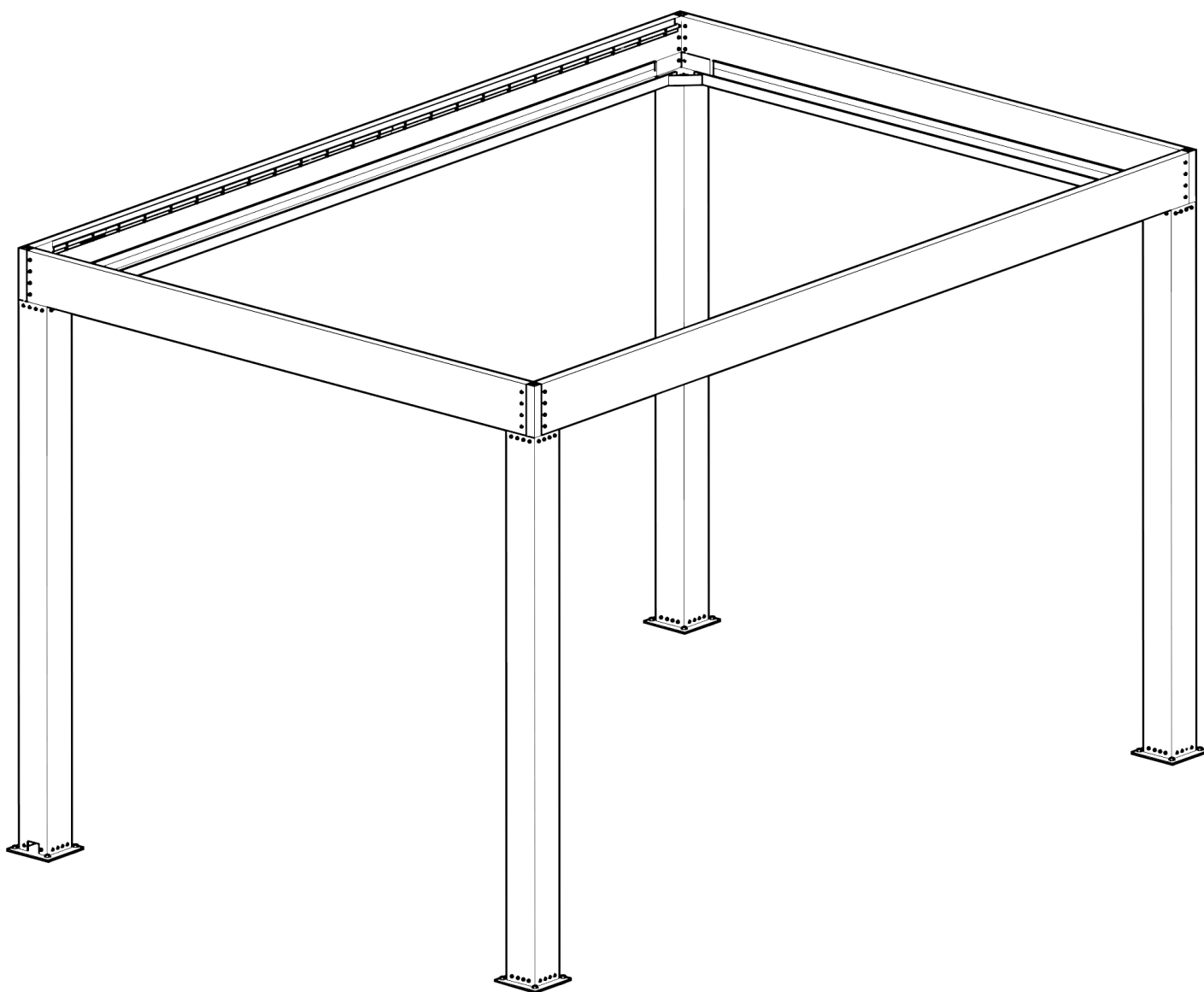


**CROWN MOLDING
(STYLES VARY)**

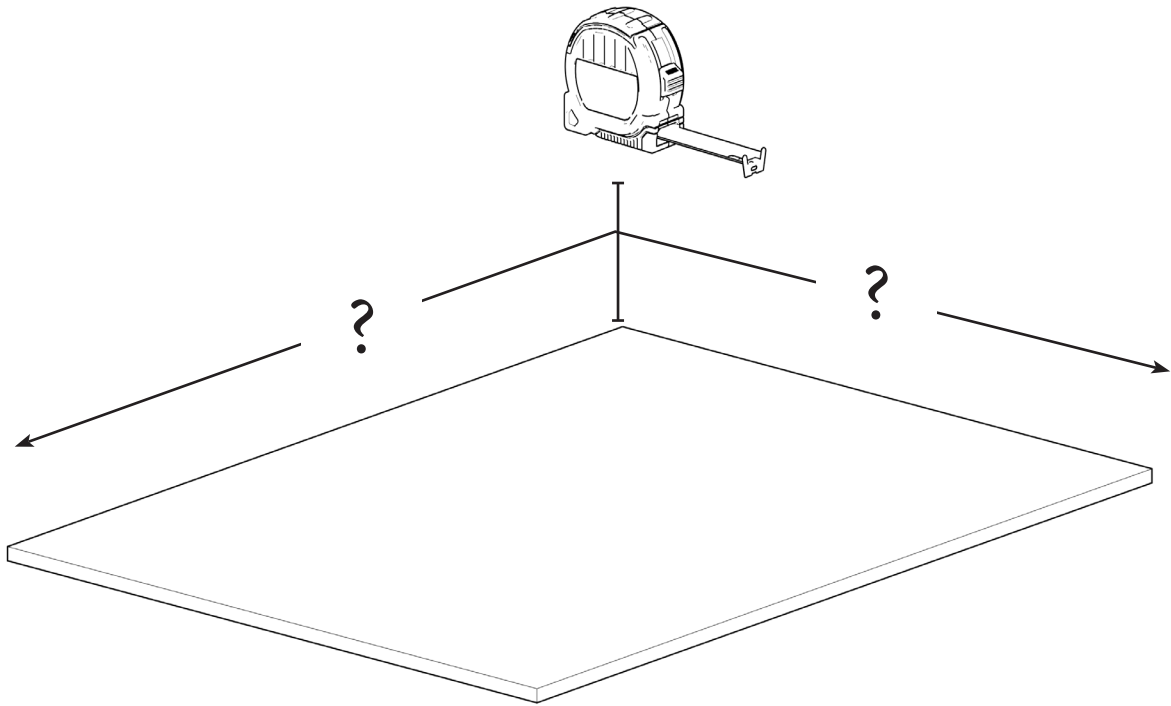


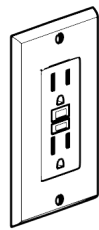
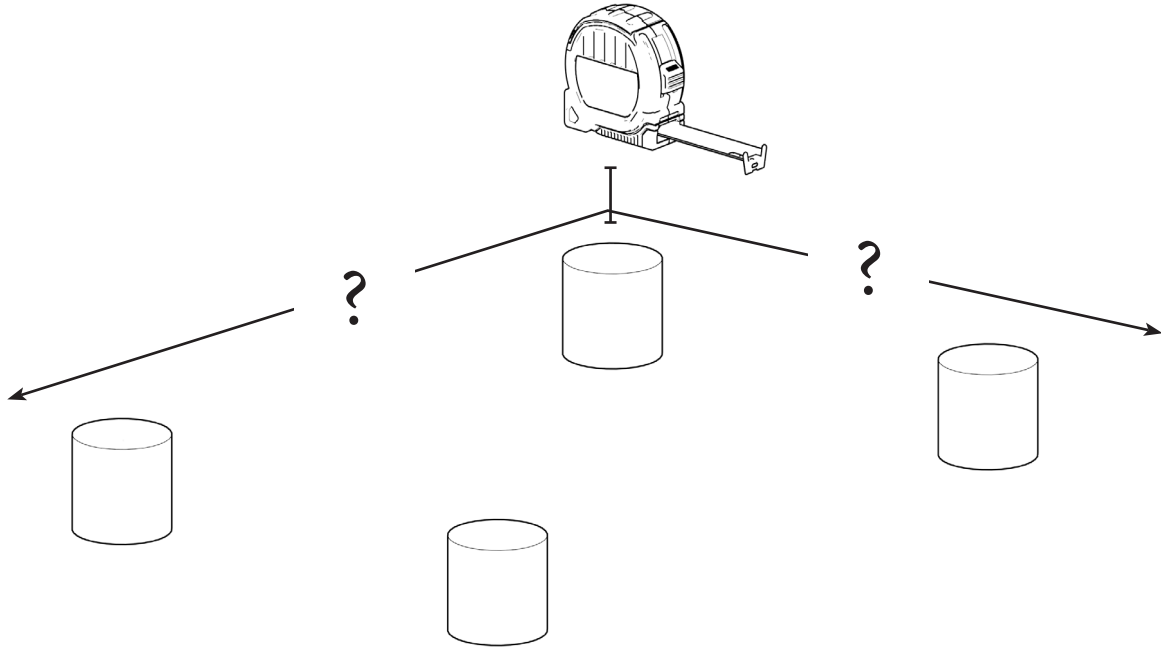
PART 1

BUILDING THE FRAME



1

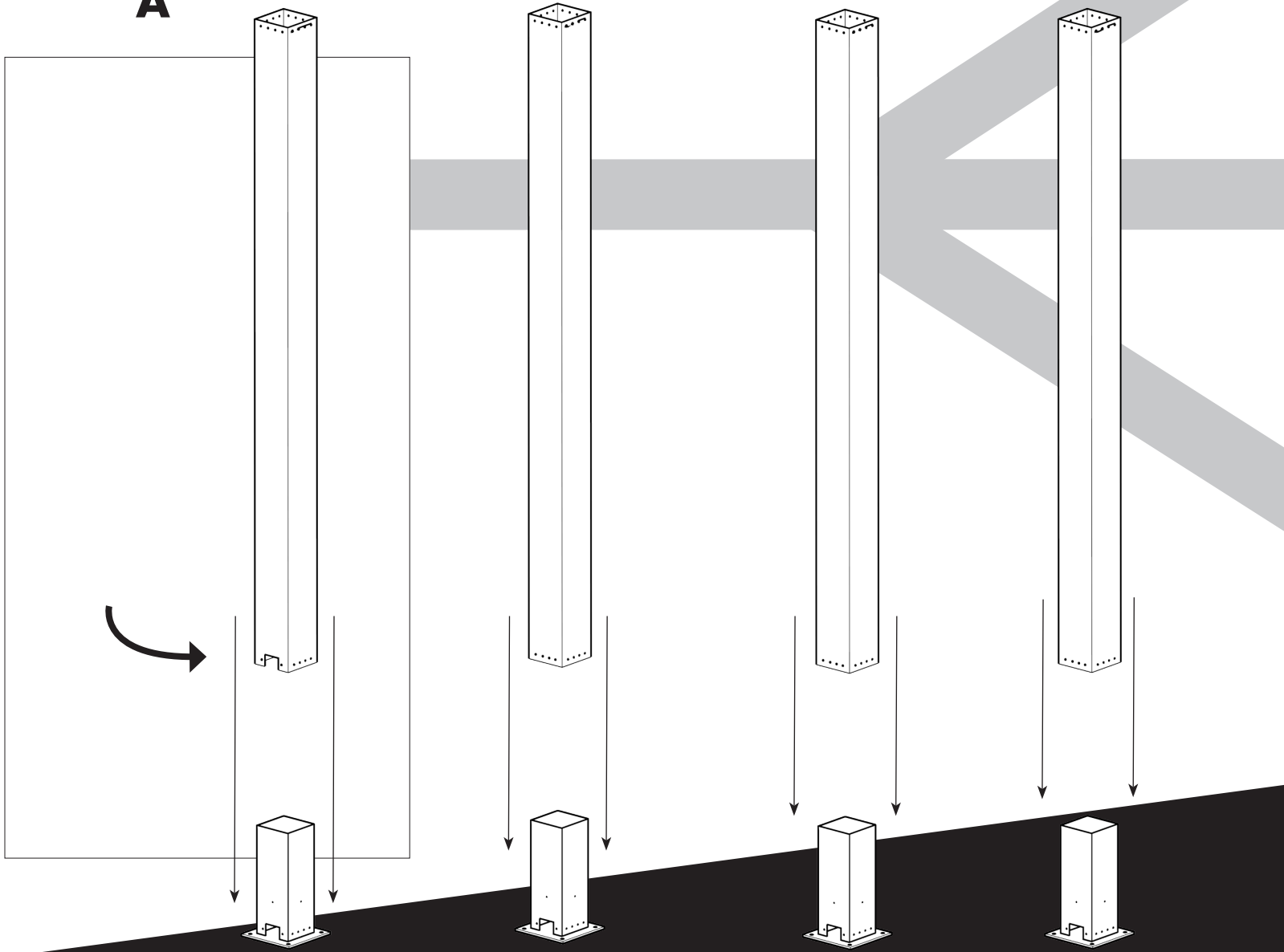


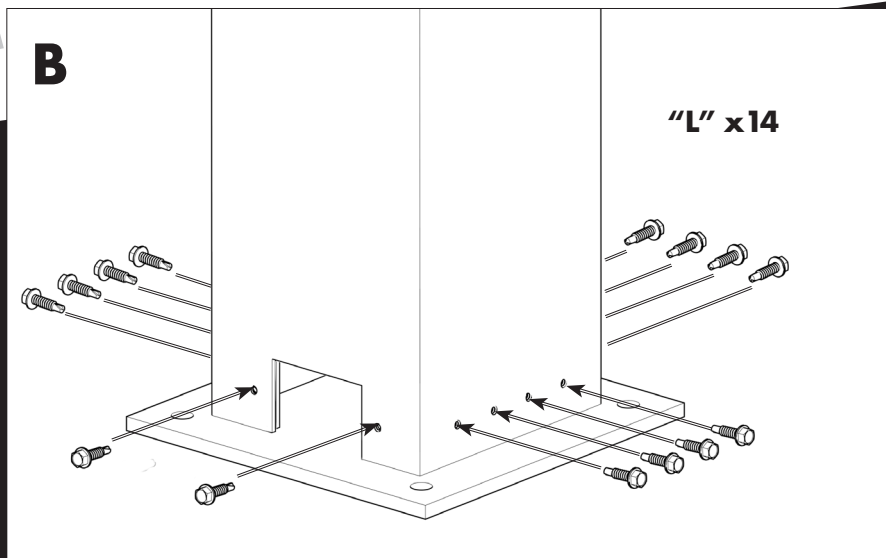
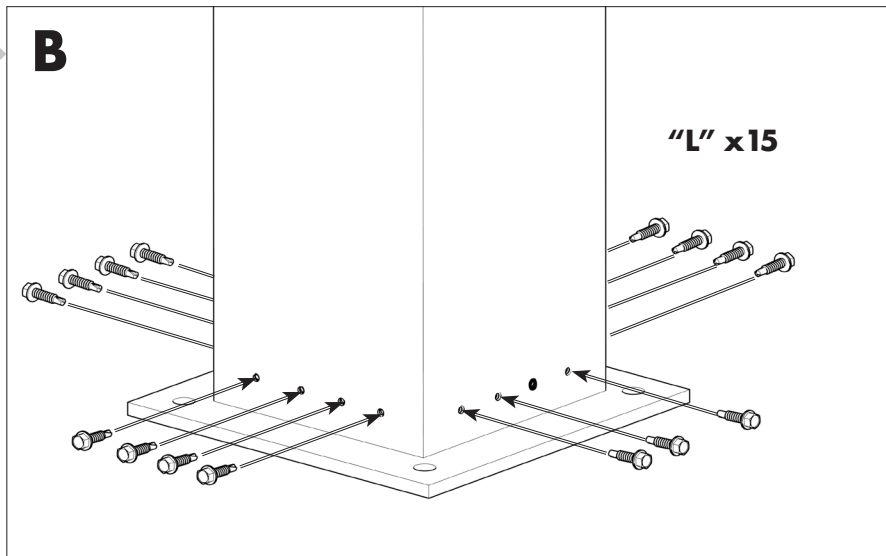
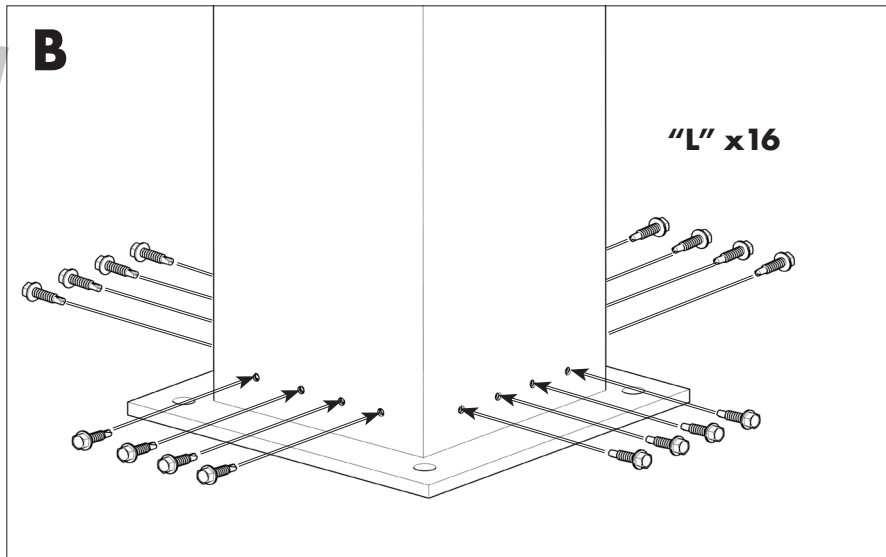


8' 0"
+/-

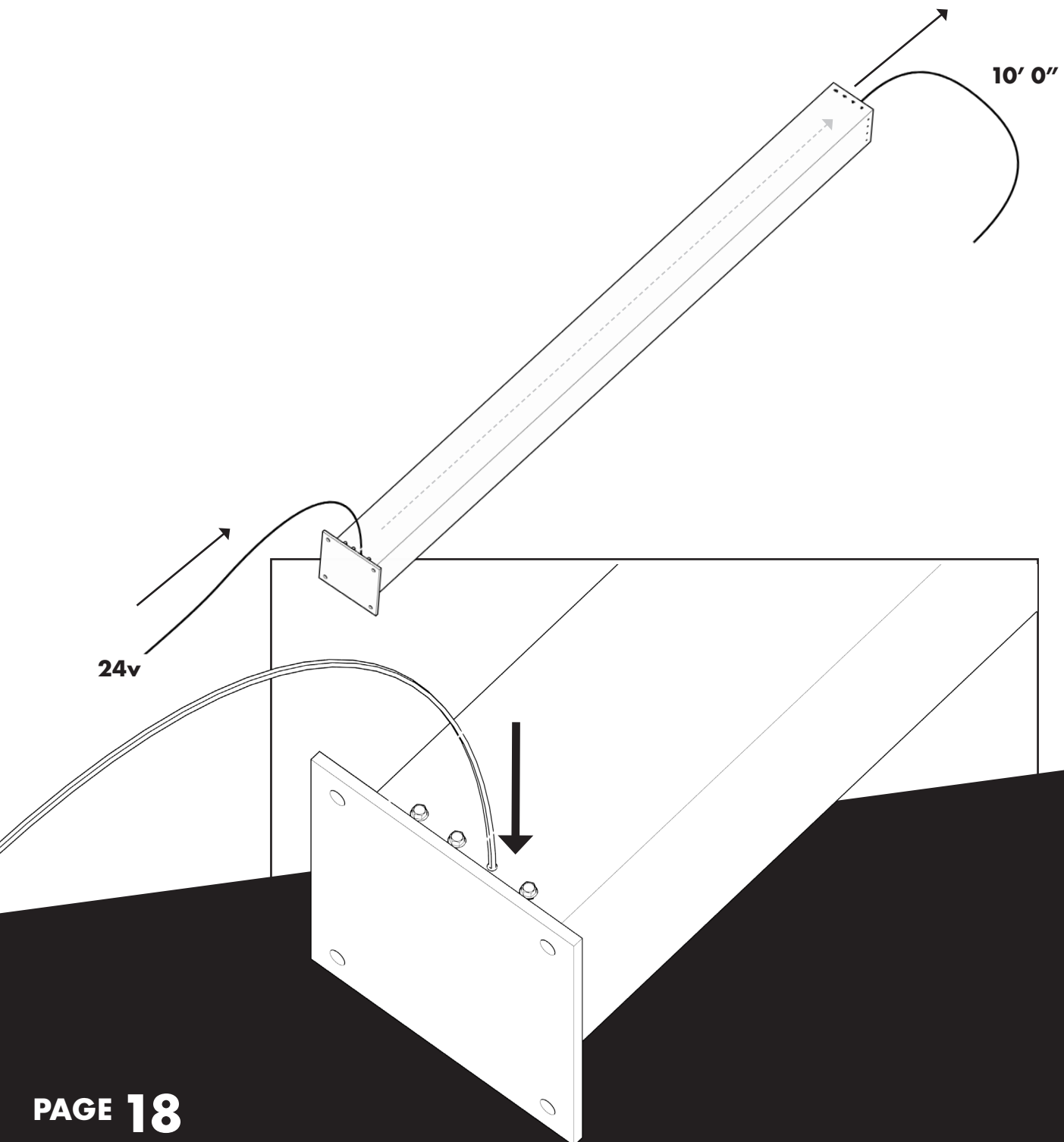
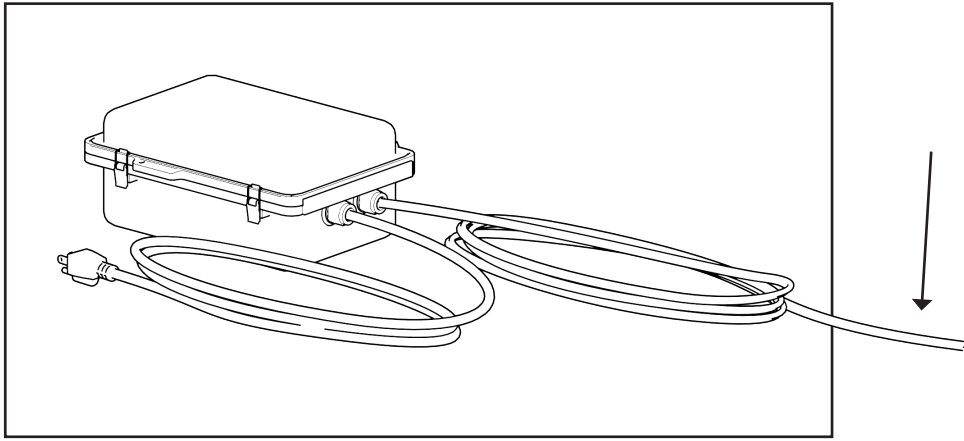
2

A

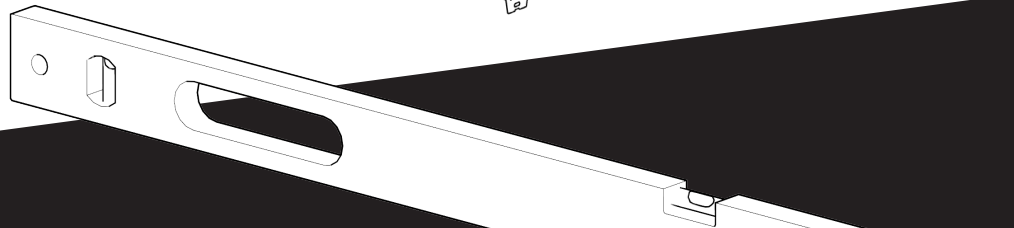
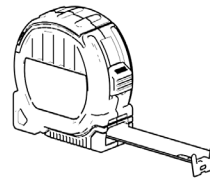
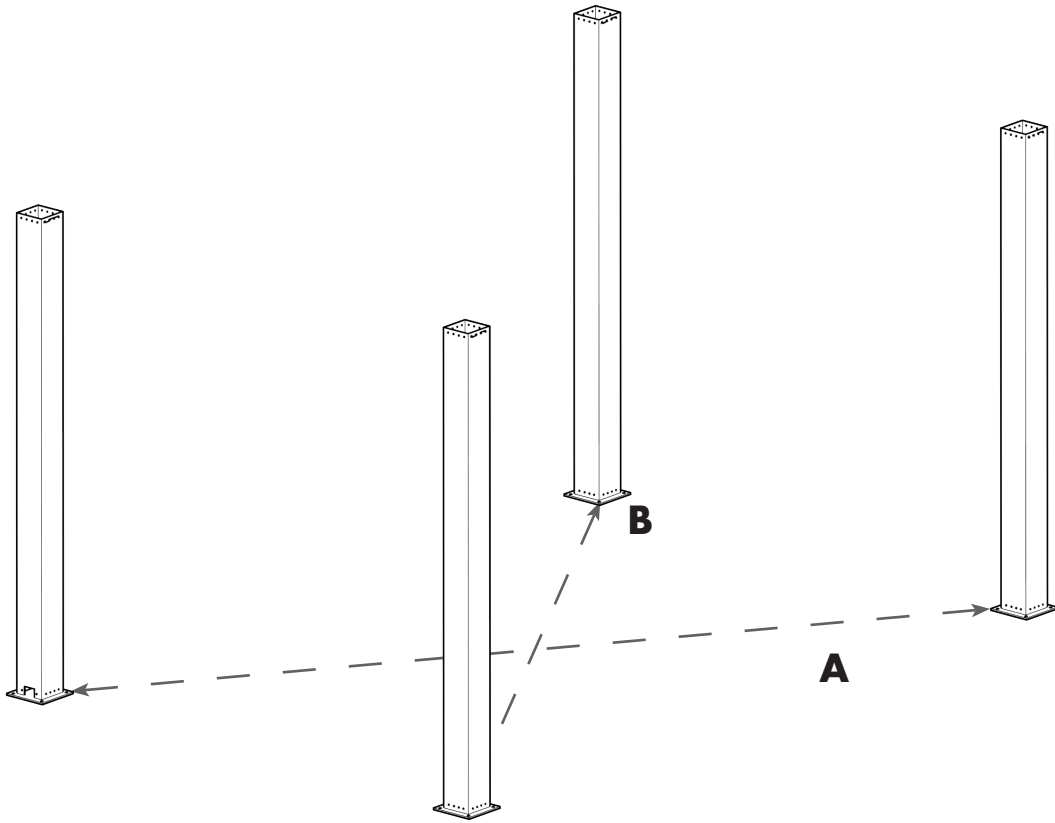




3

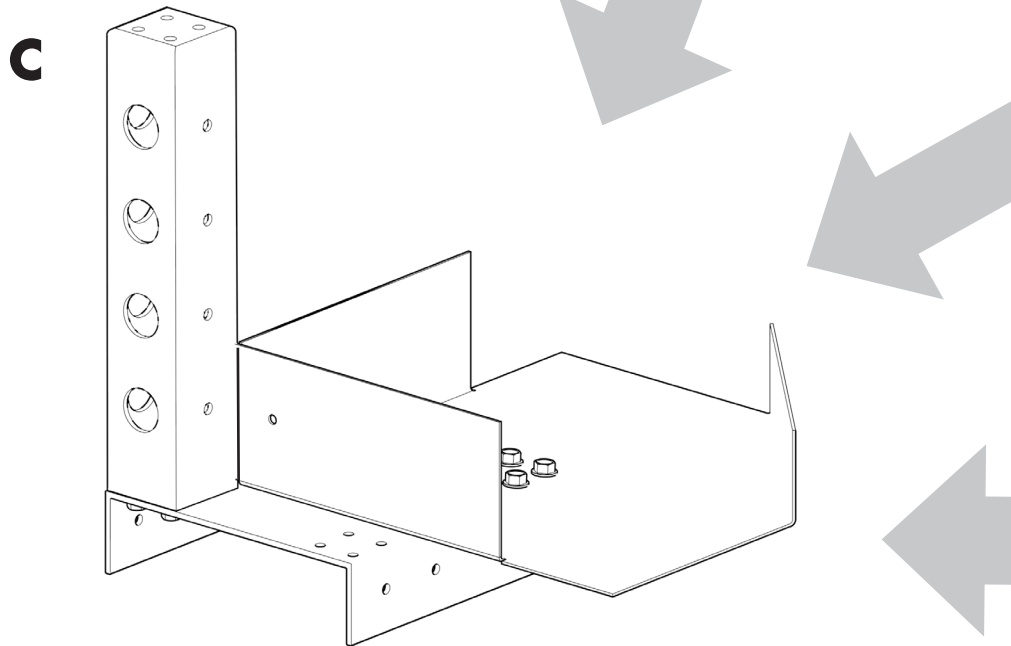
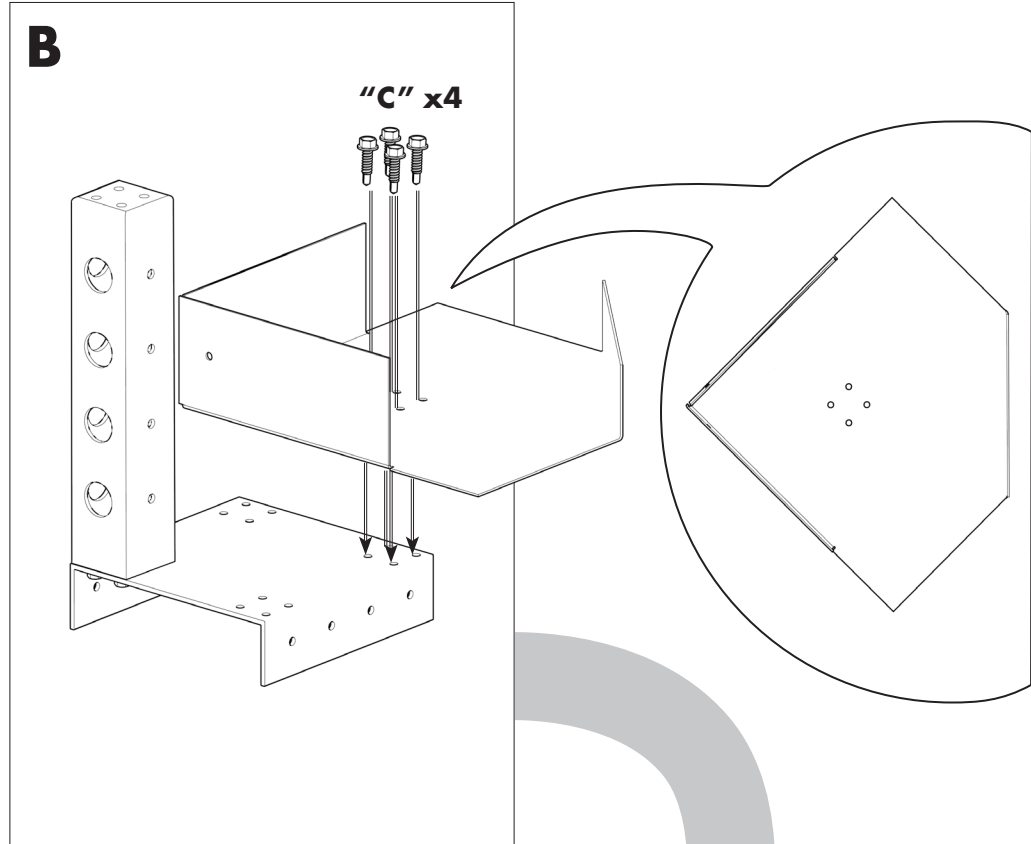
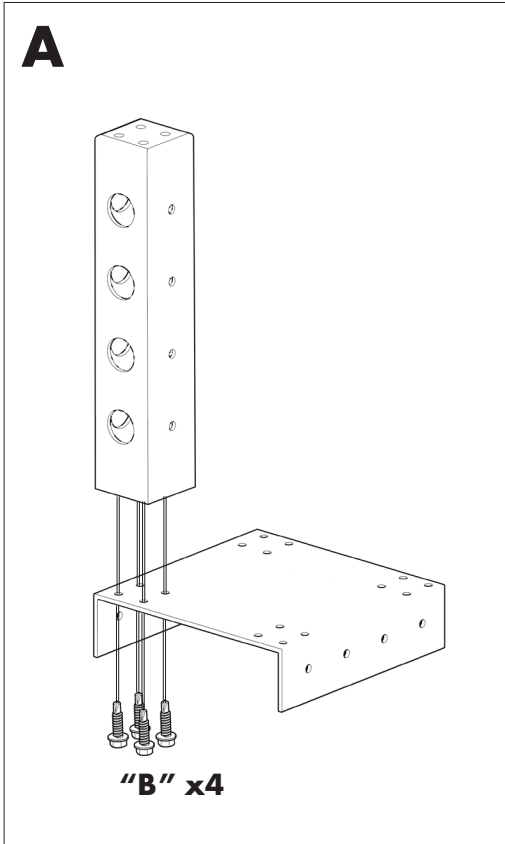


4

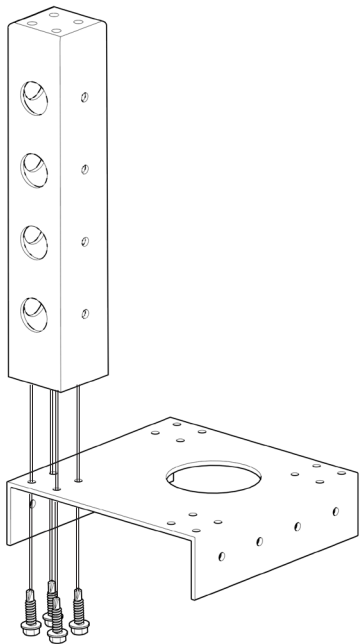


$$A = B$$

5

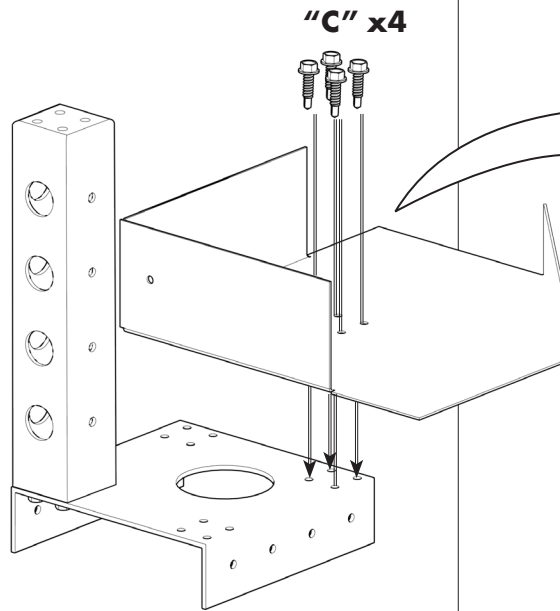


A



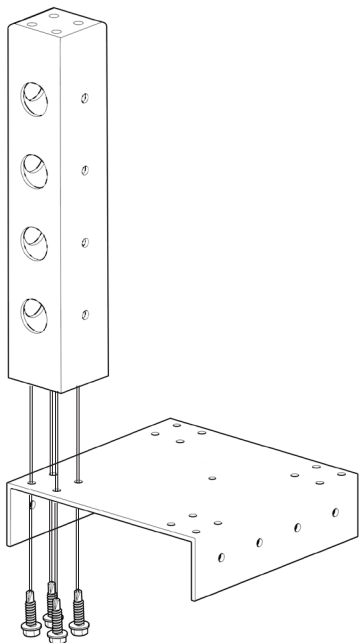
"B" x4

B



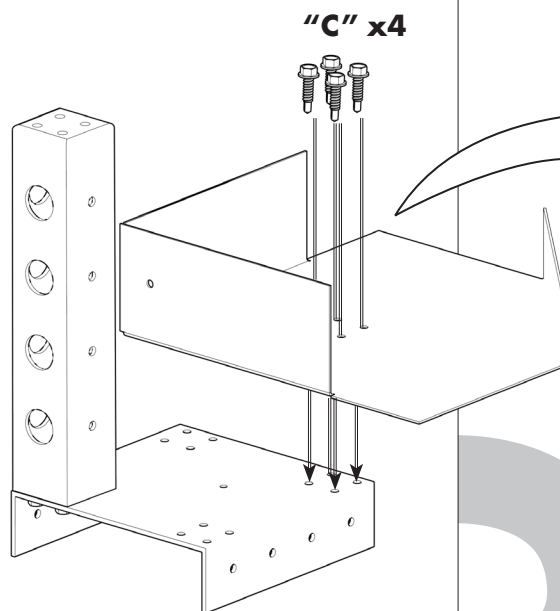
"C" x4

A

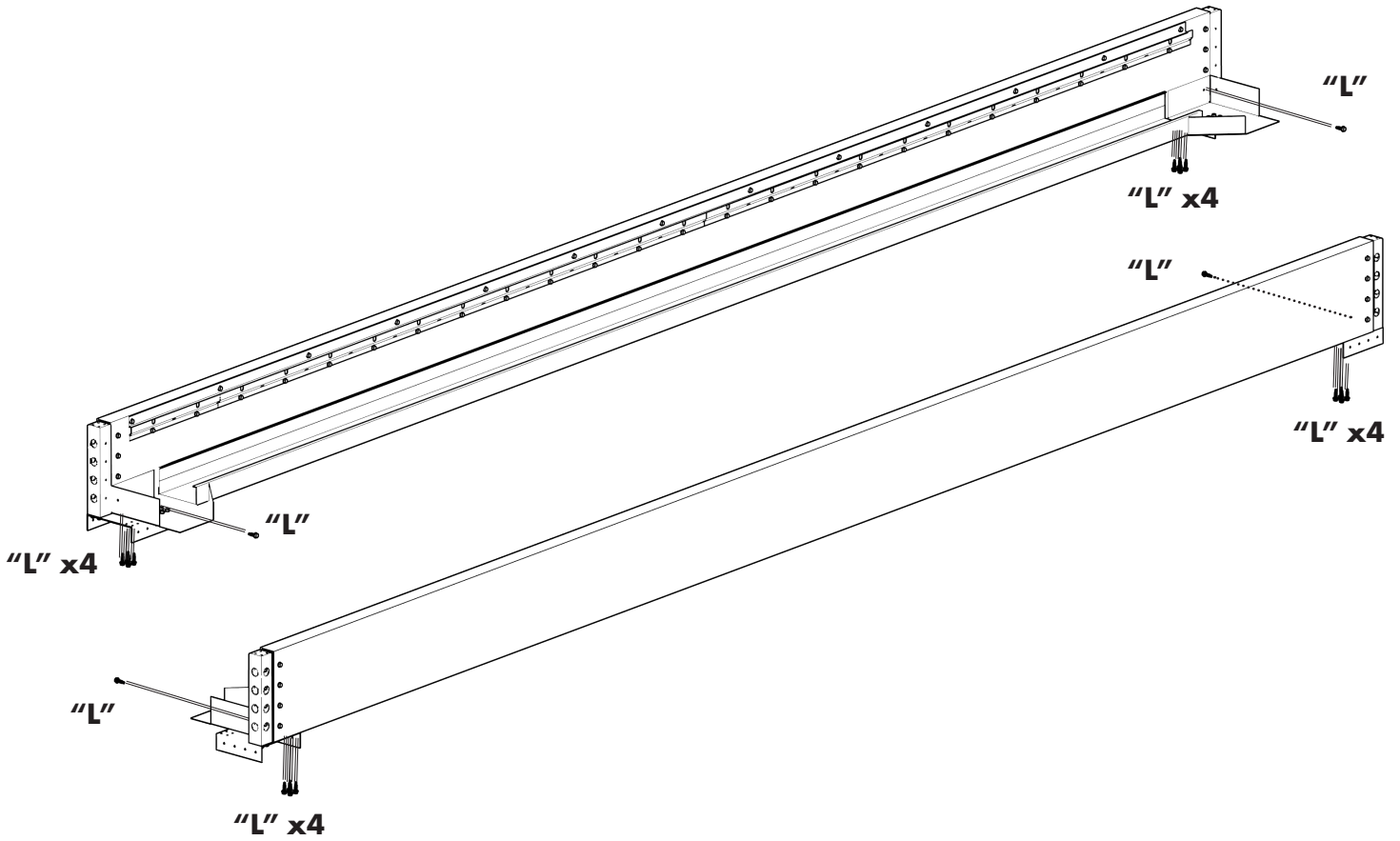
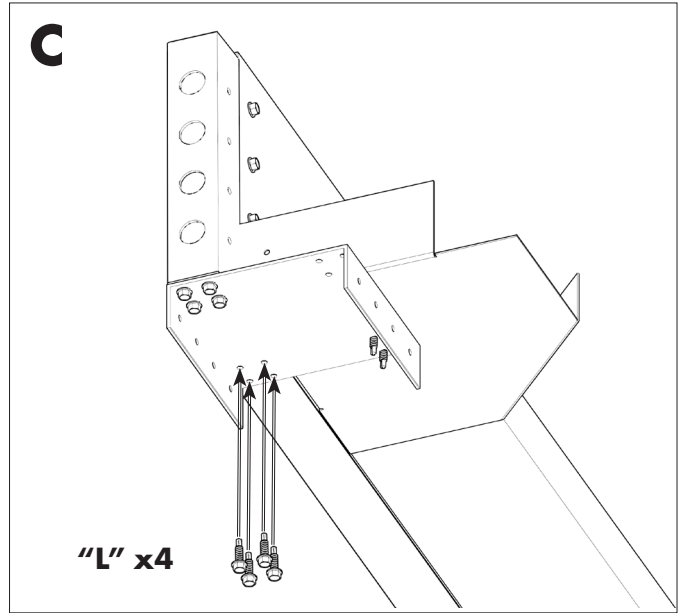
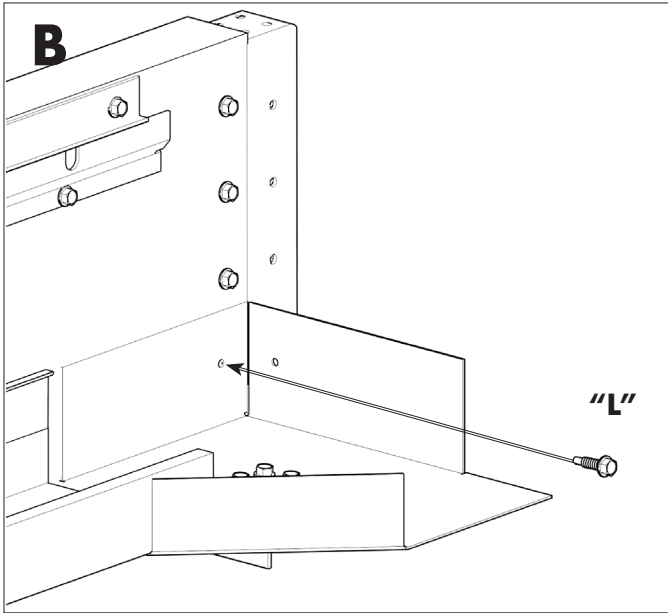


"B" x4

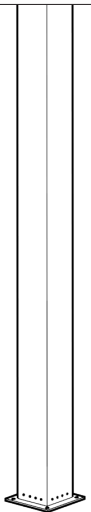
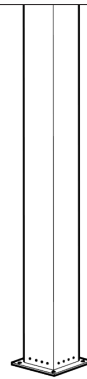
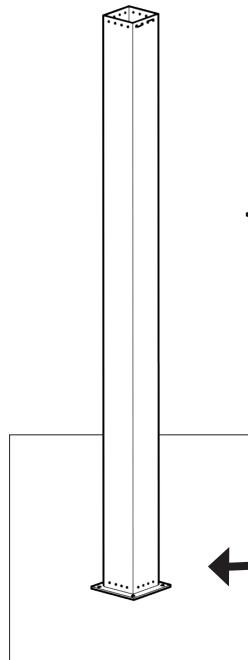
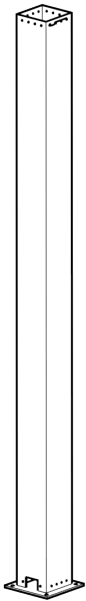
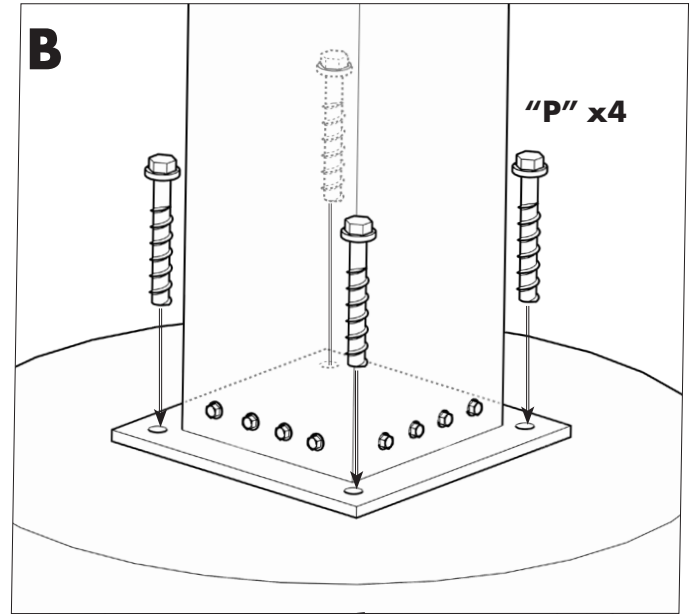
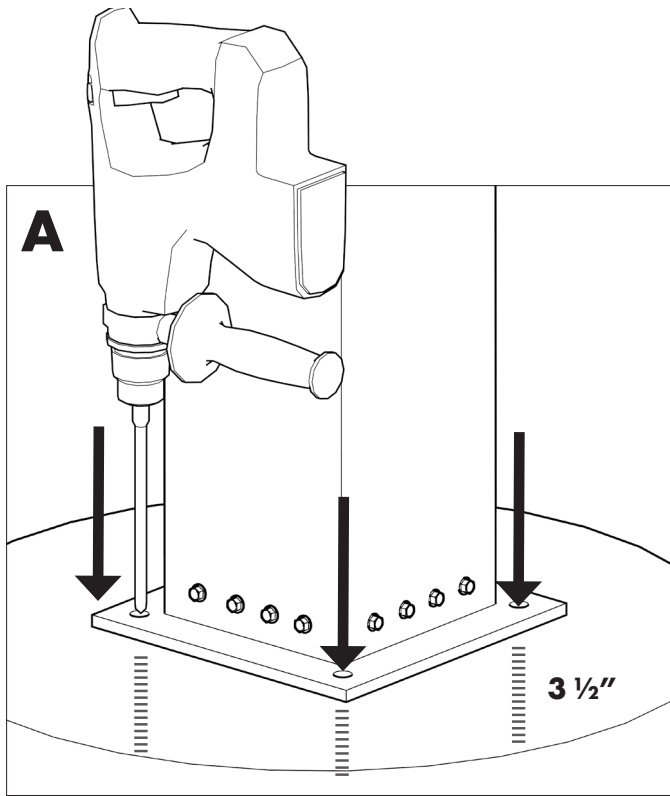
B

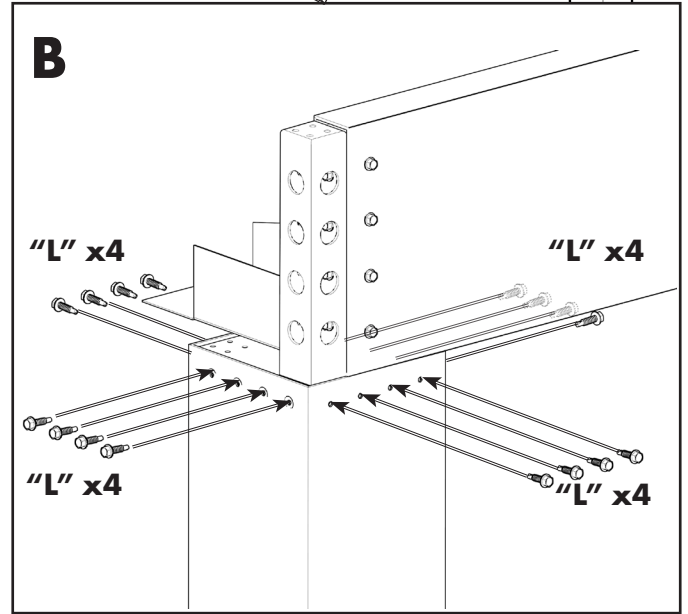
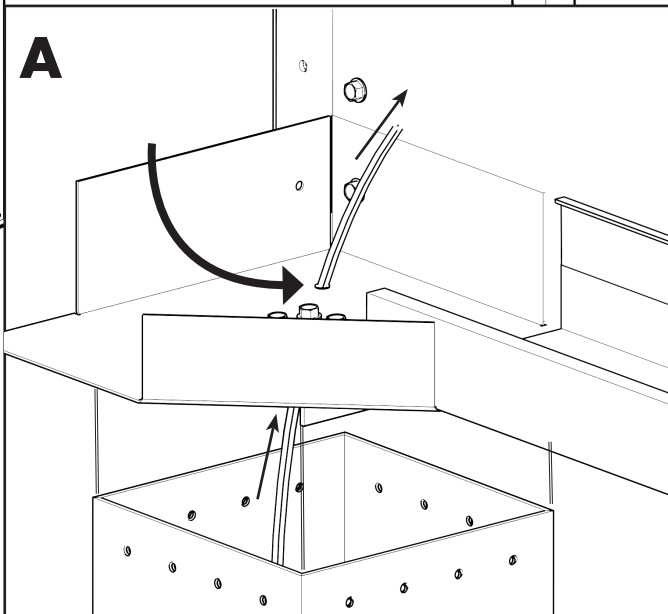
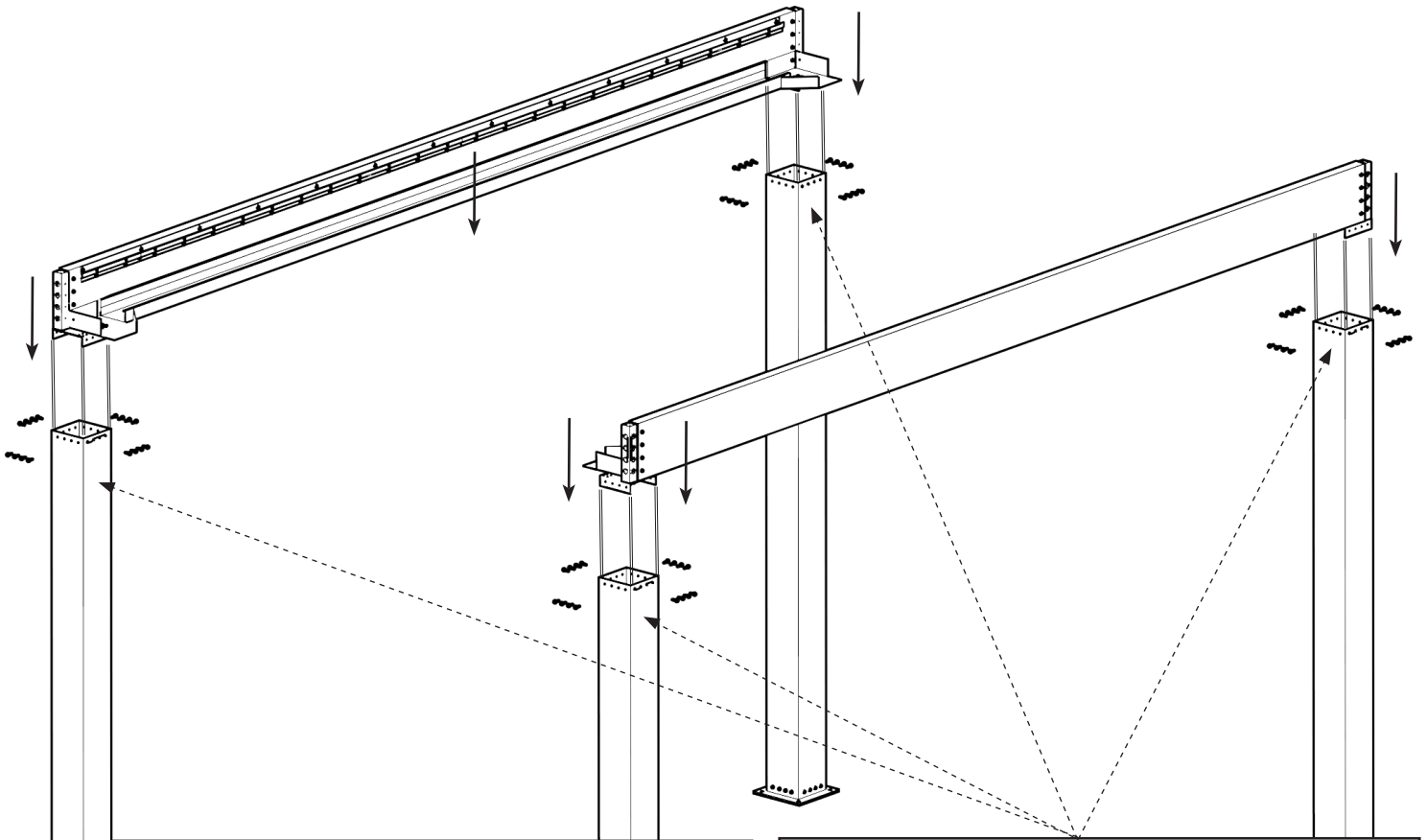


"C" x4

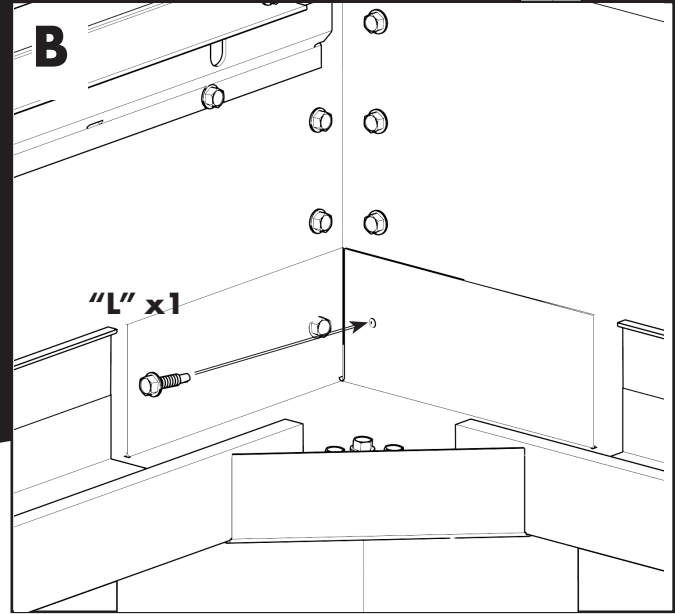
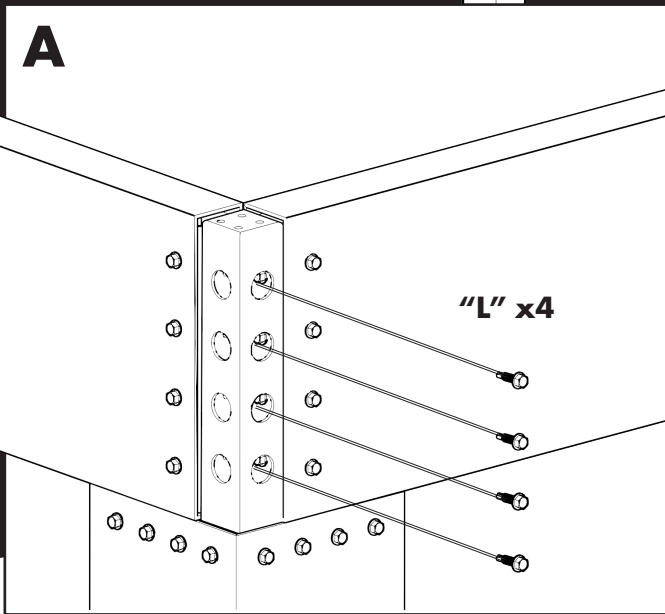
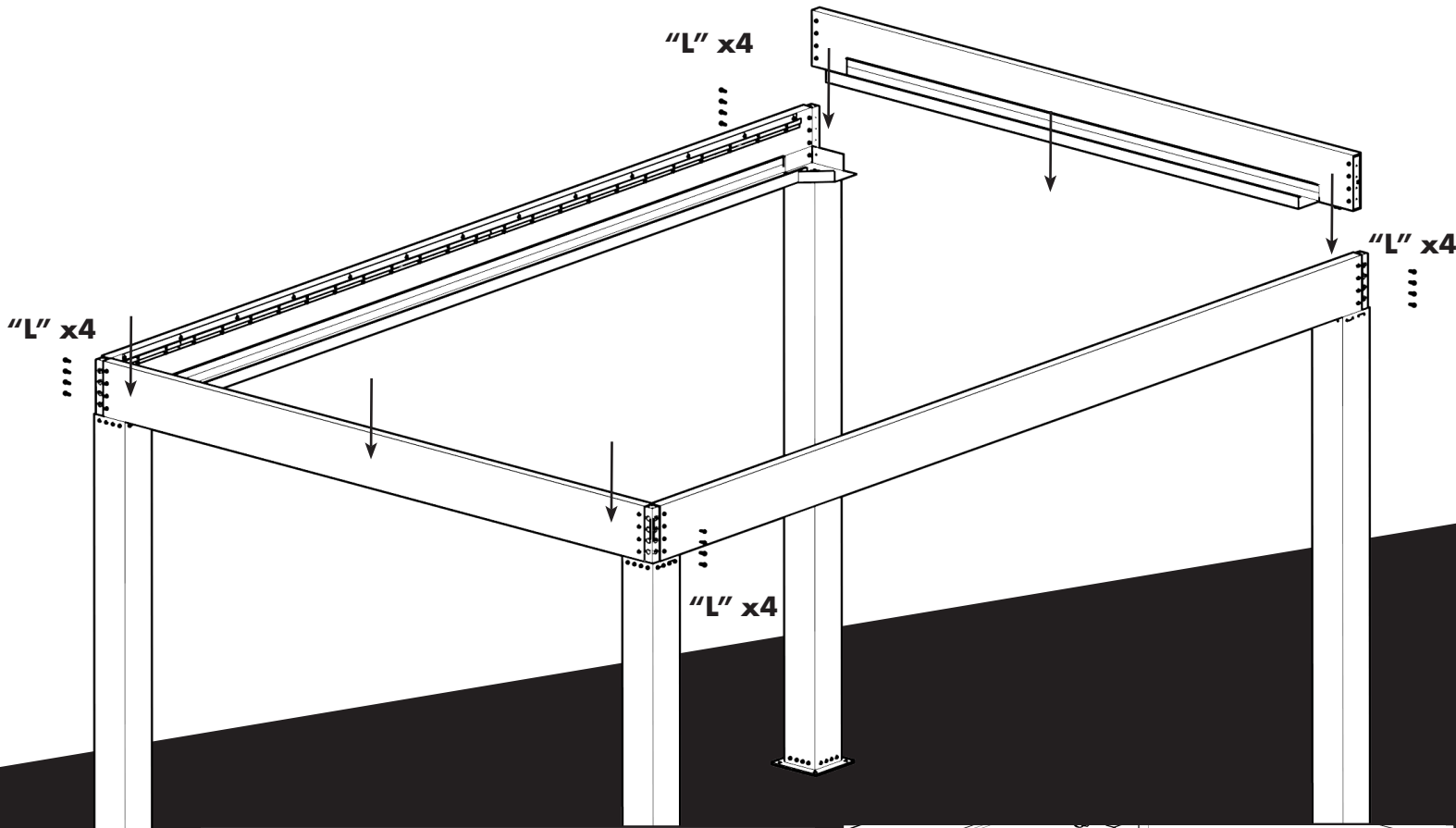


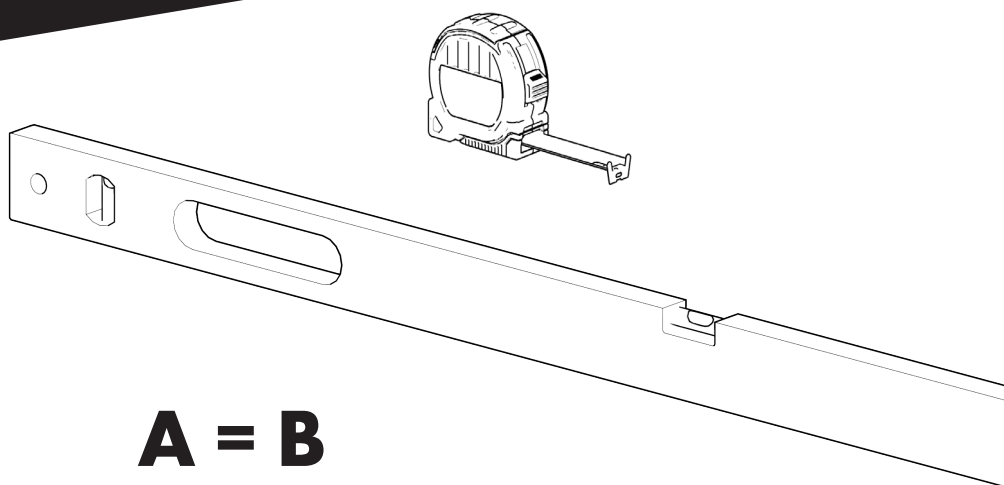
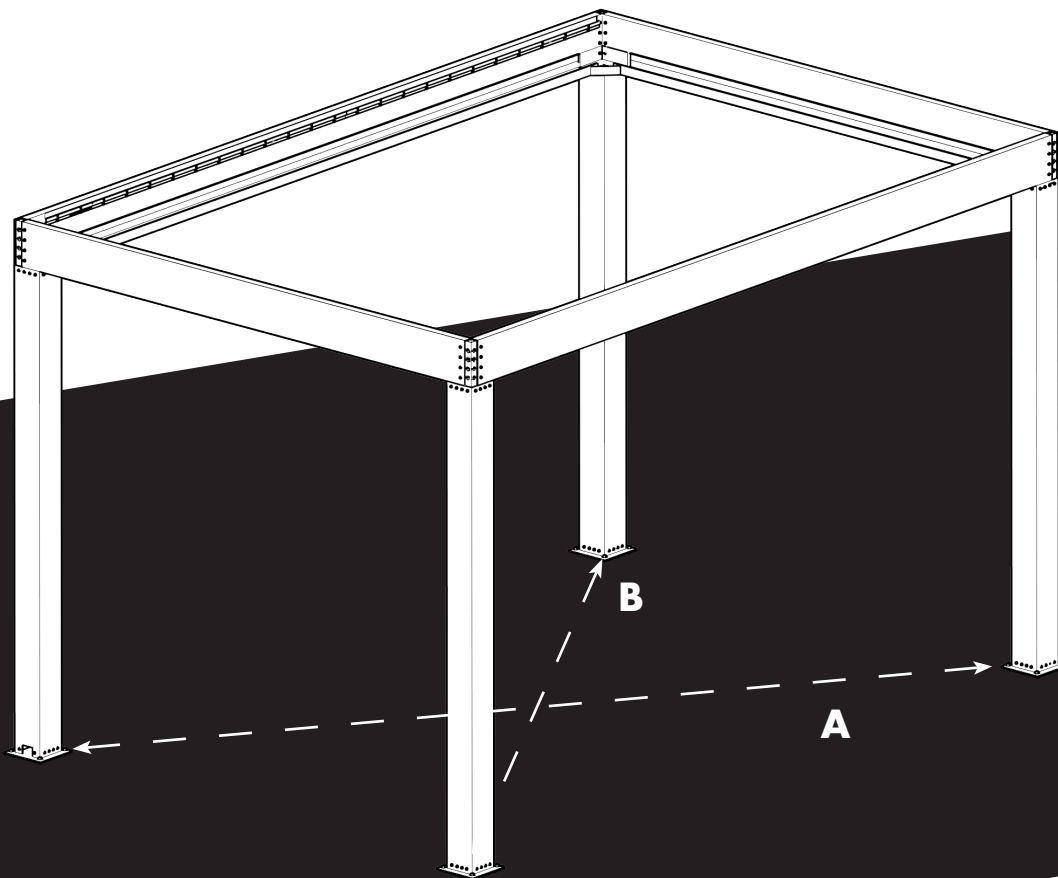
7





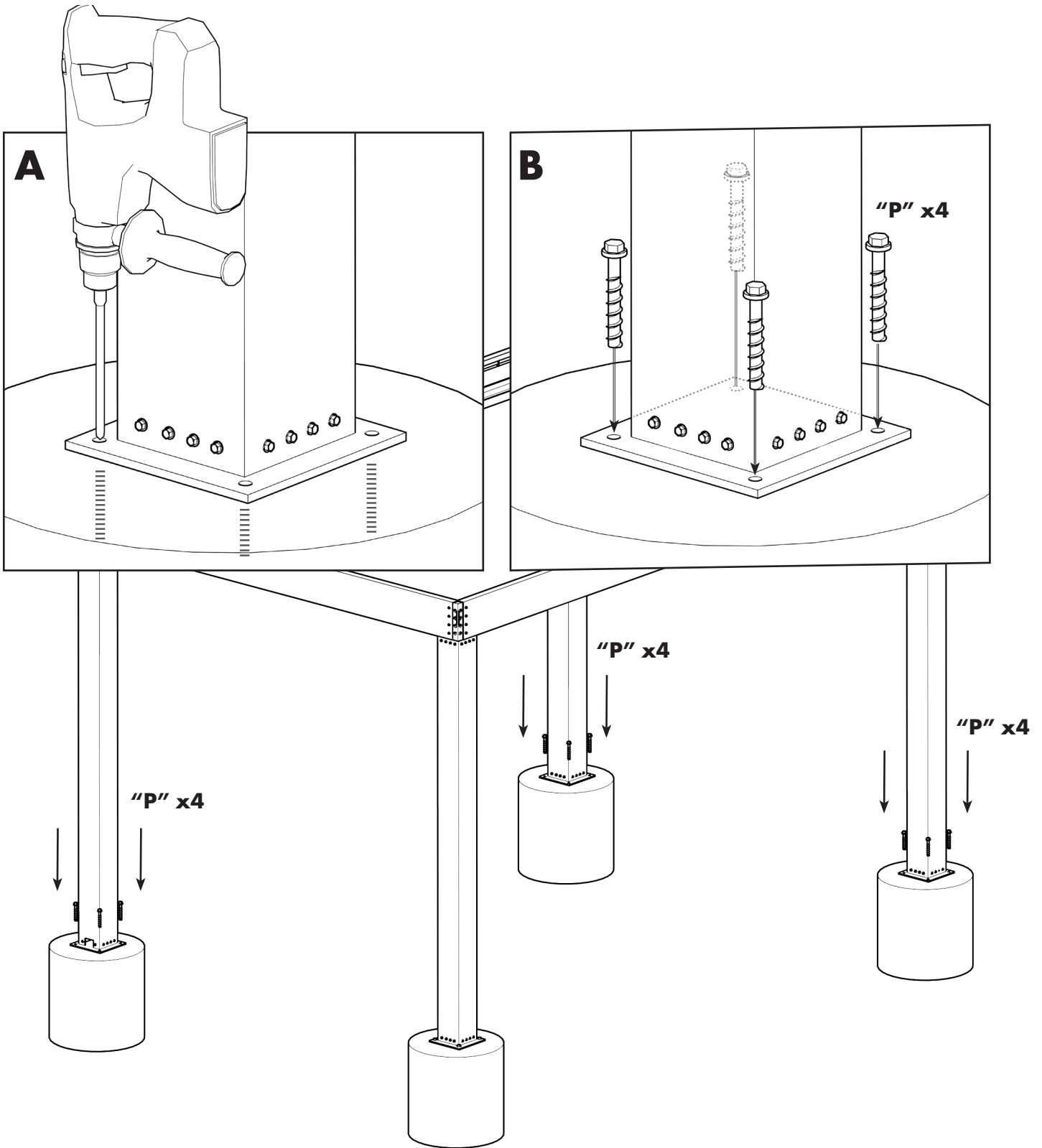
9

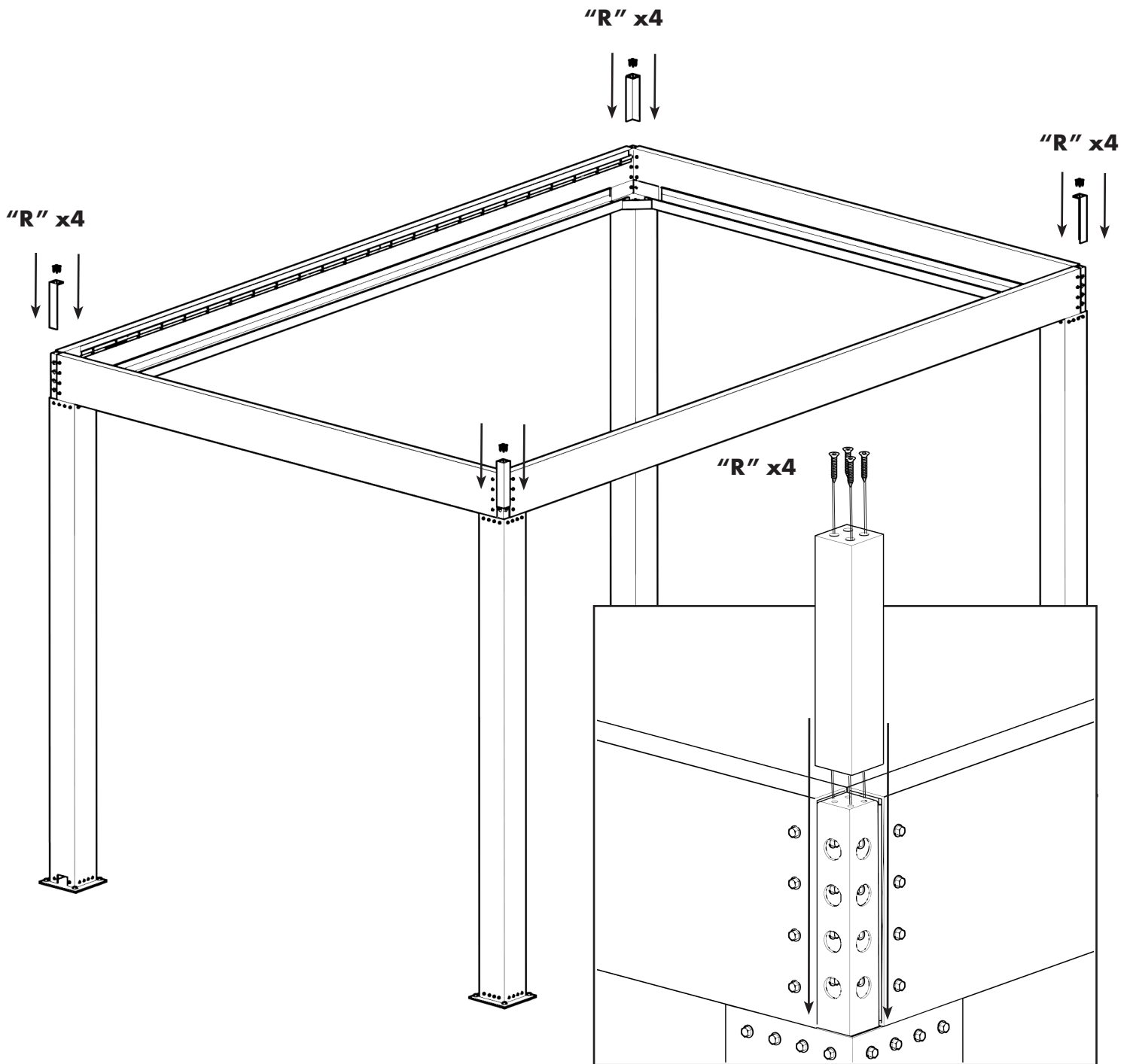




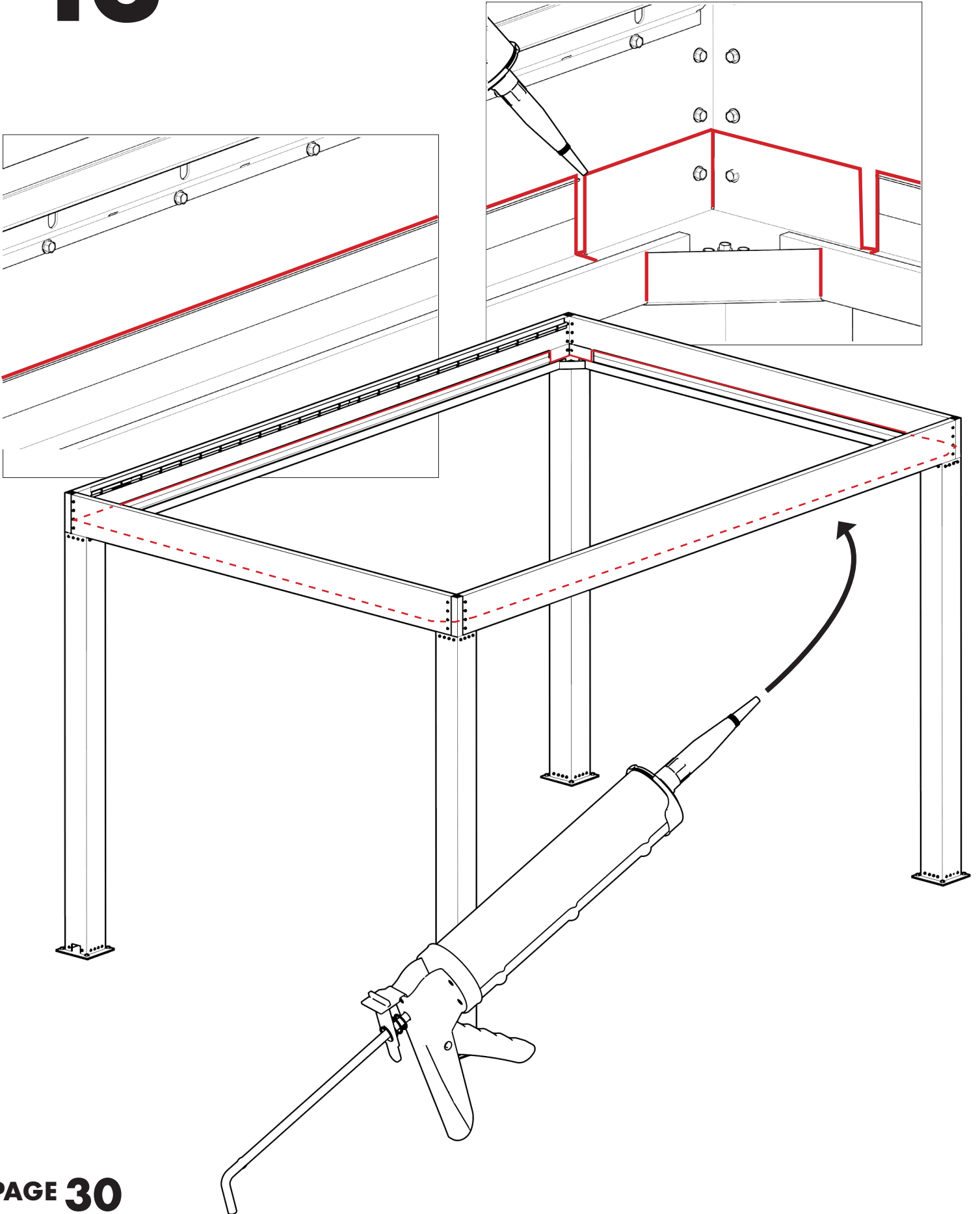
$$A = B$$

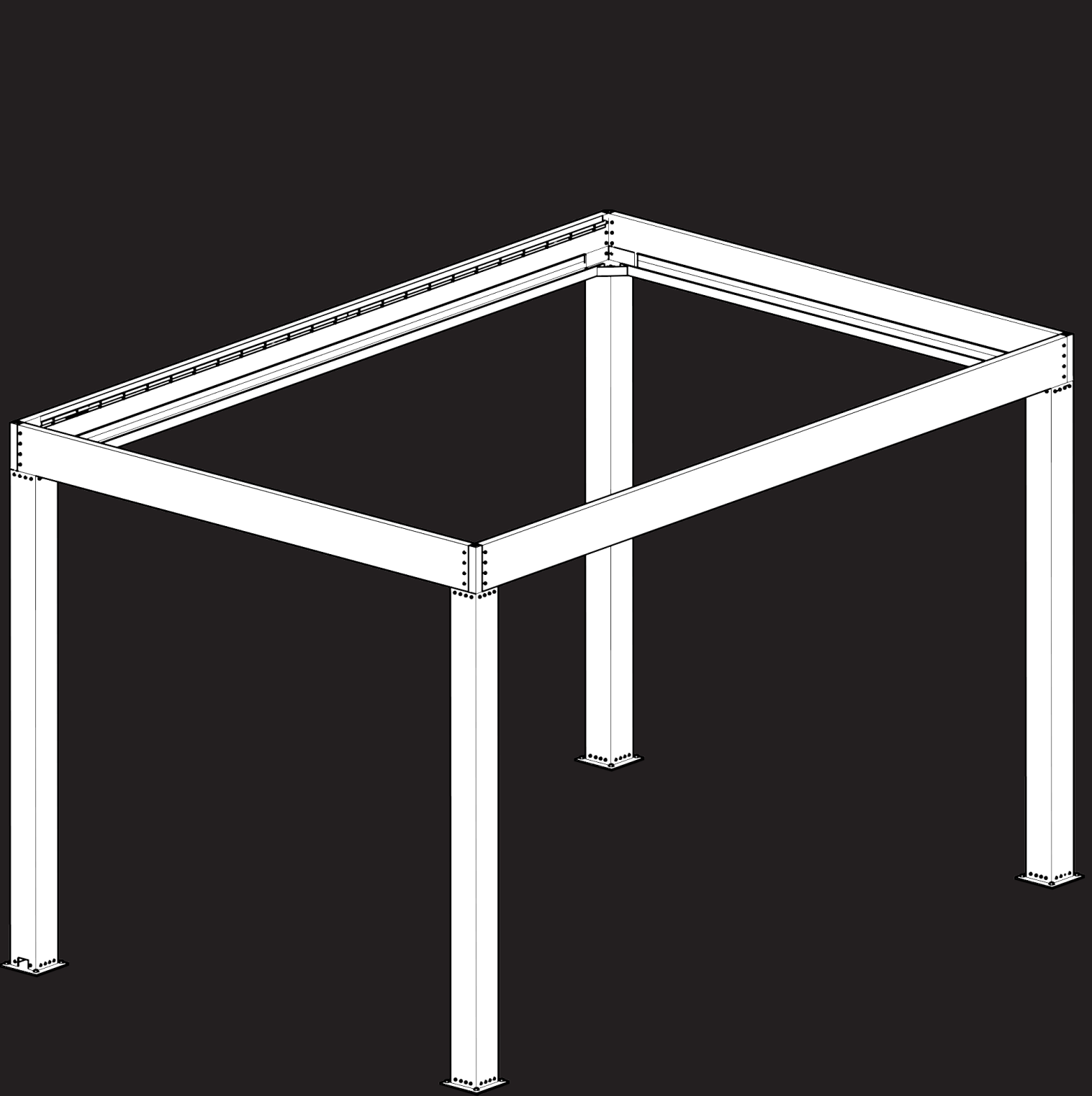
11





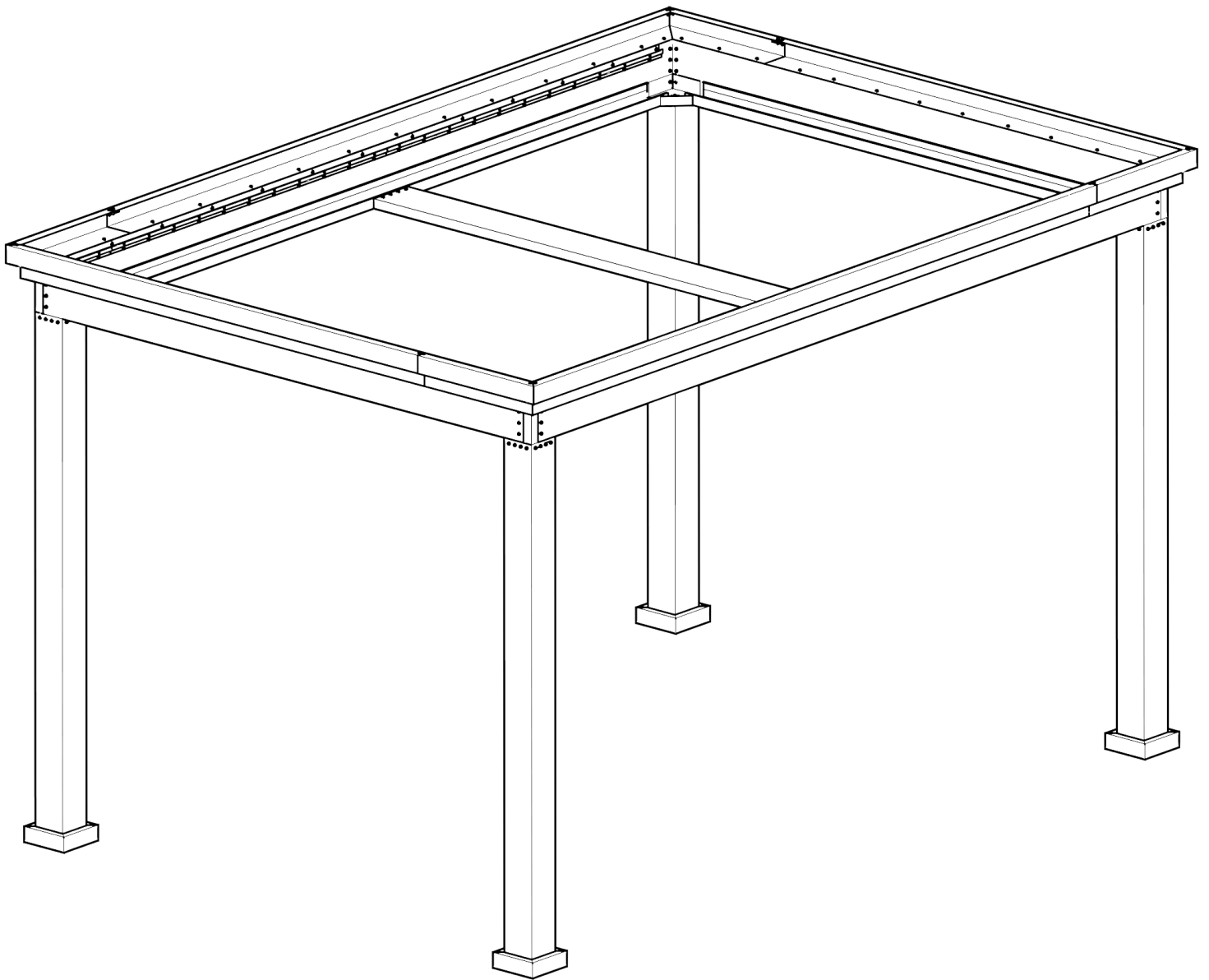
13



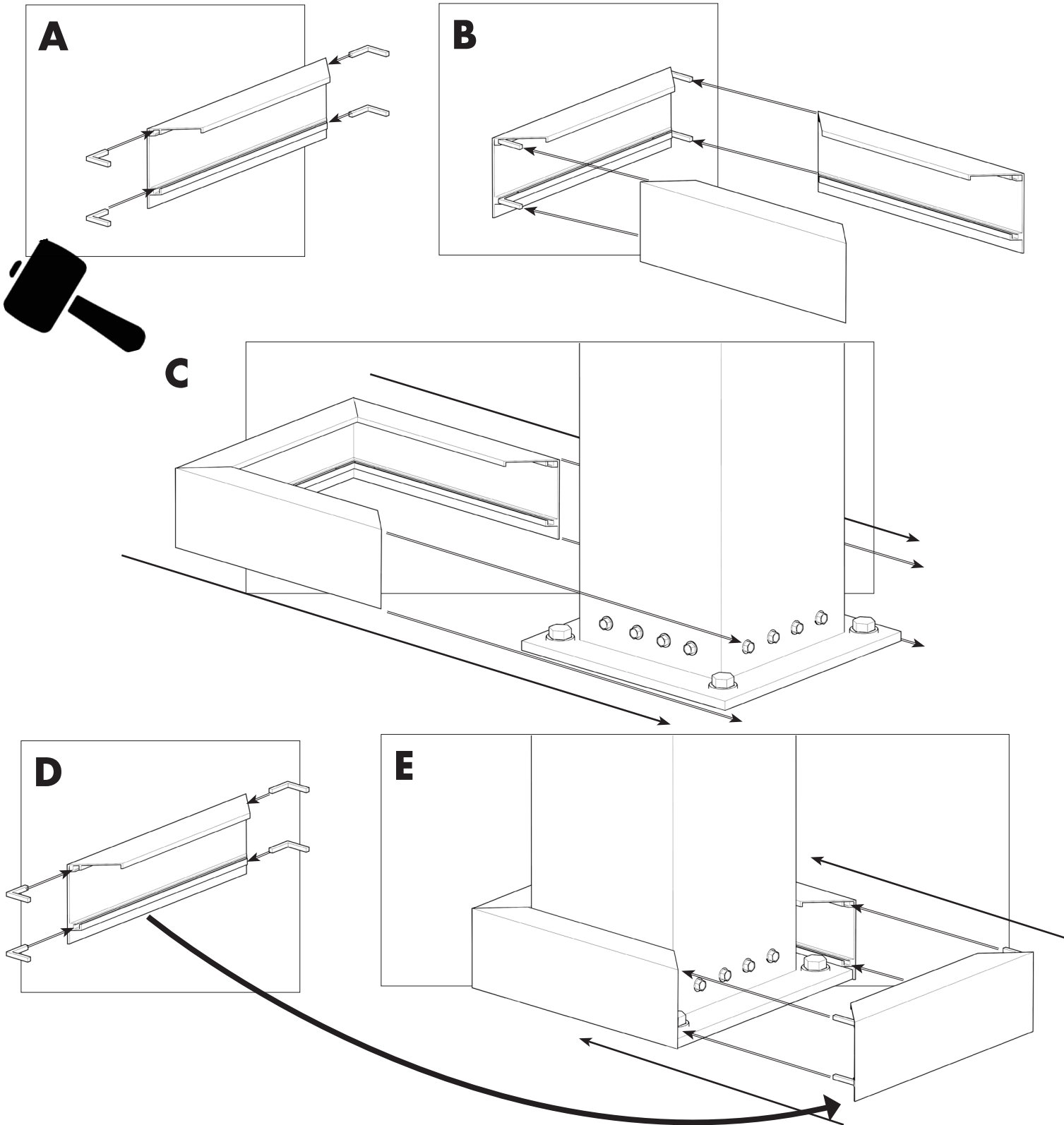


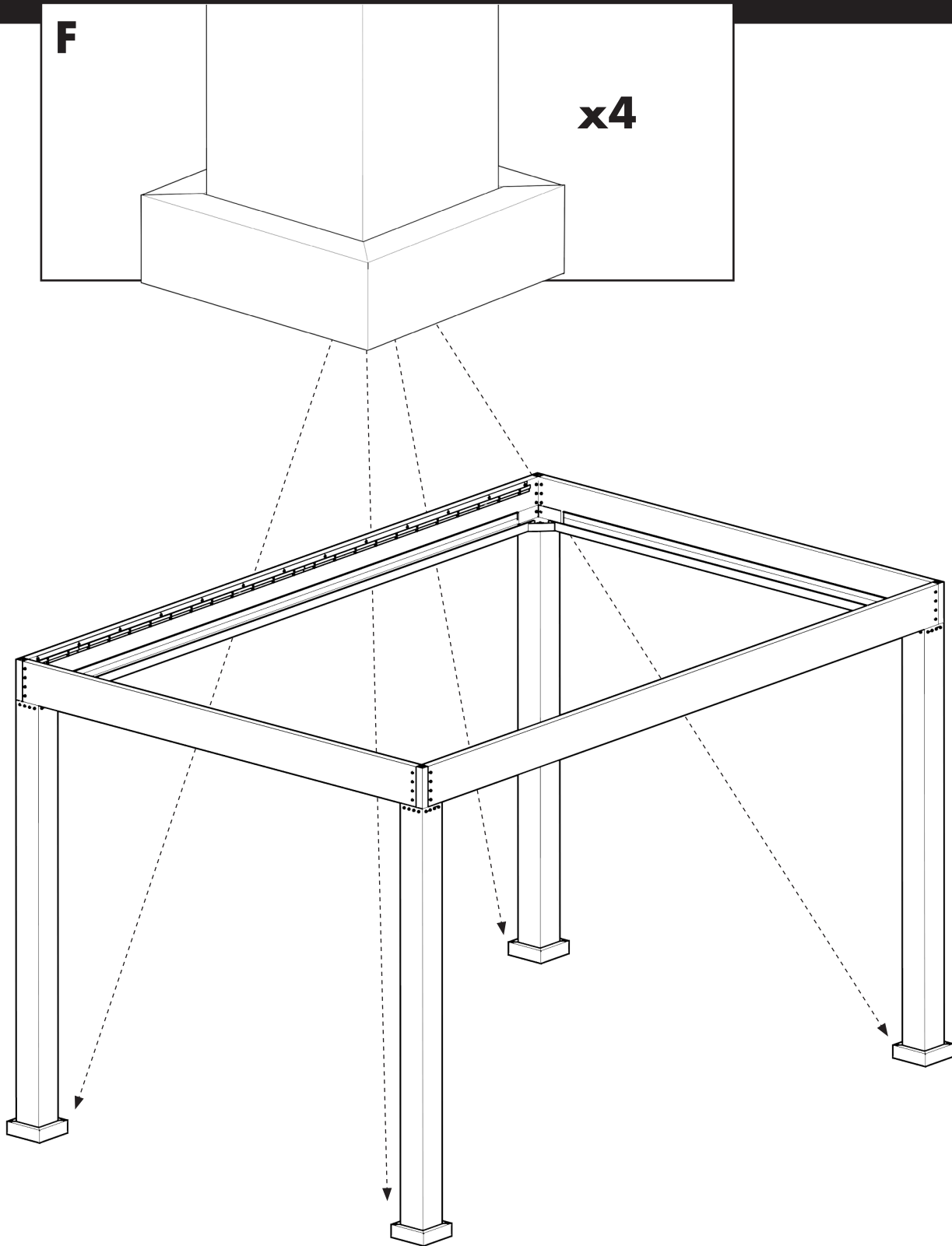
PART 2

INSTALLING THE ACCESSORIES *(optional)*

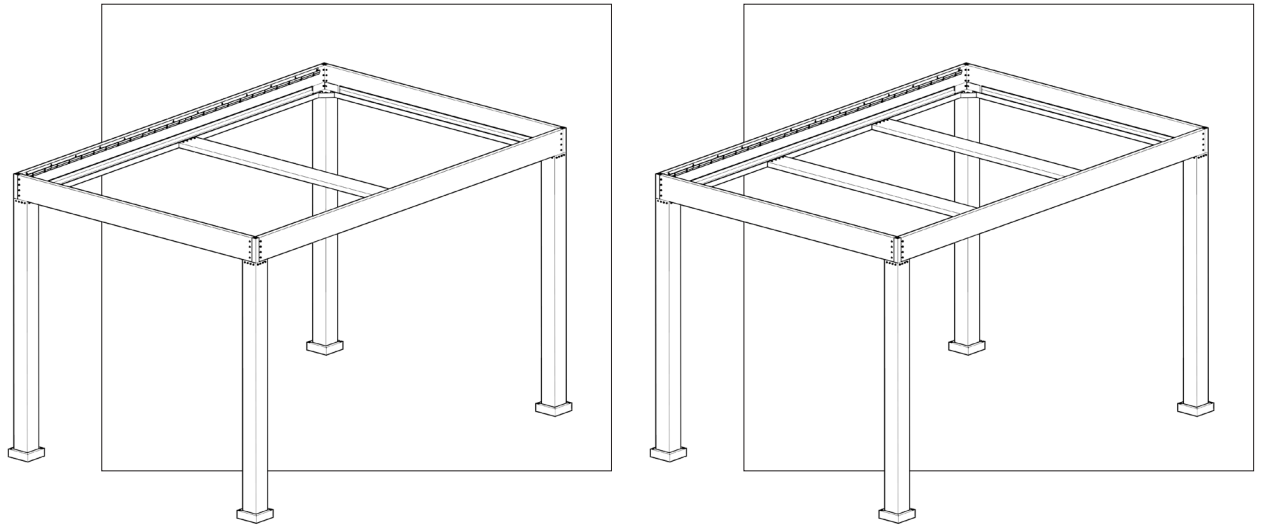


1

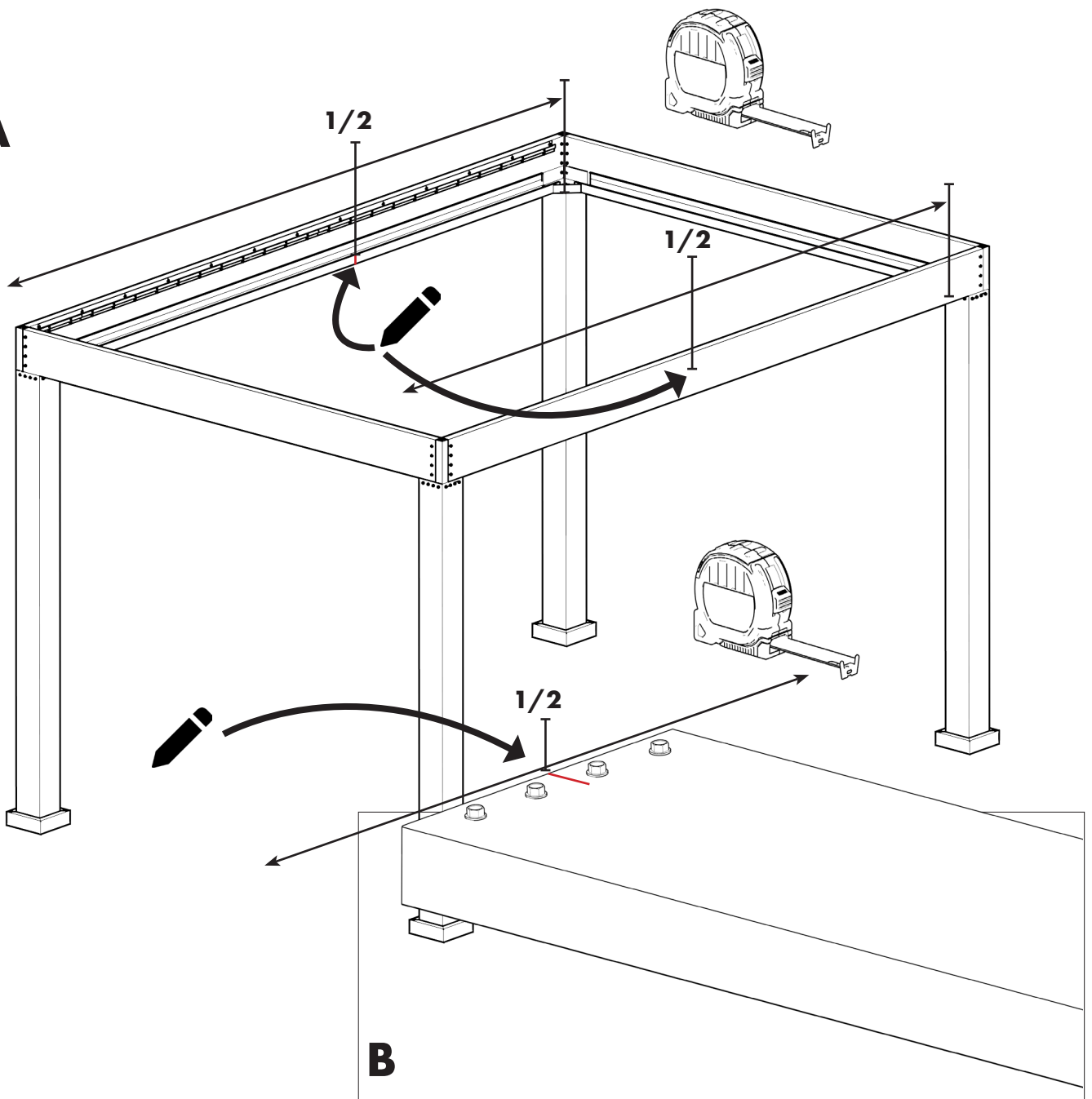




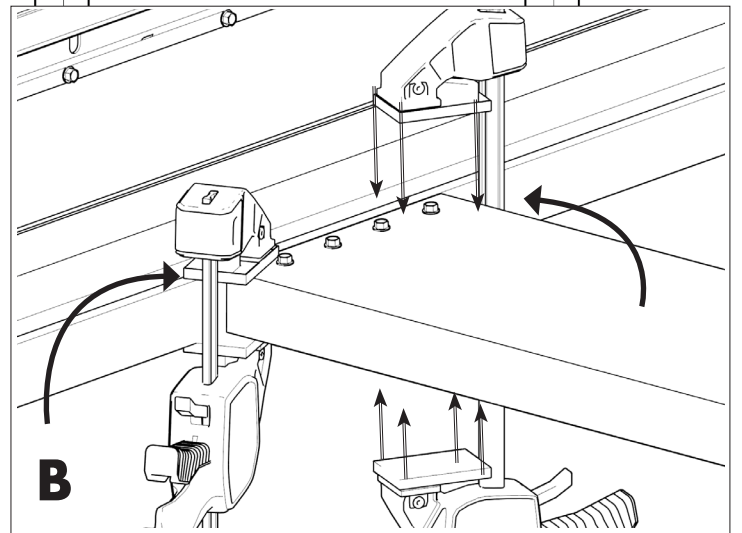
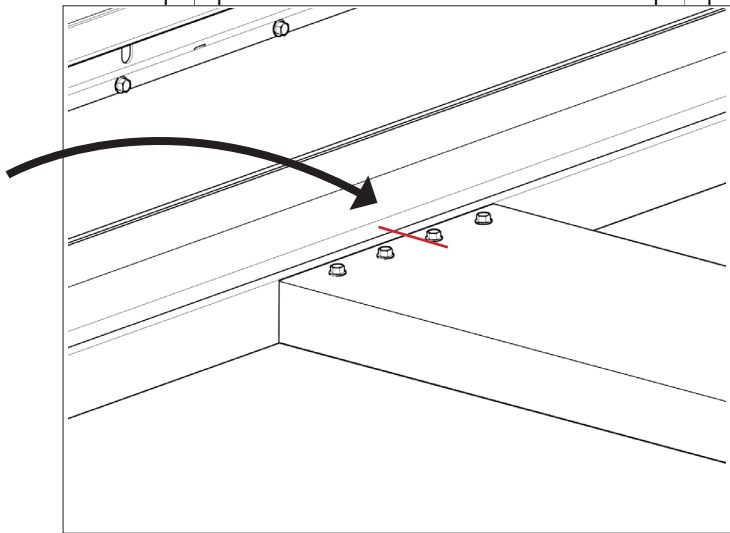
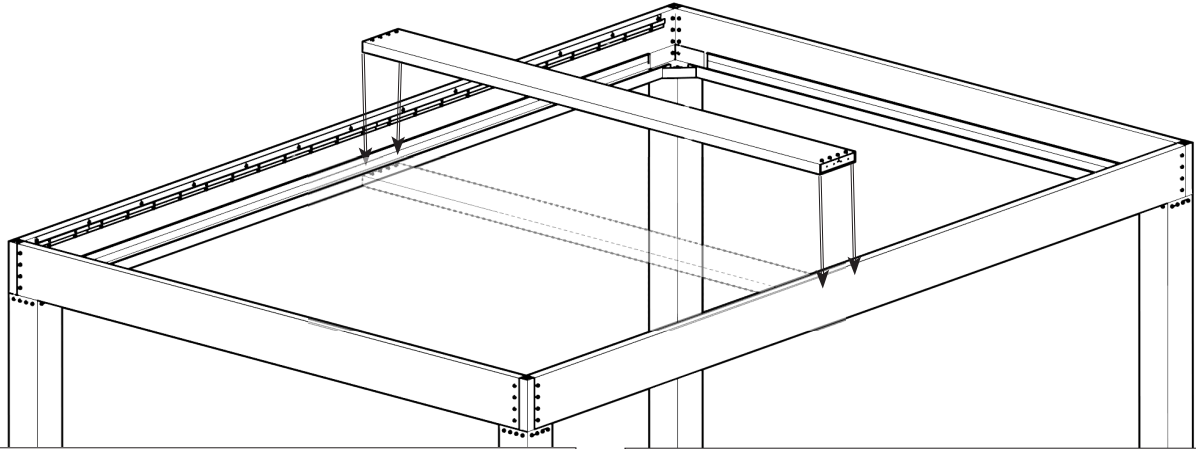
2



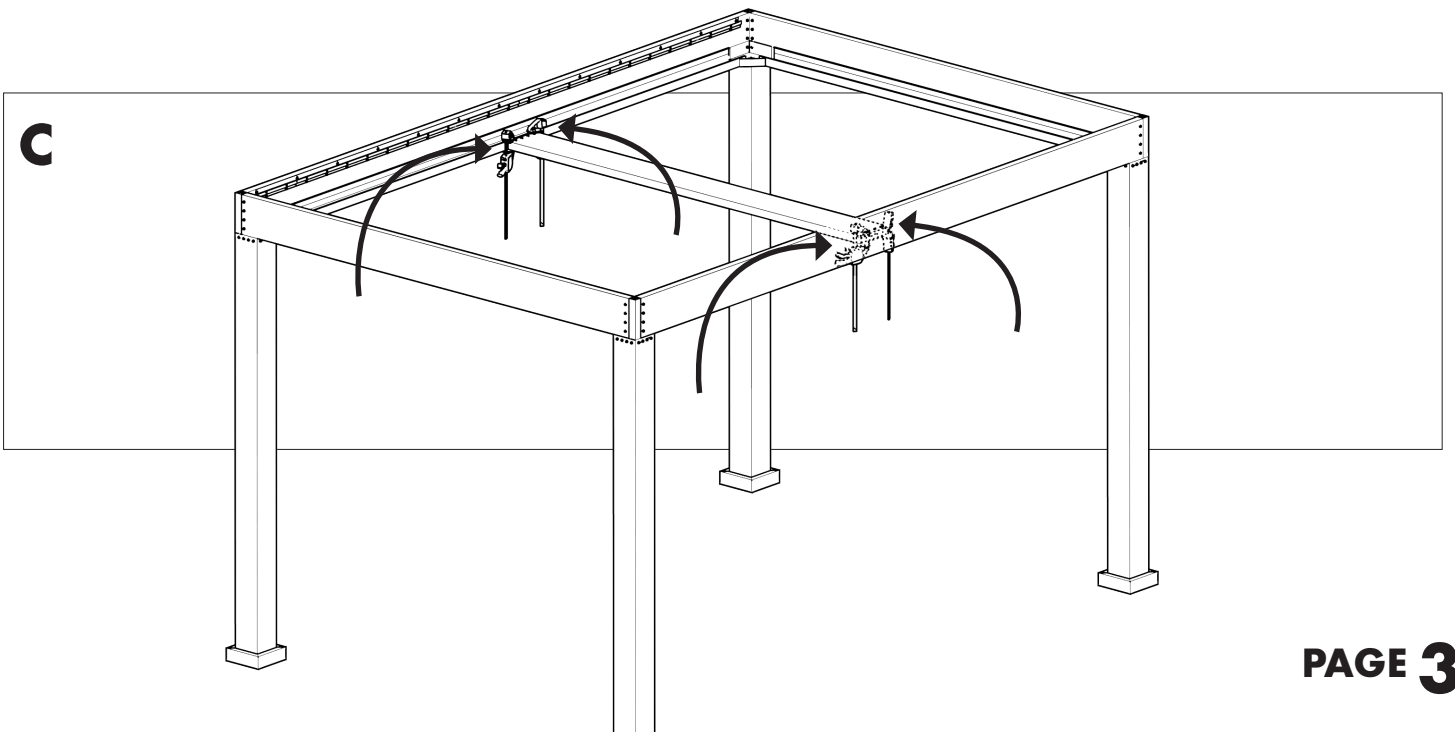
A



A

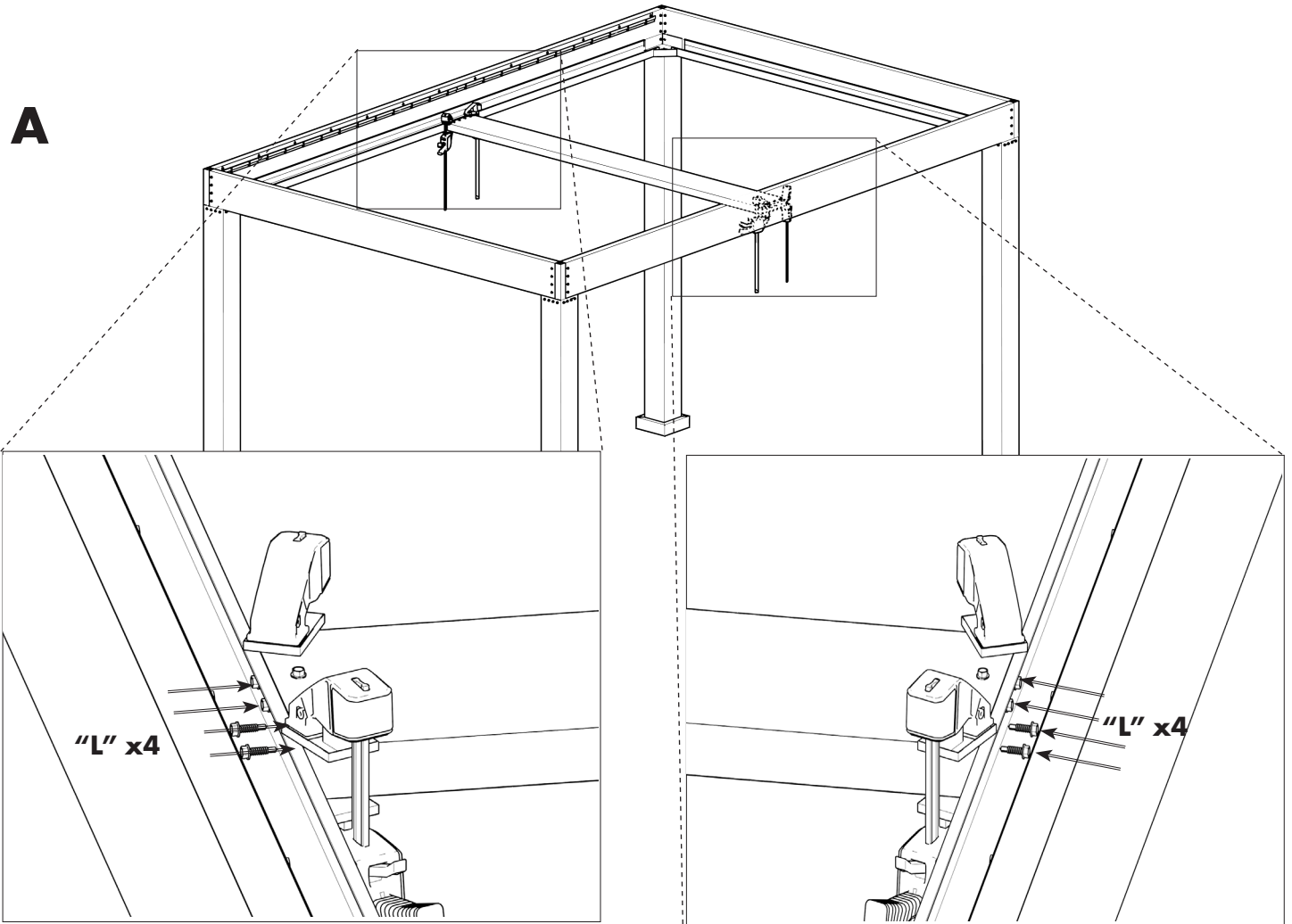


C

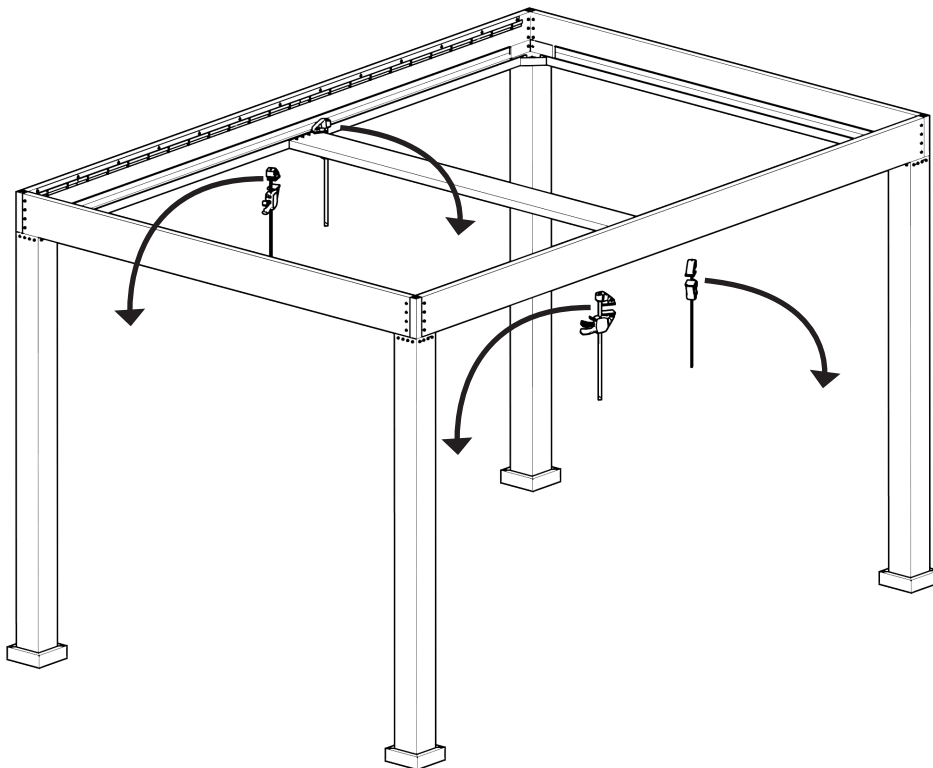


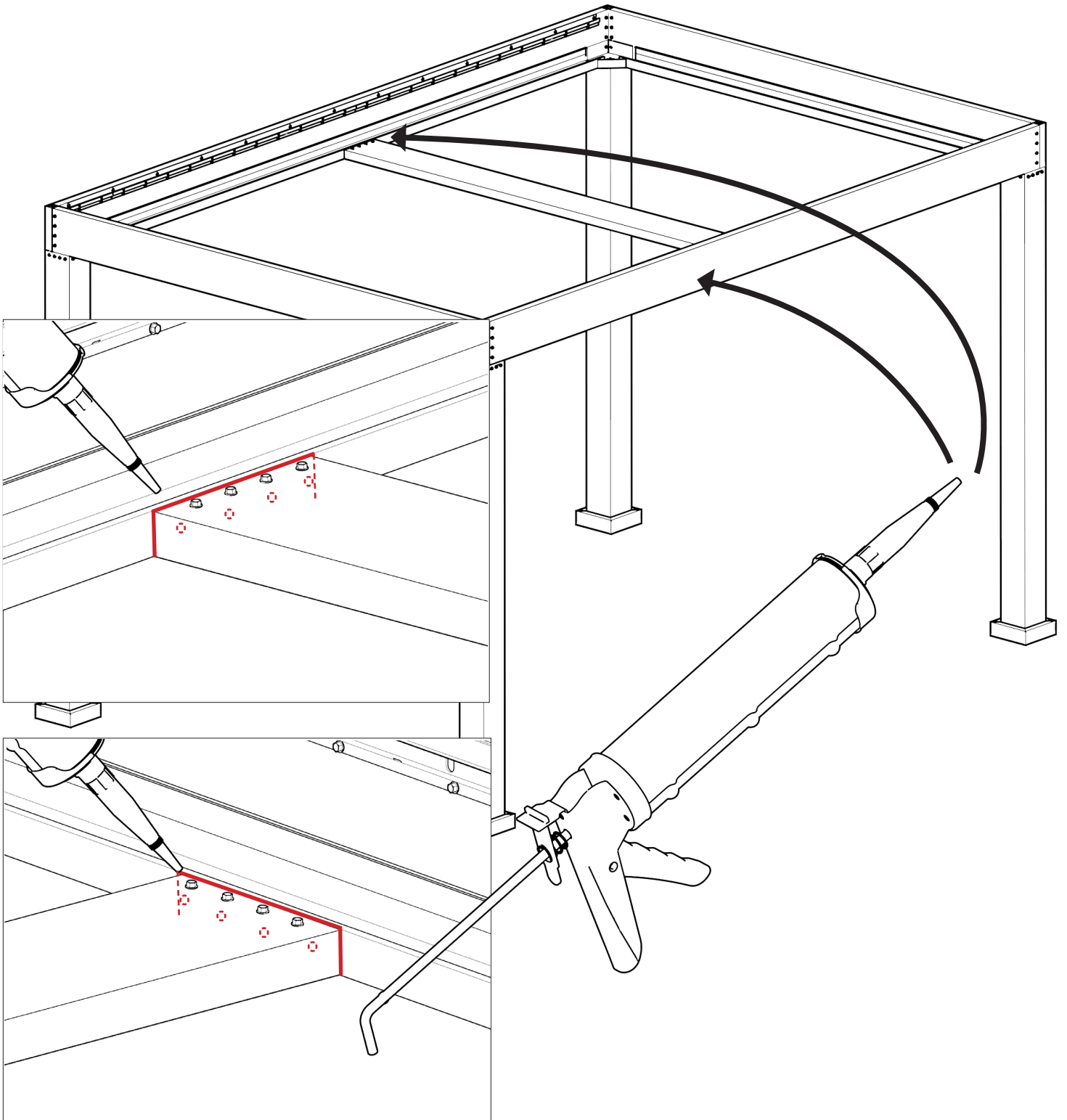
4

A

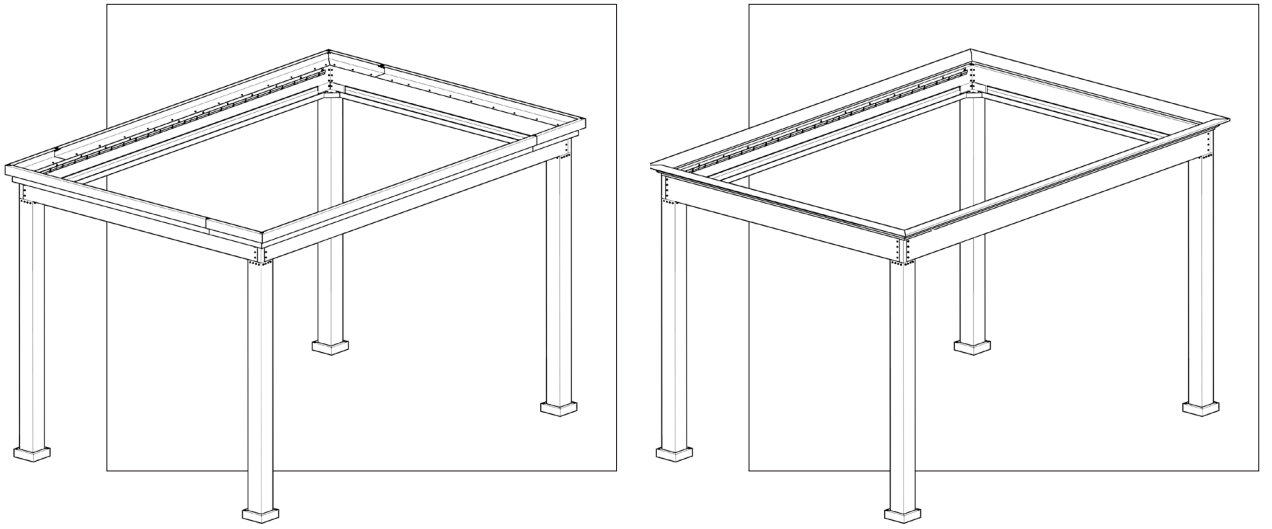


B

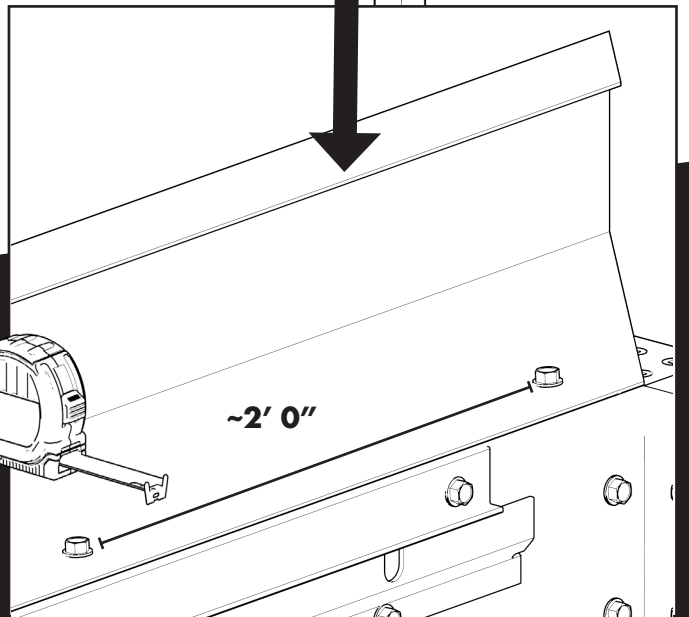
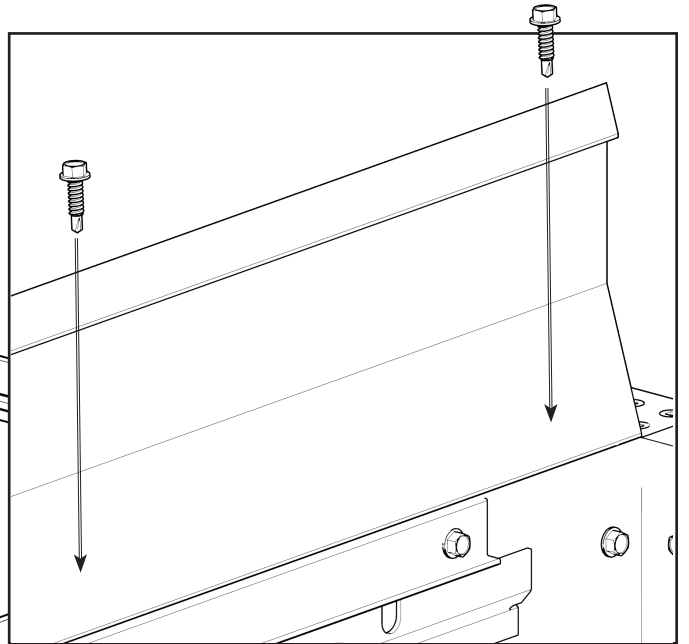
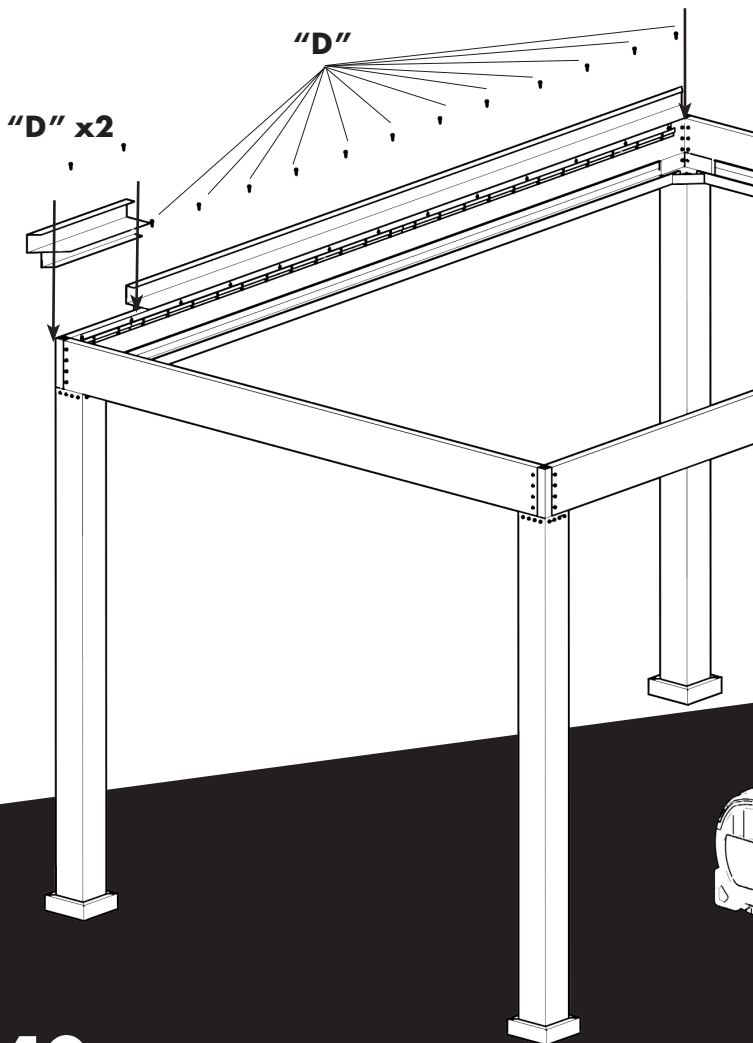


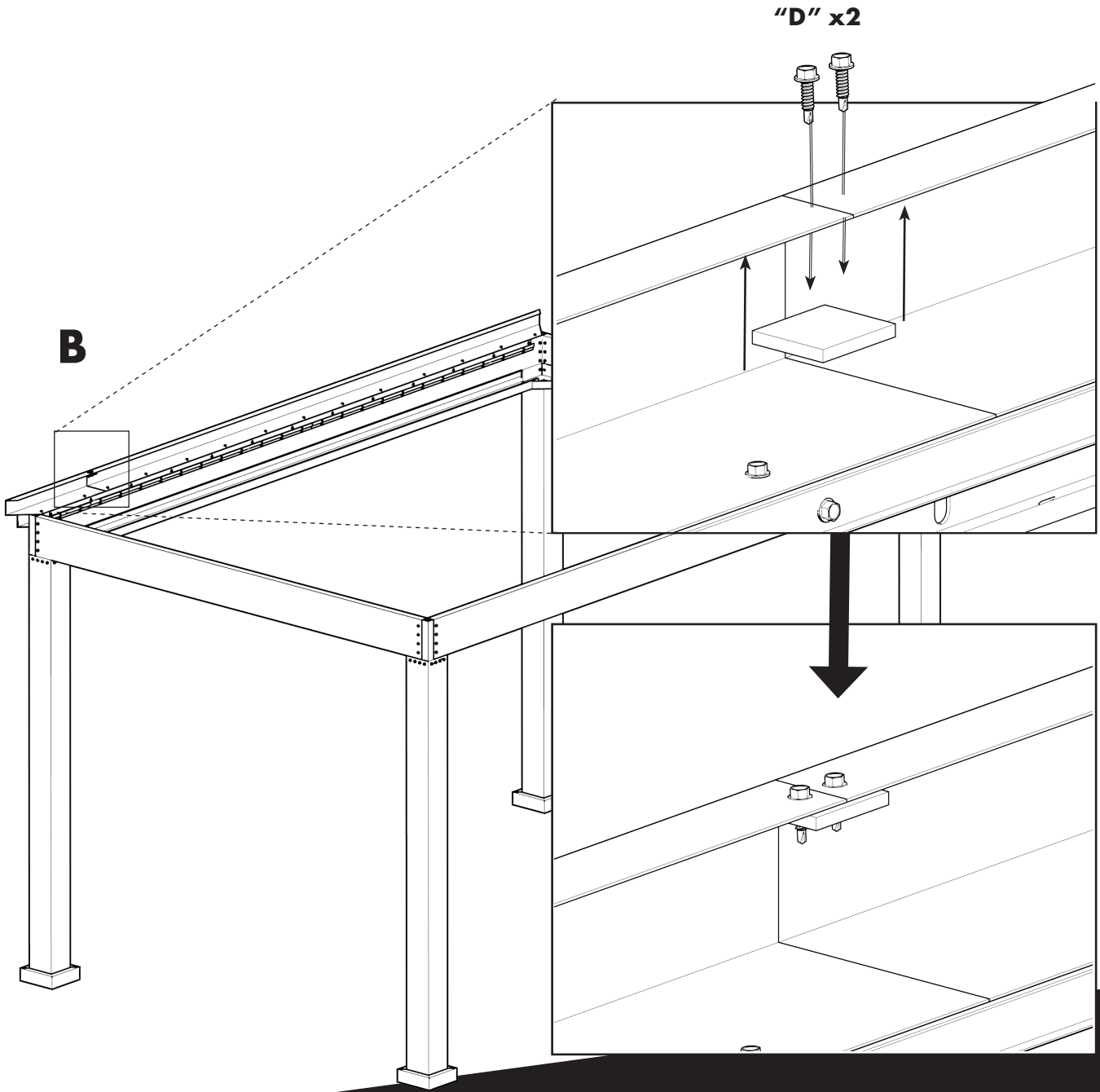


6

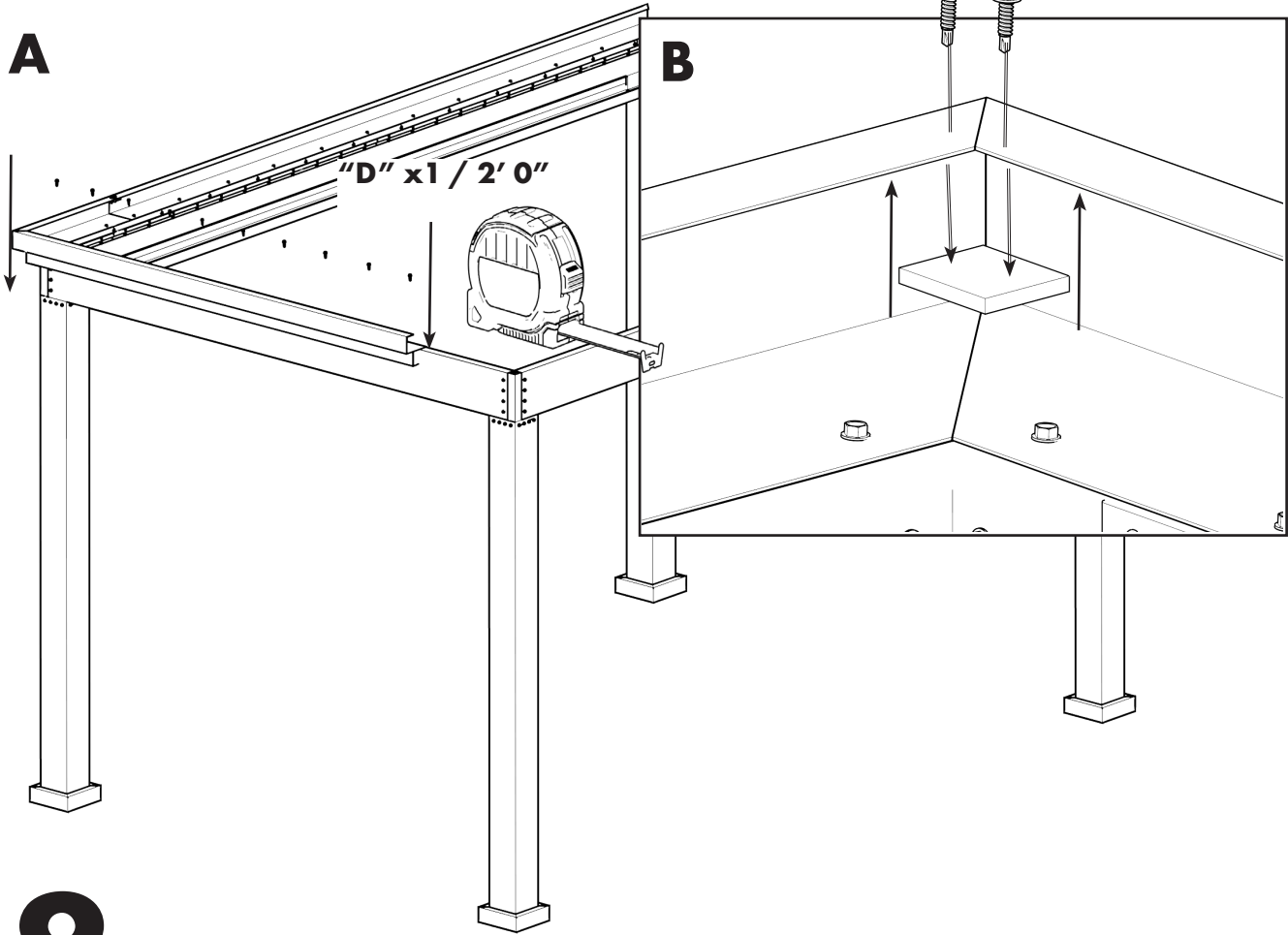


A

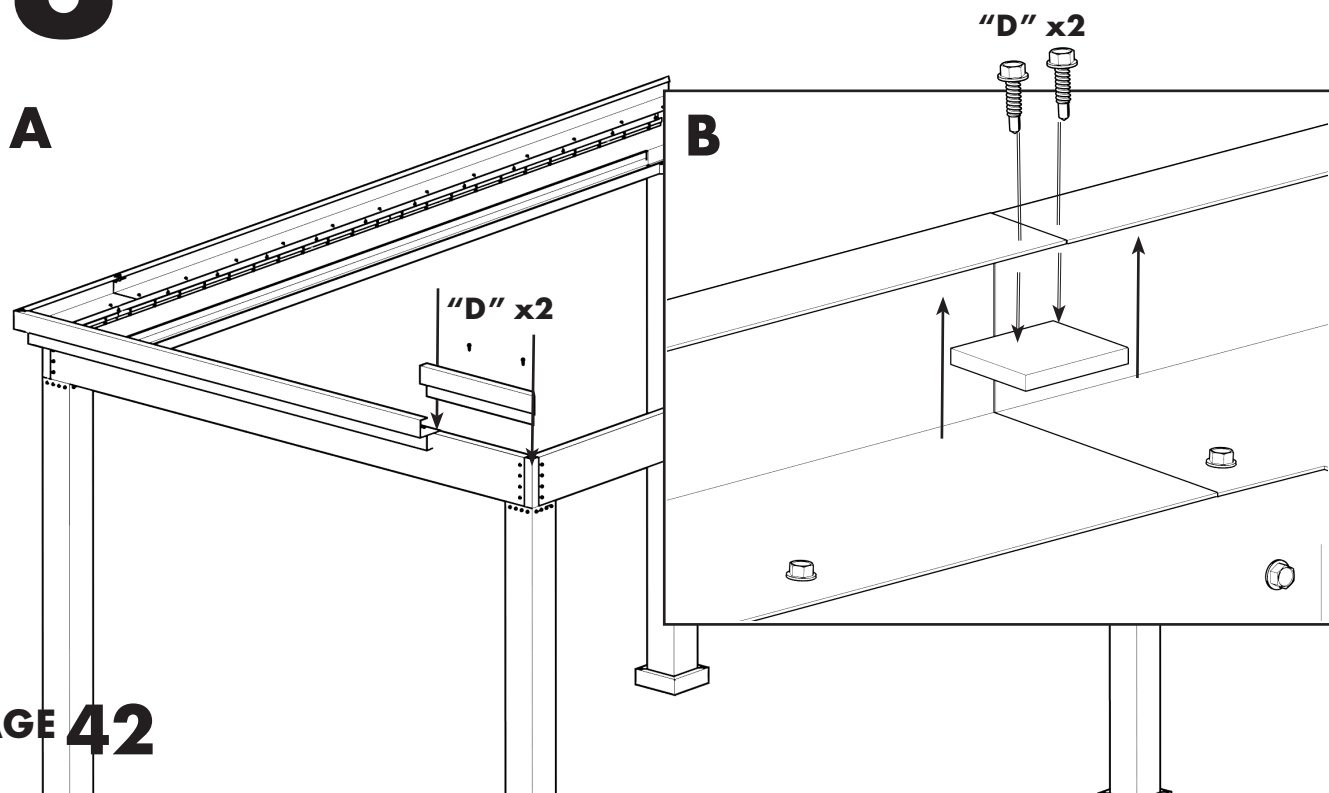


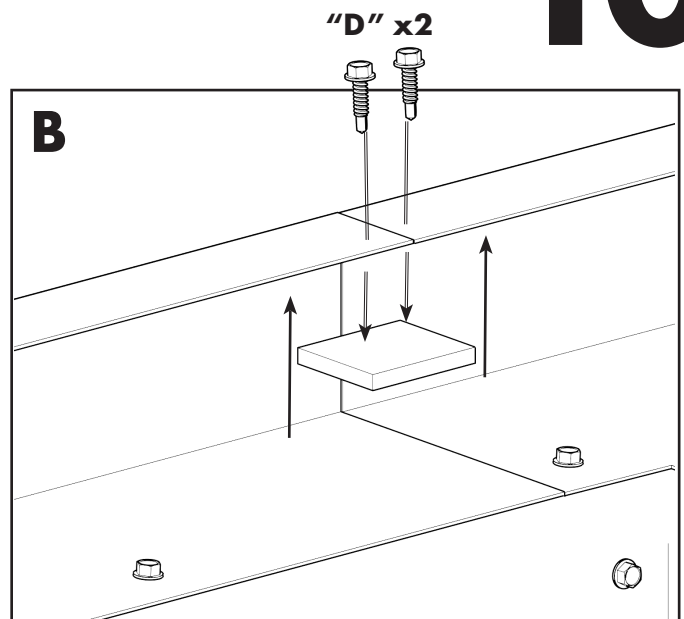
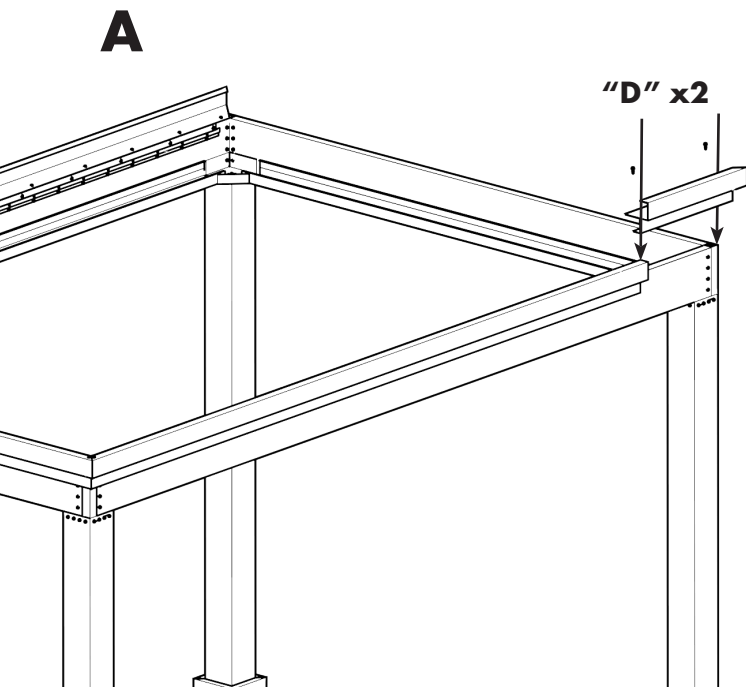
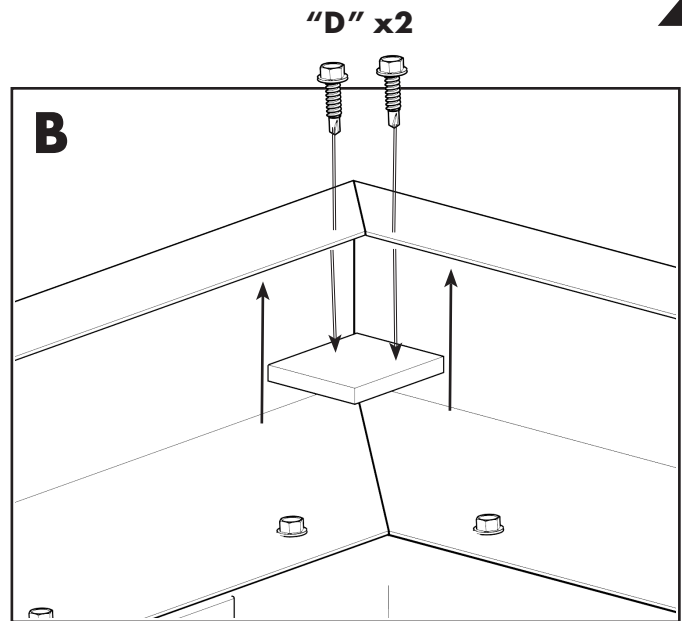
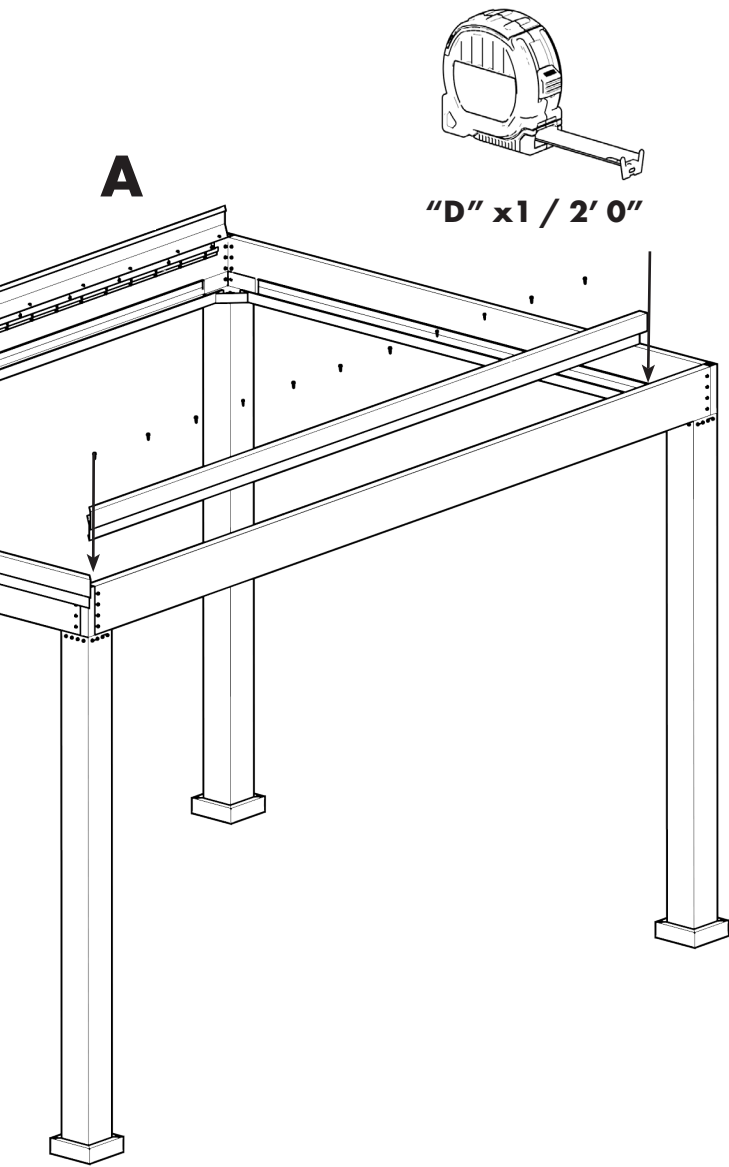


7

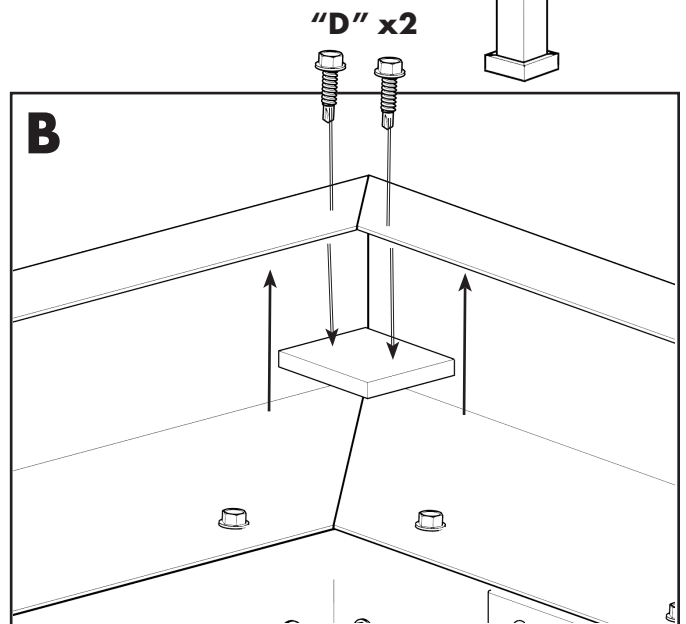
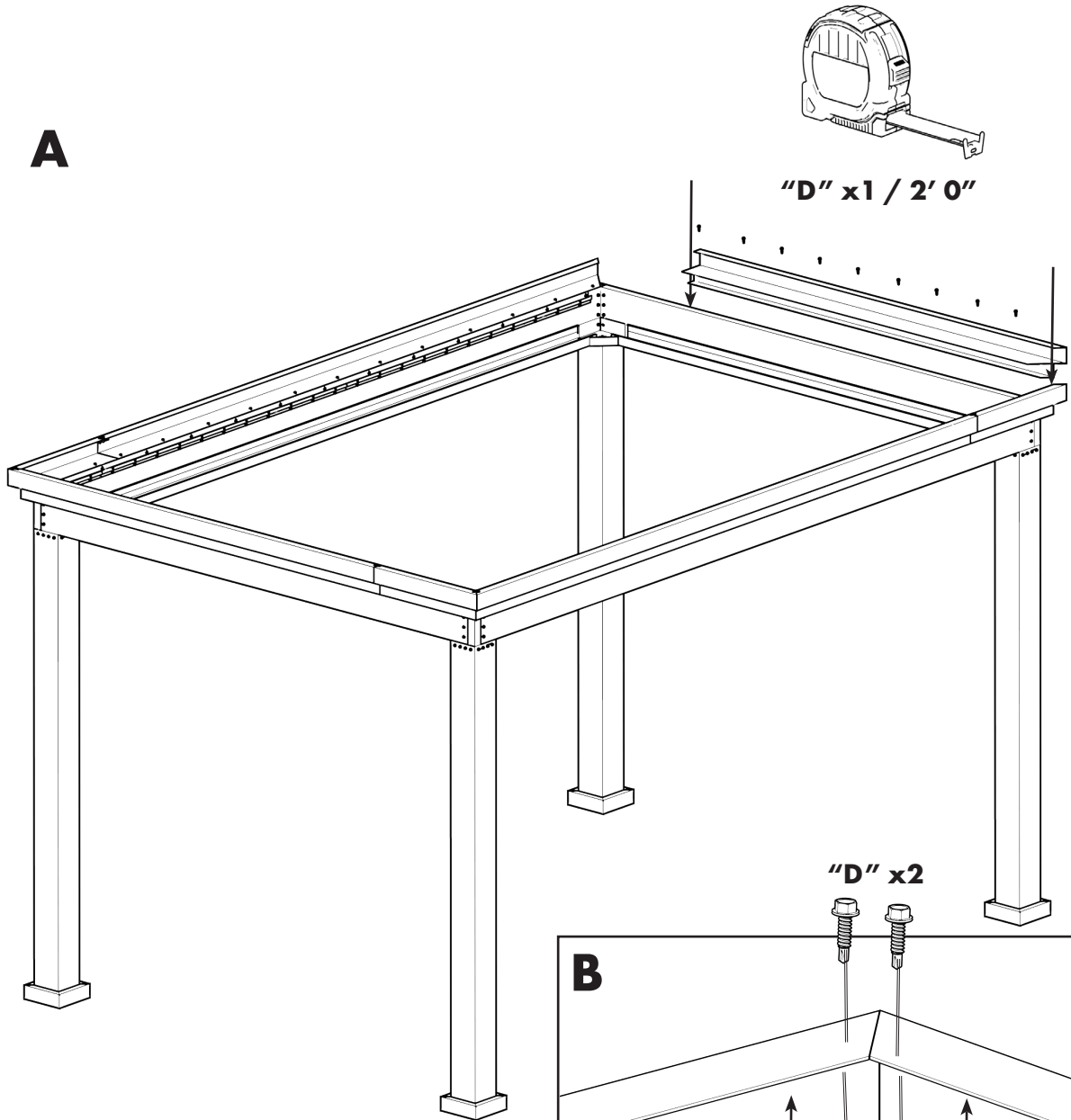


8

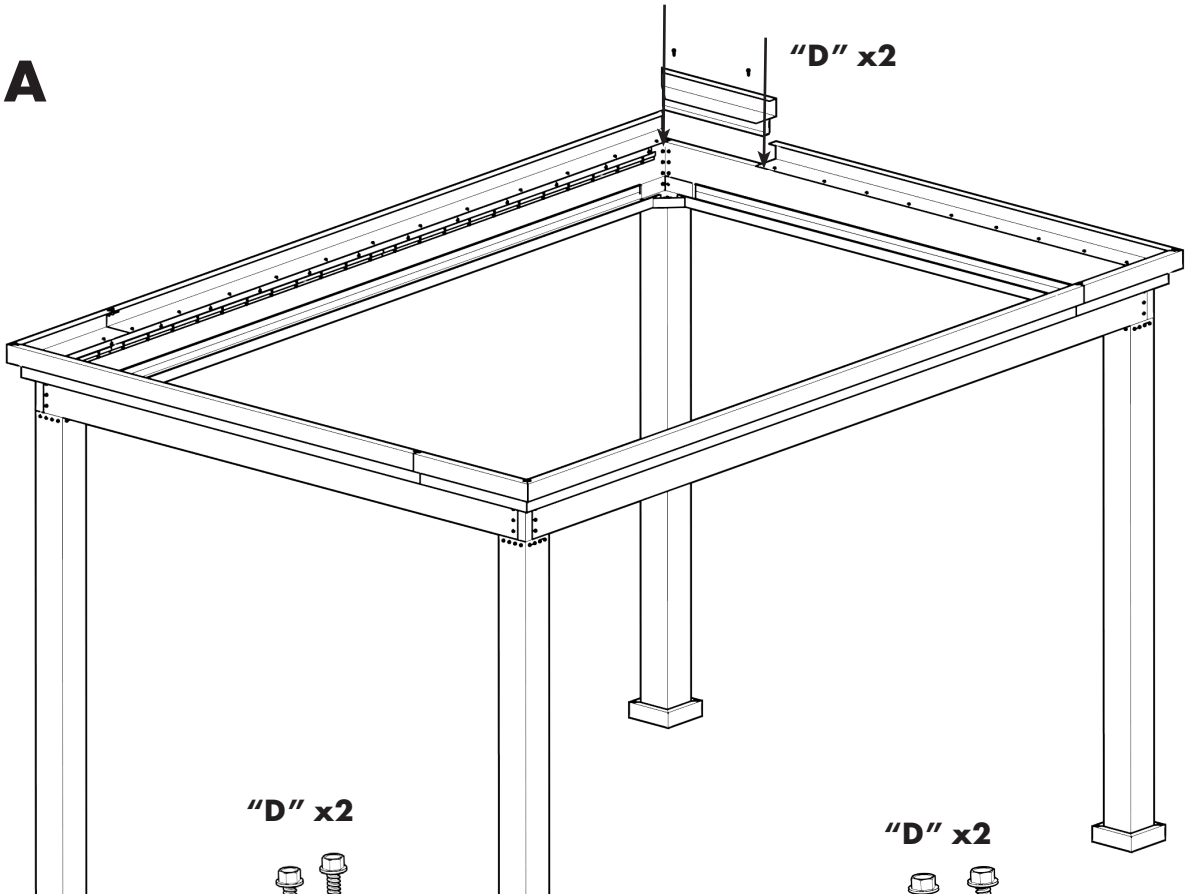




A



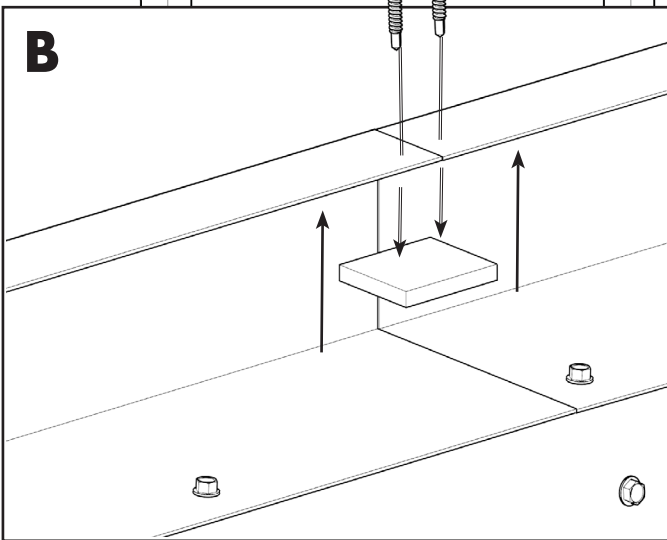
A



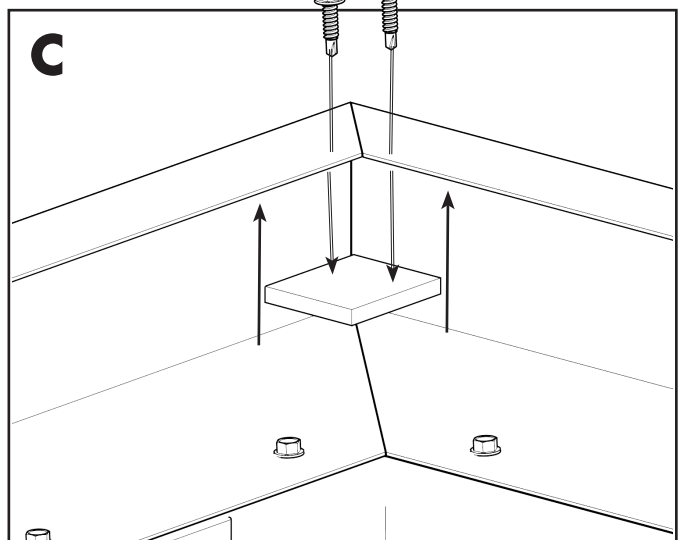
"D" x2

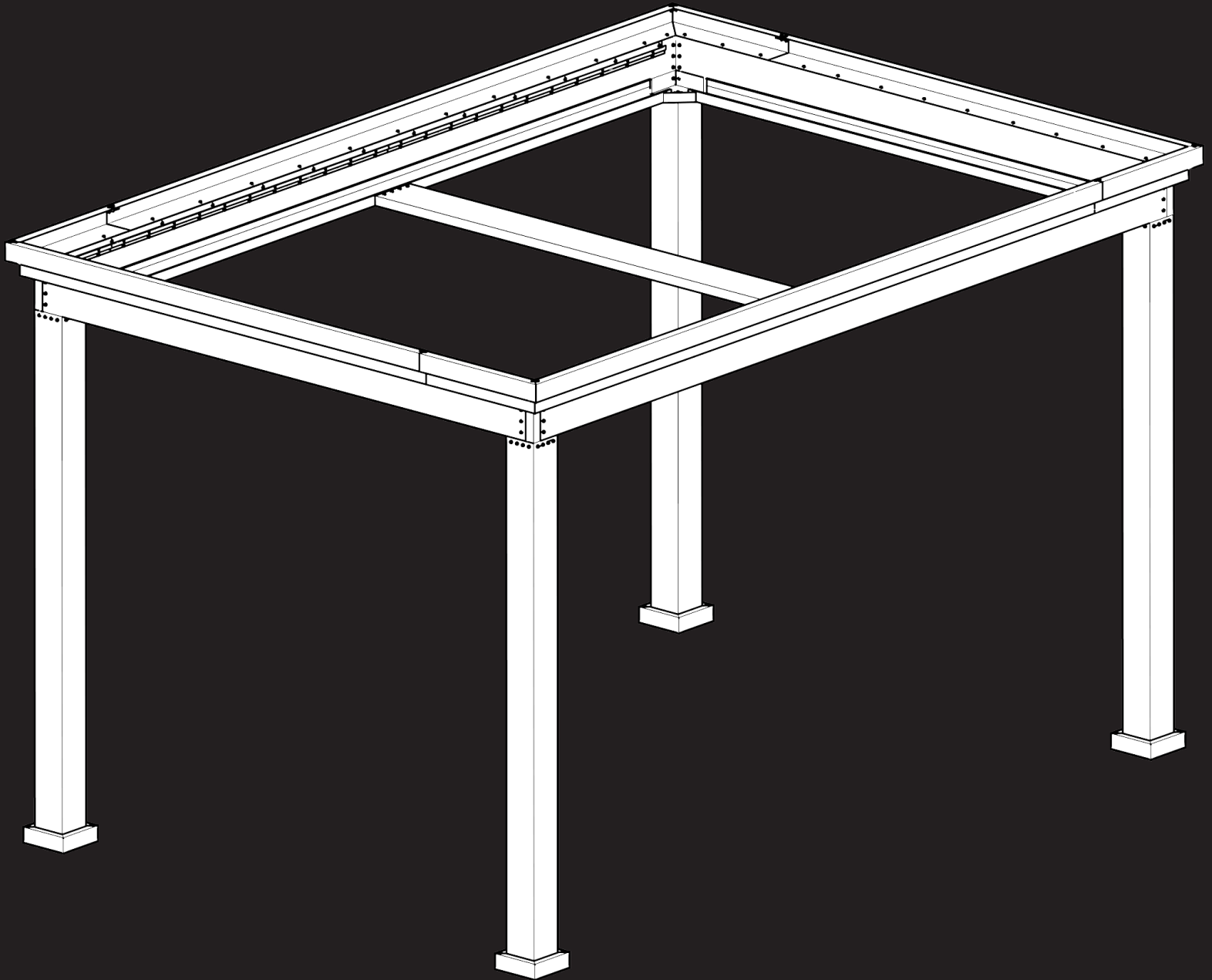
"D" x2

B



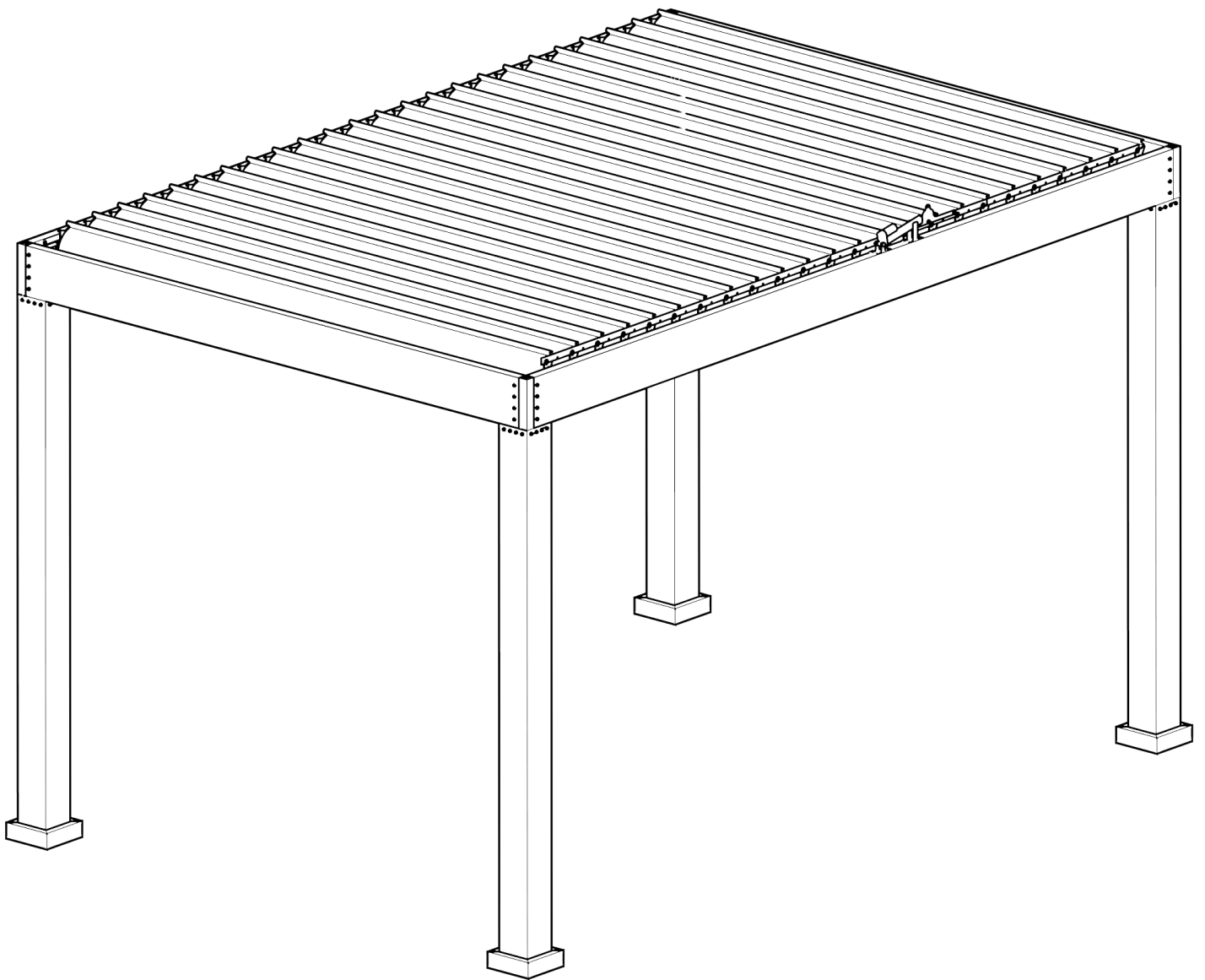
C



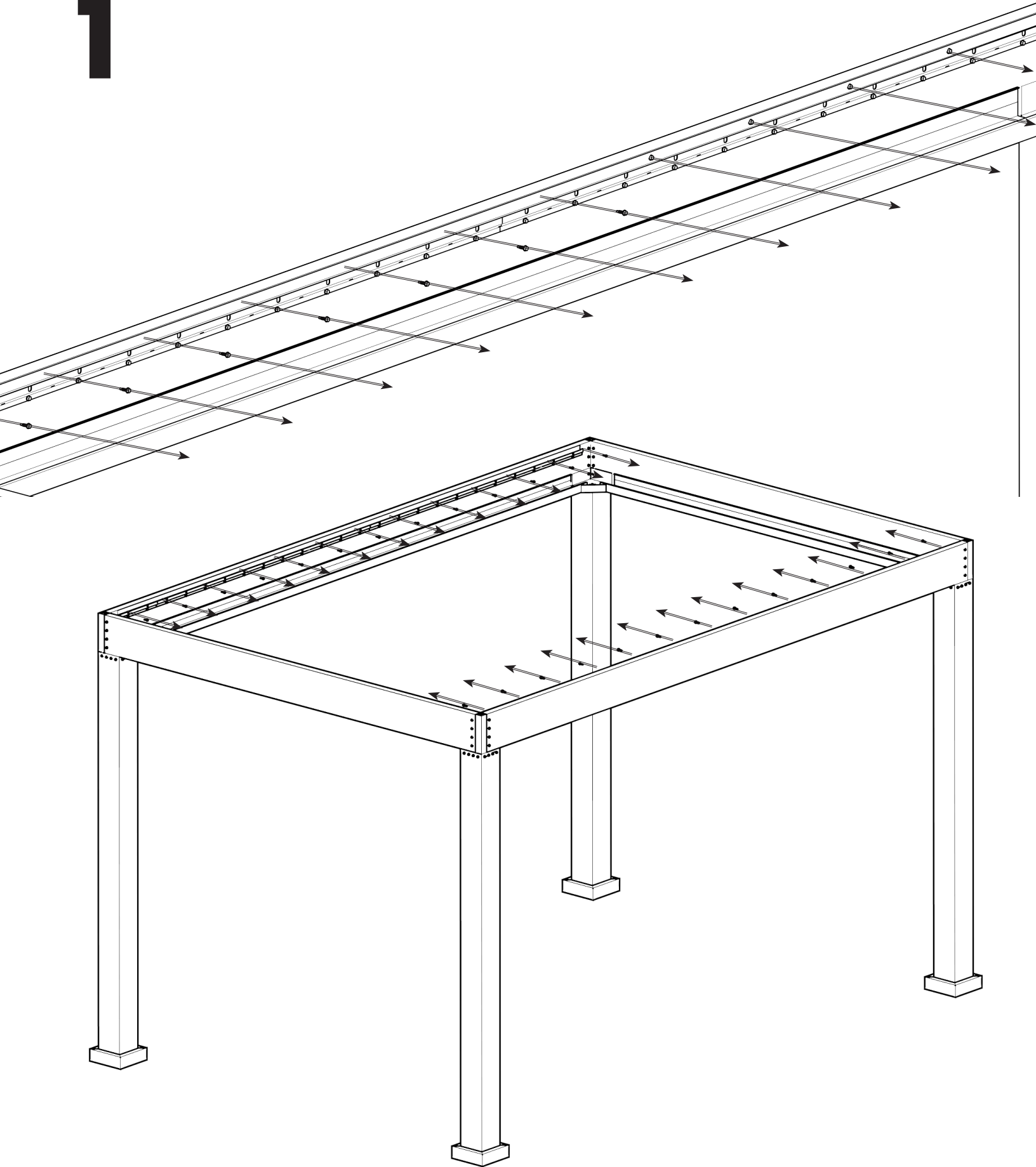


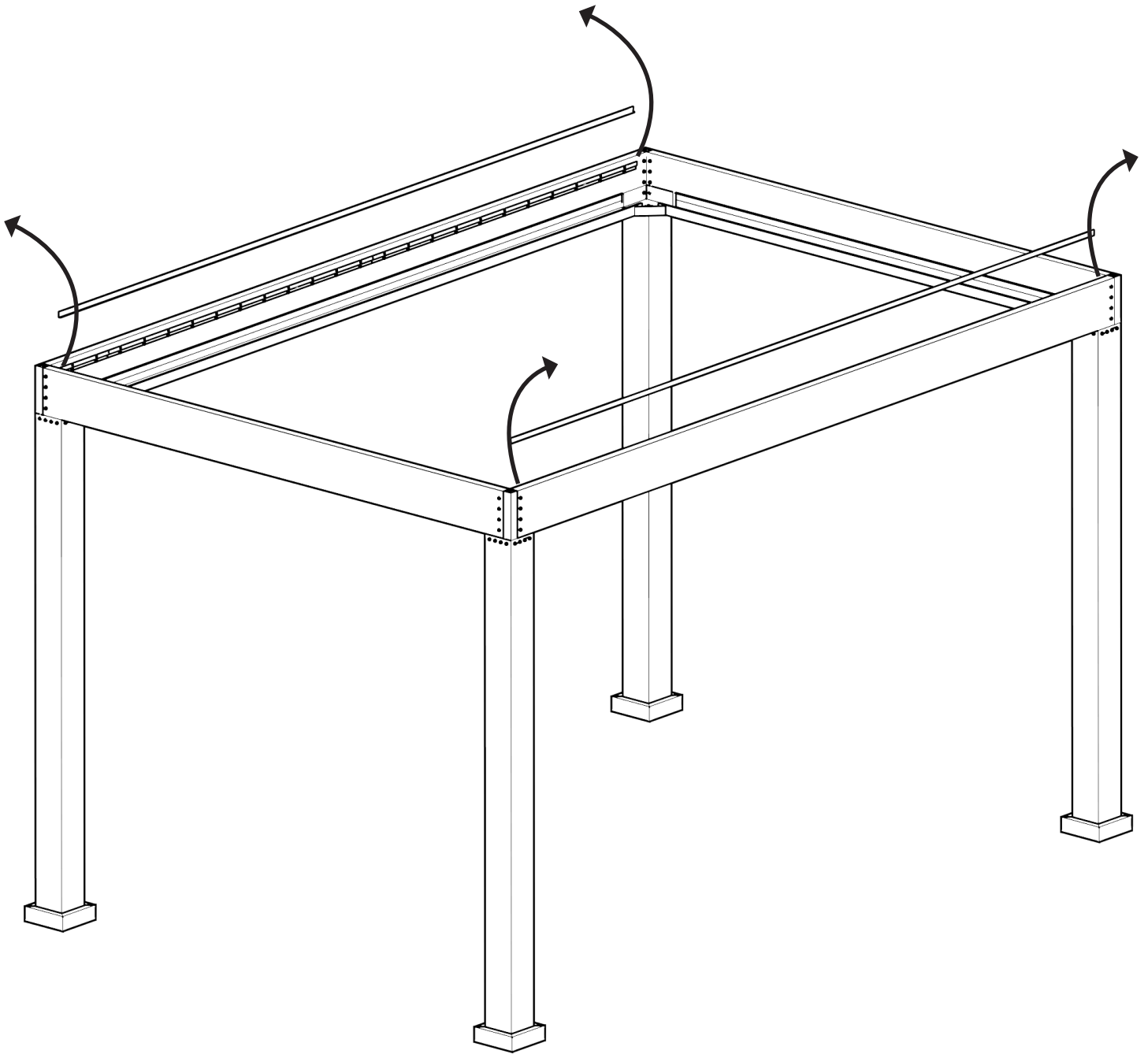
PART 3

INSTALLING THE LOUVERS



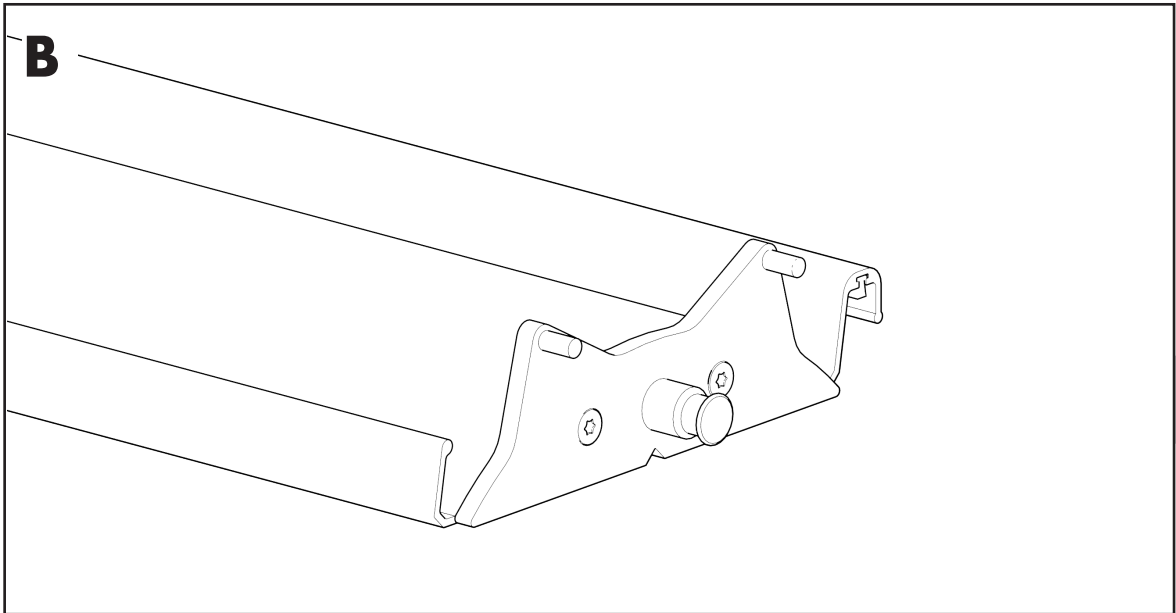
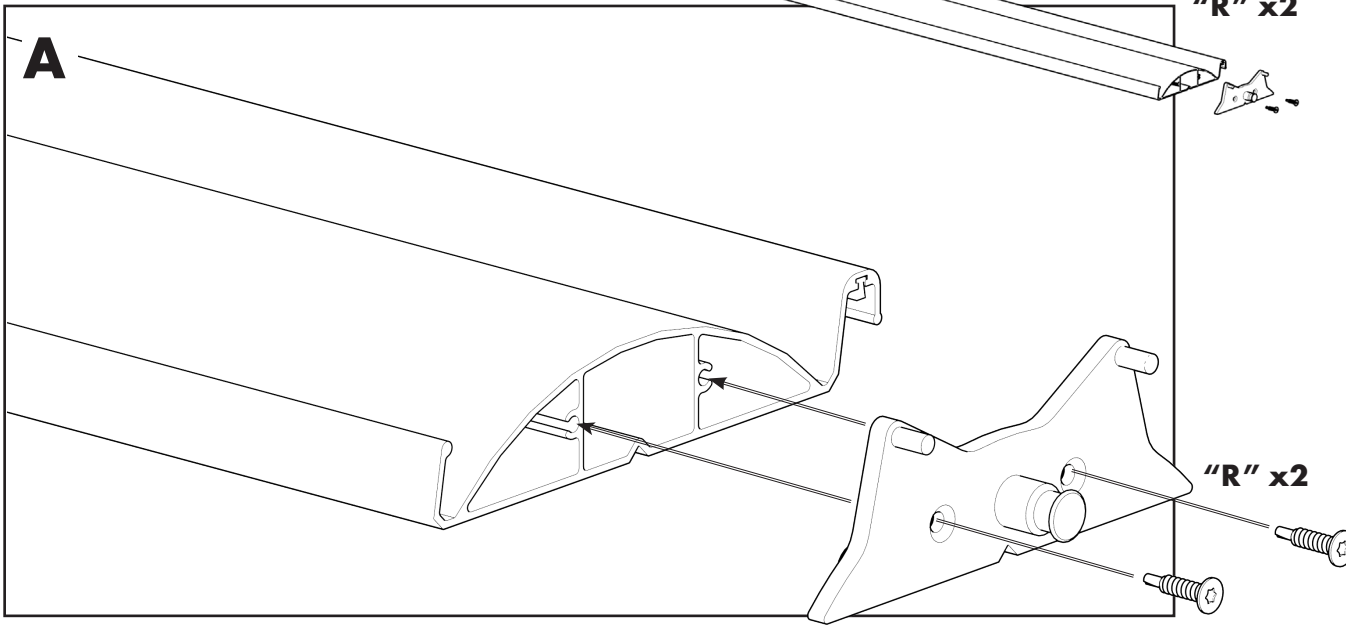
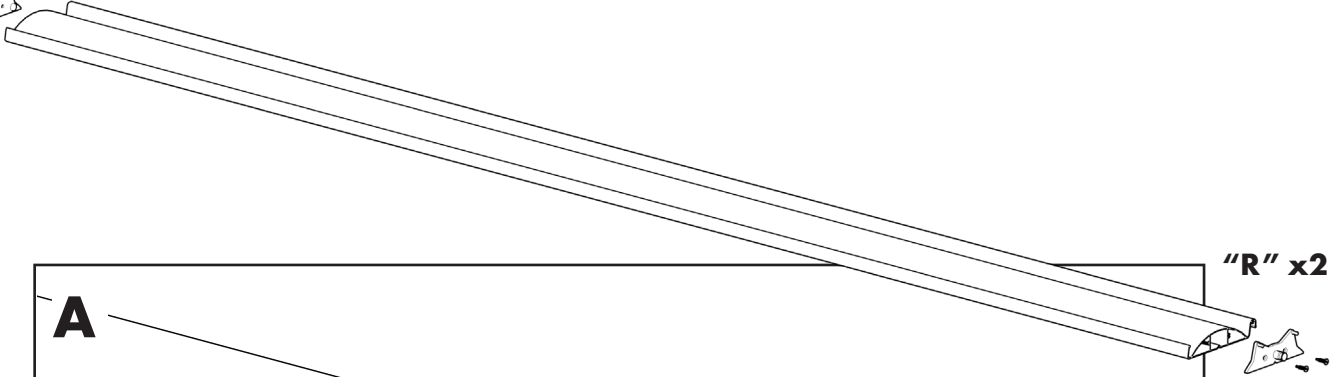
1

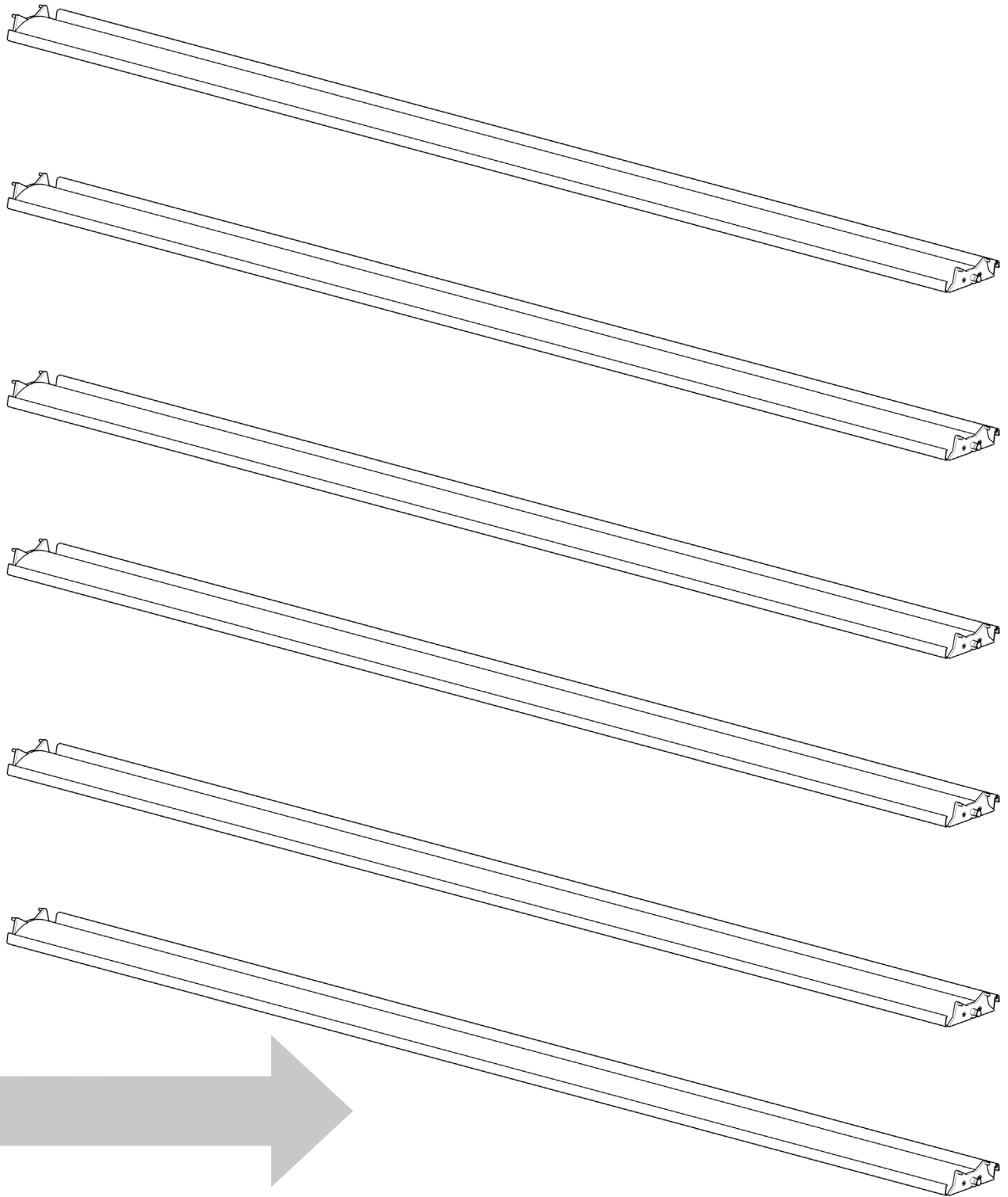




2

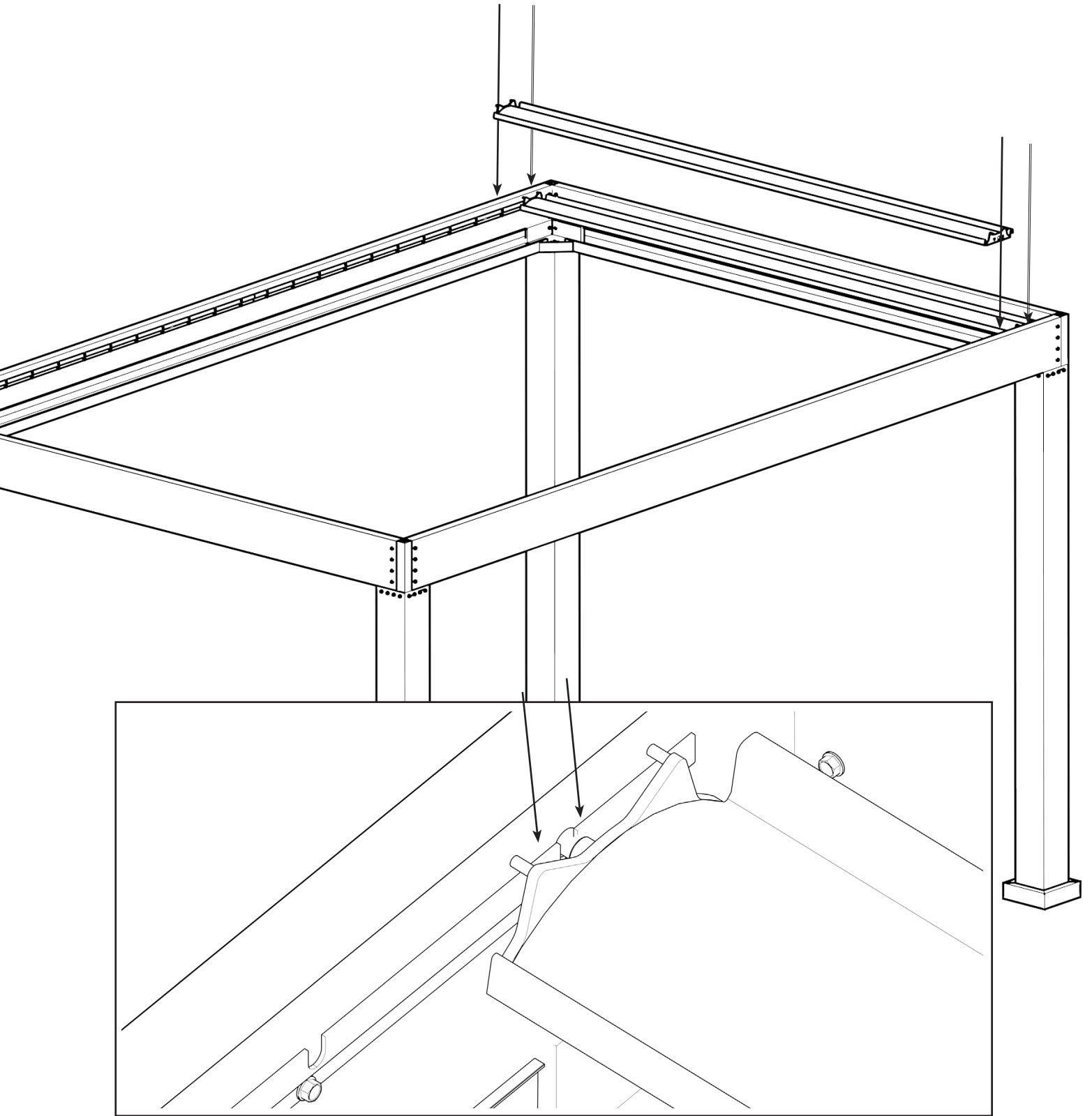
"R" x2

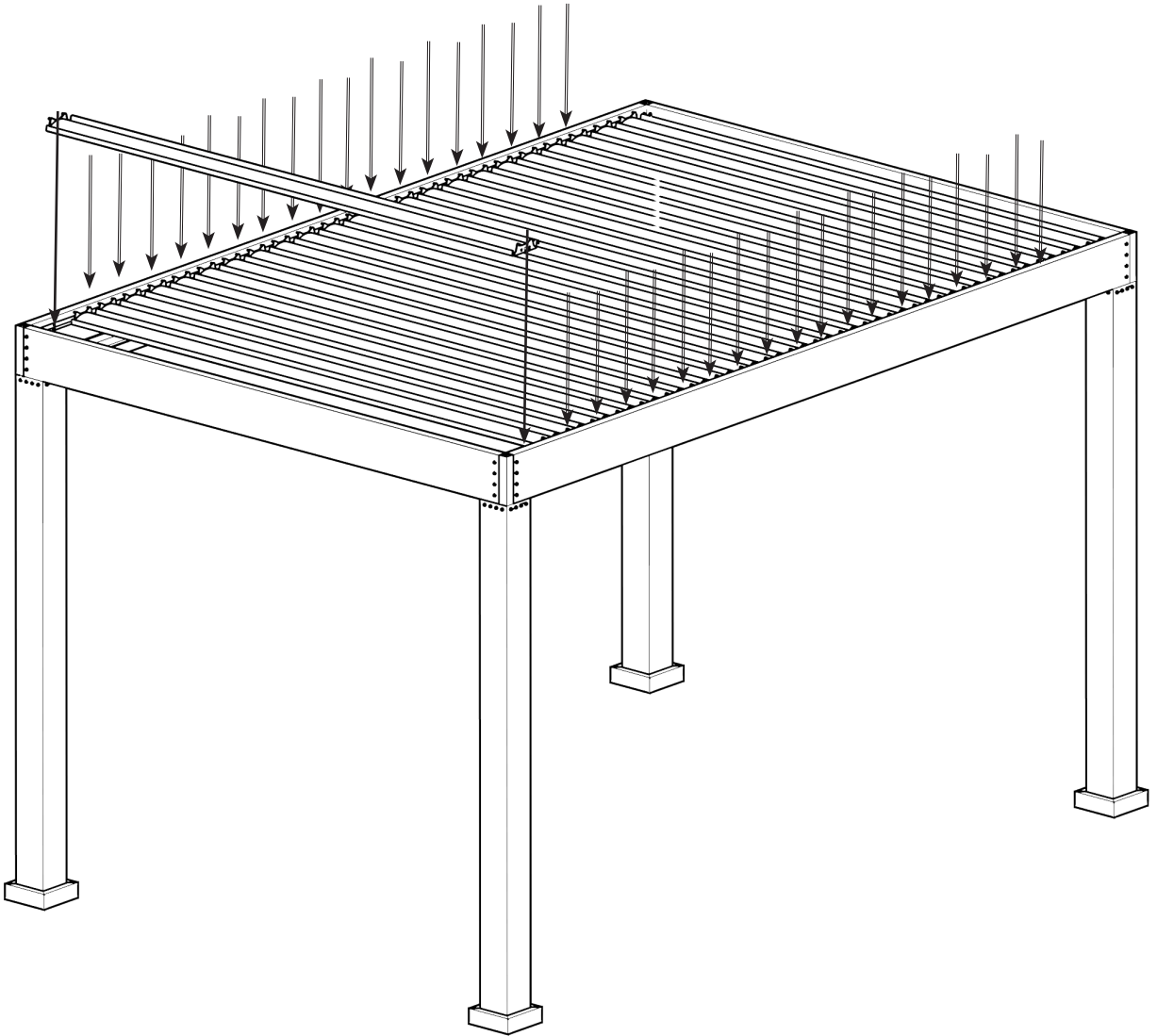




• • •

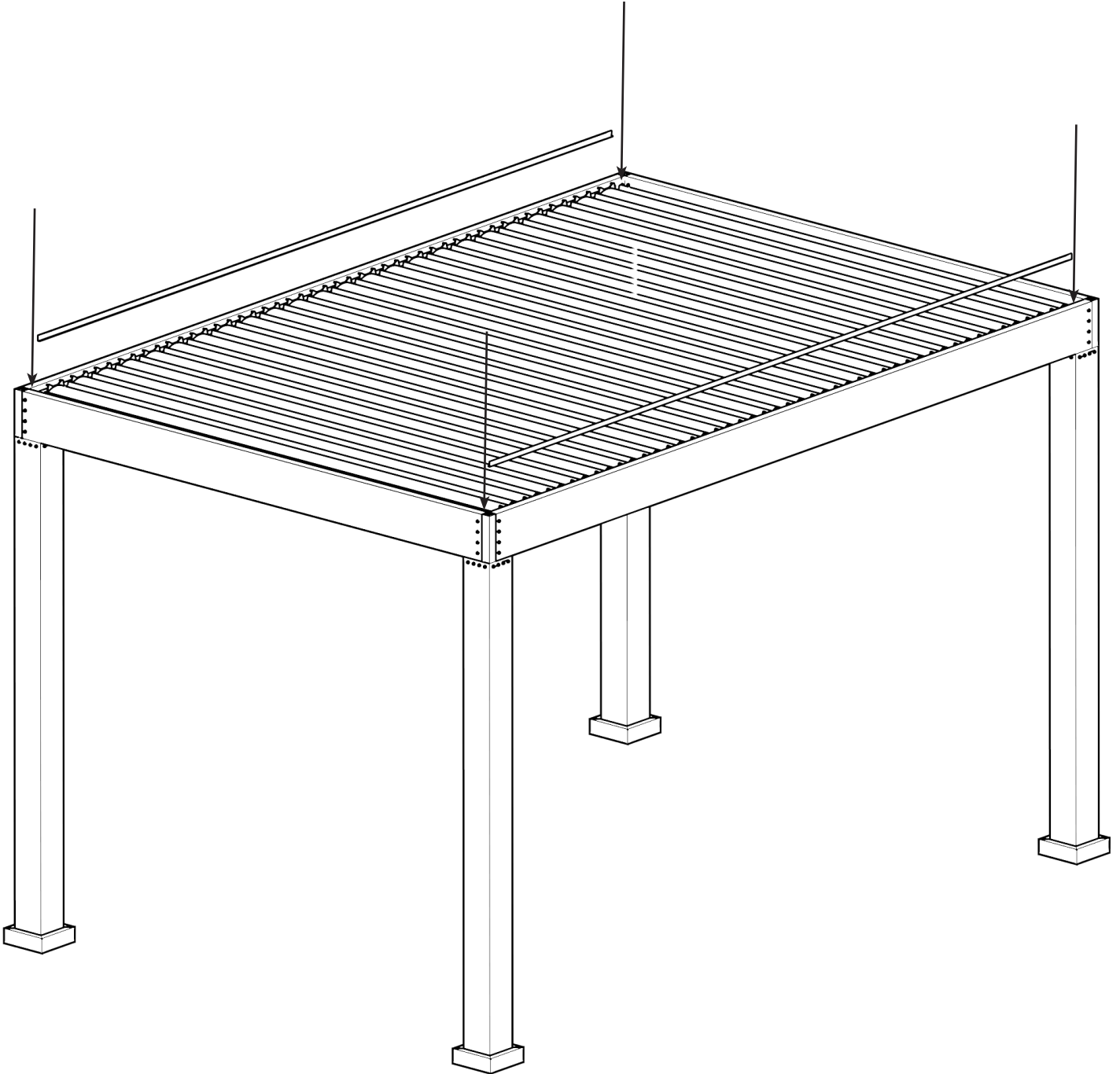
4



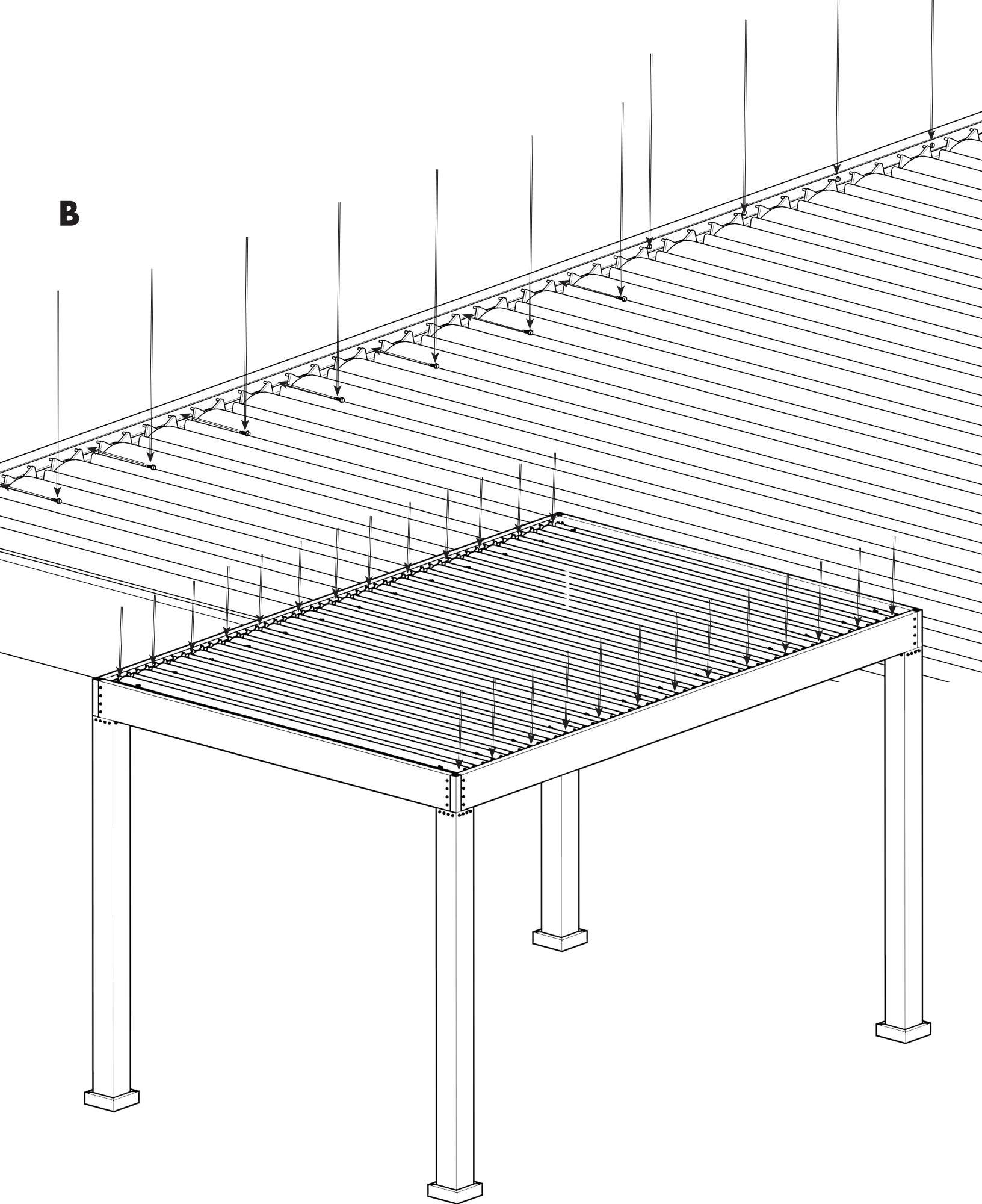


5

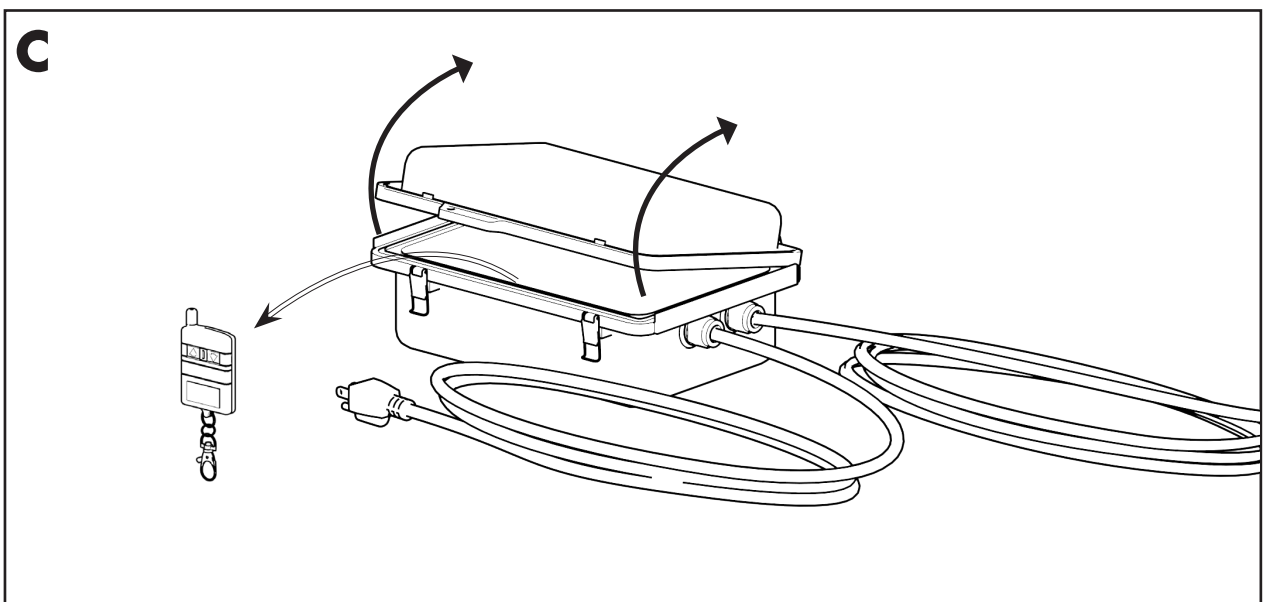
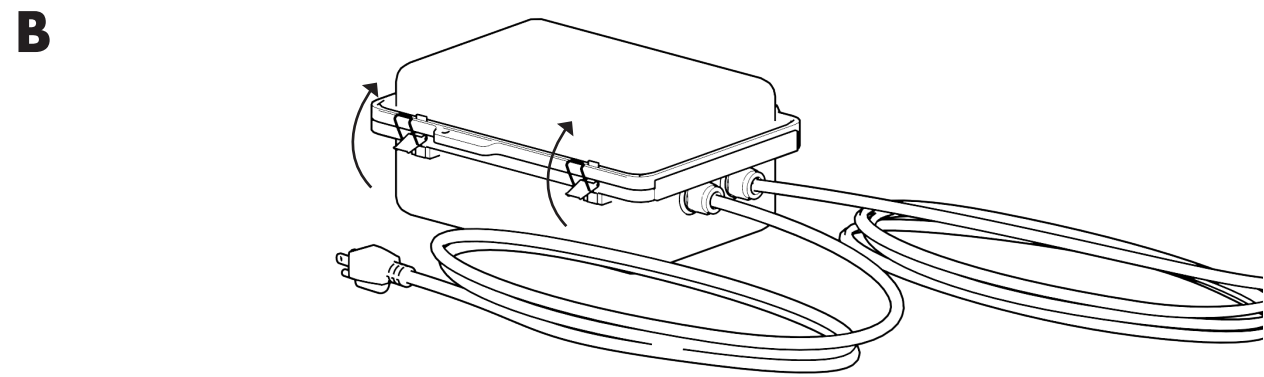
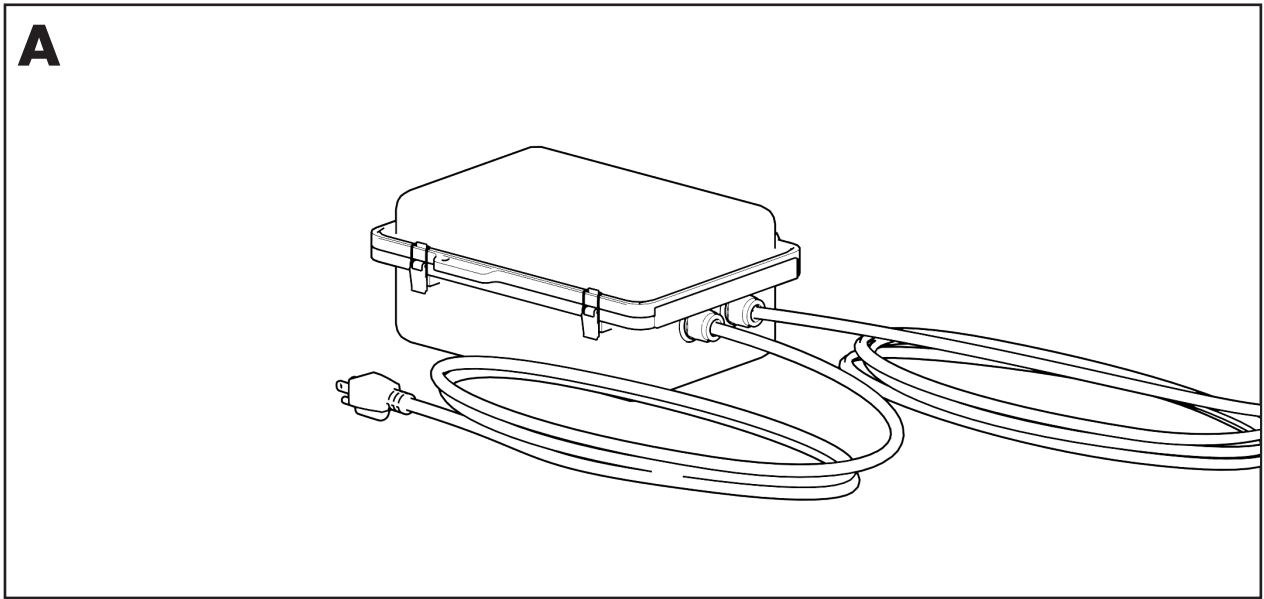
A



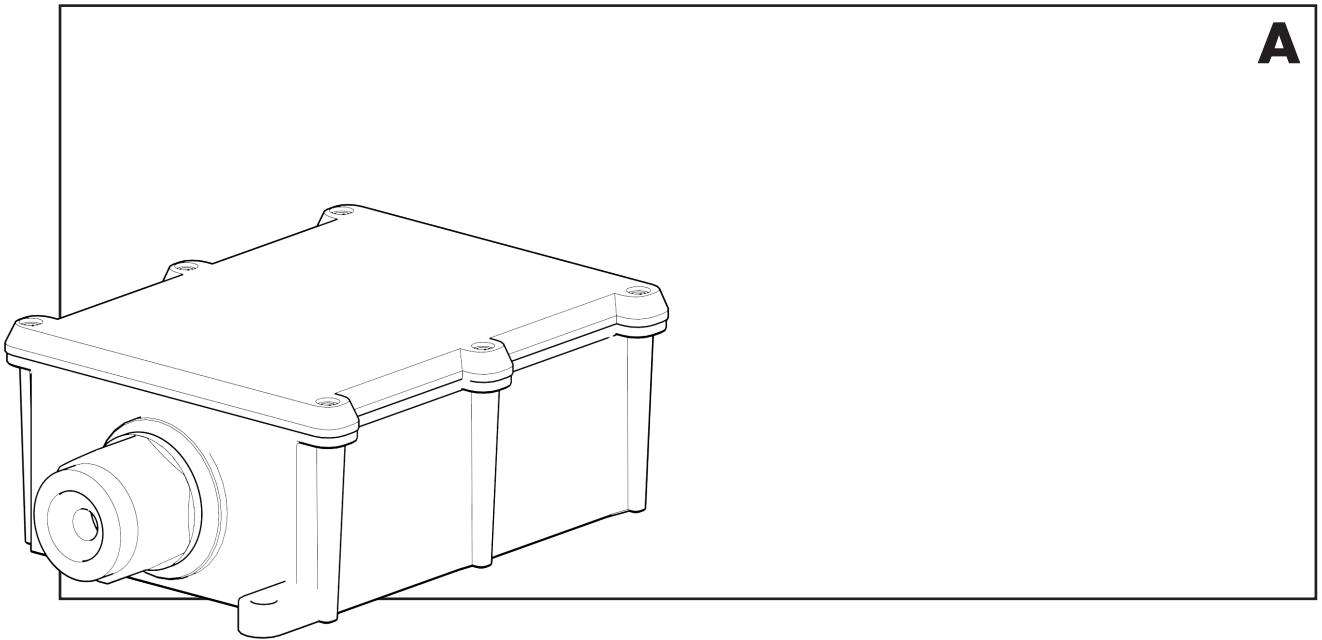
B



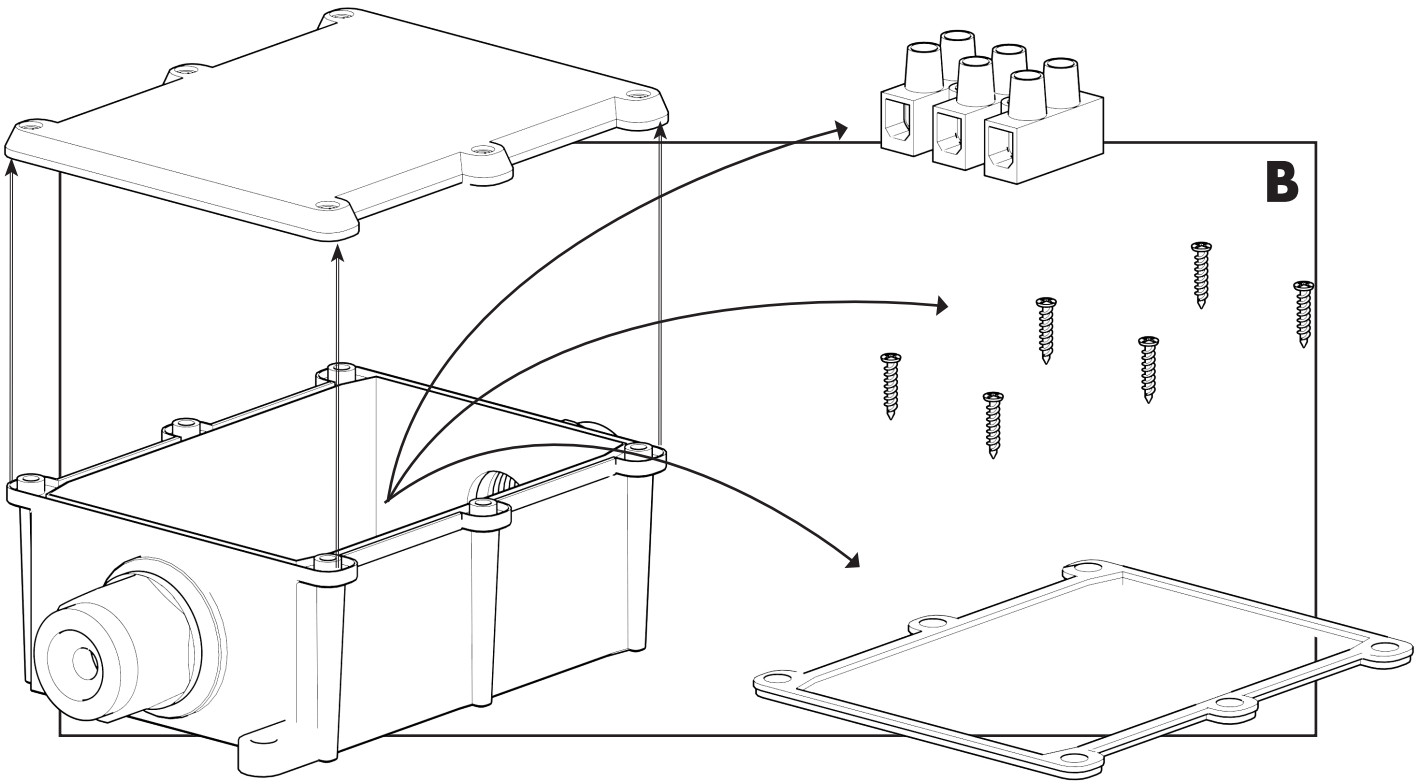
6



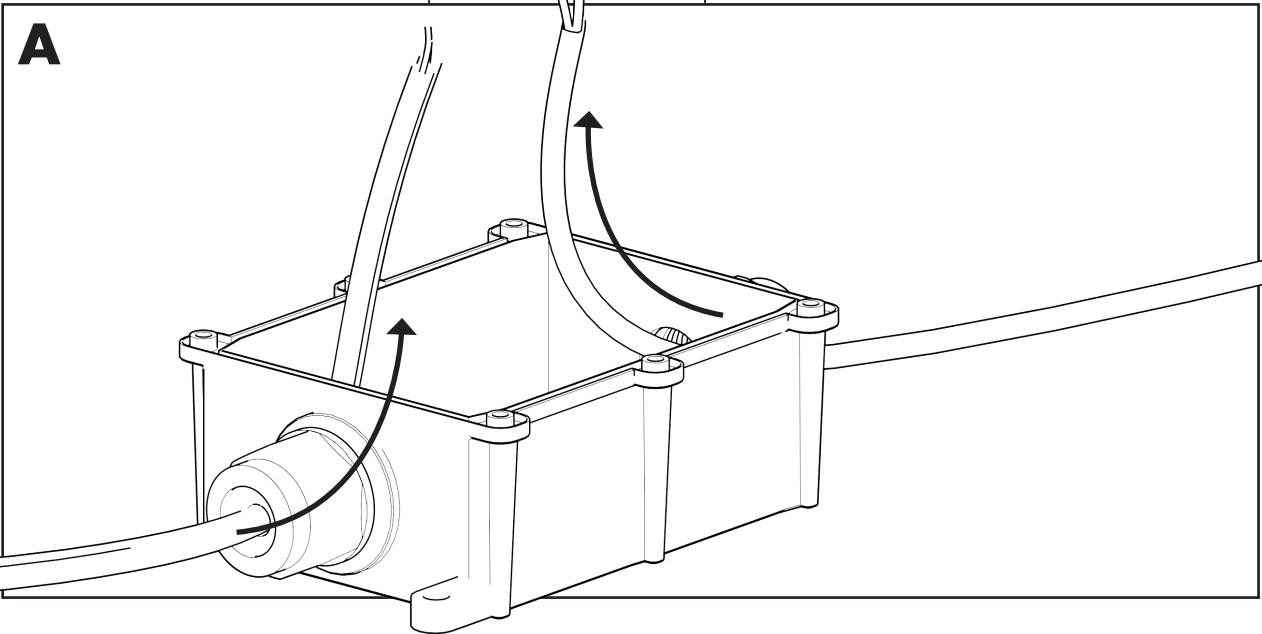
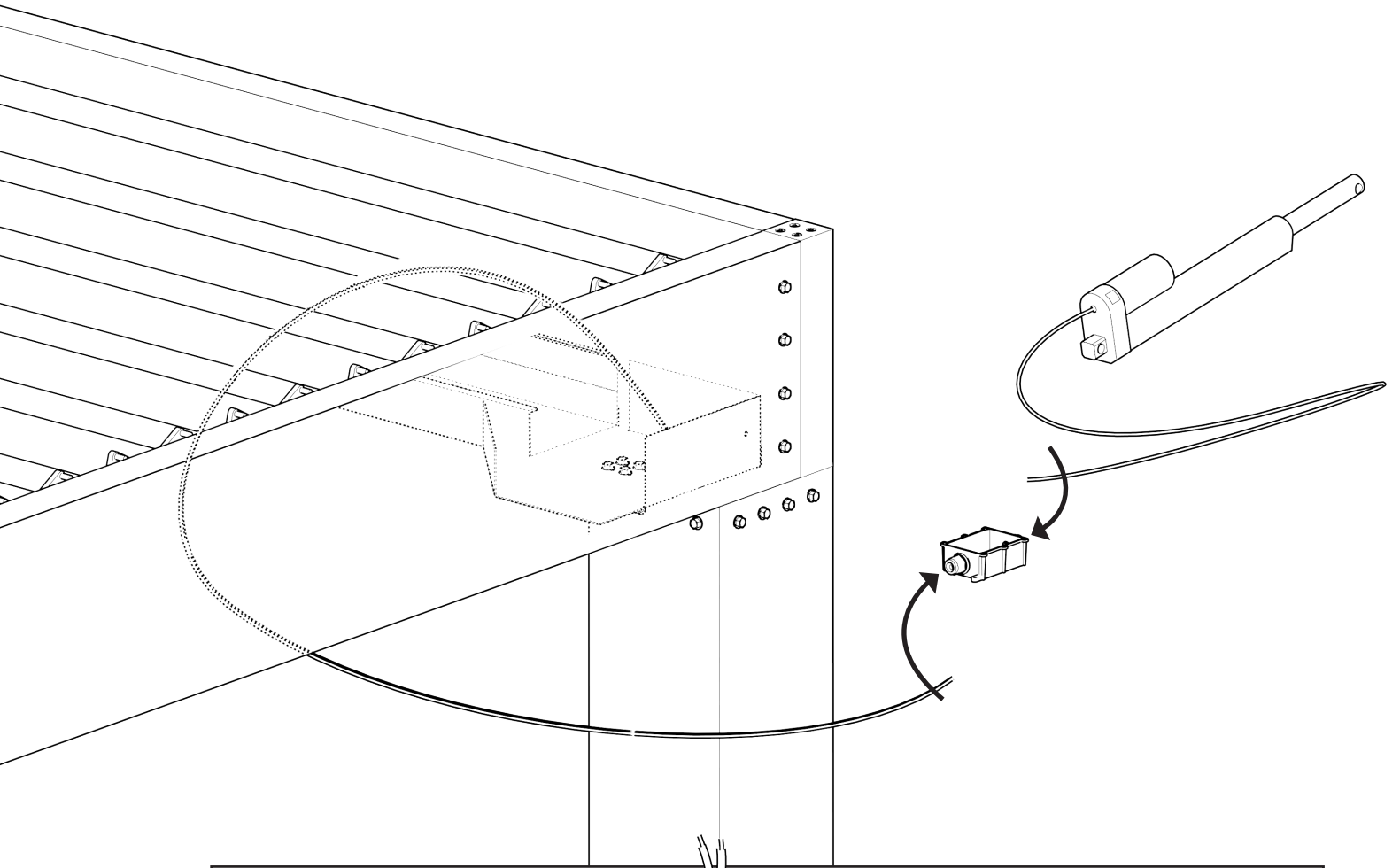
A

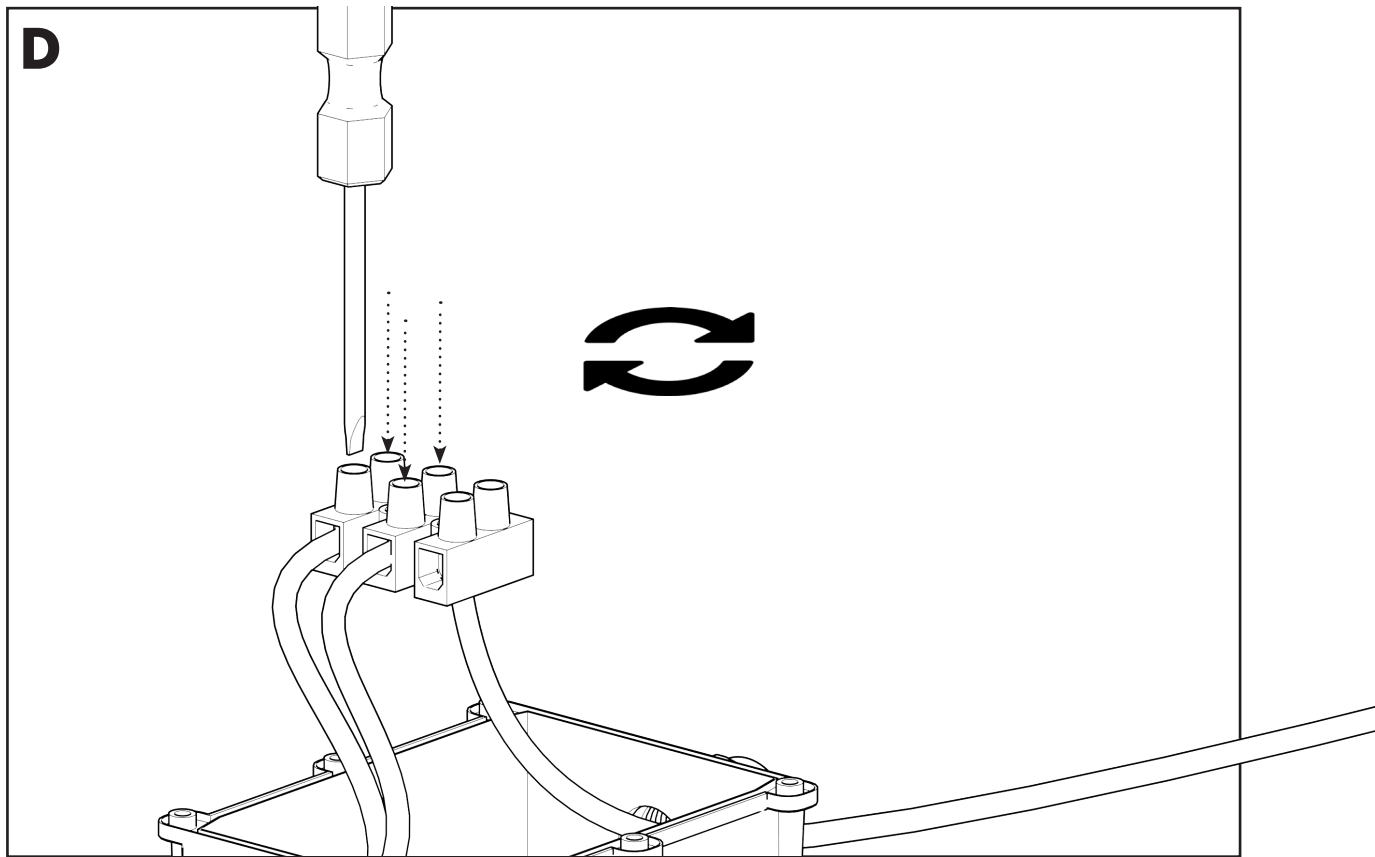
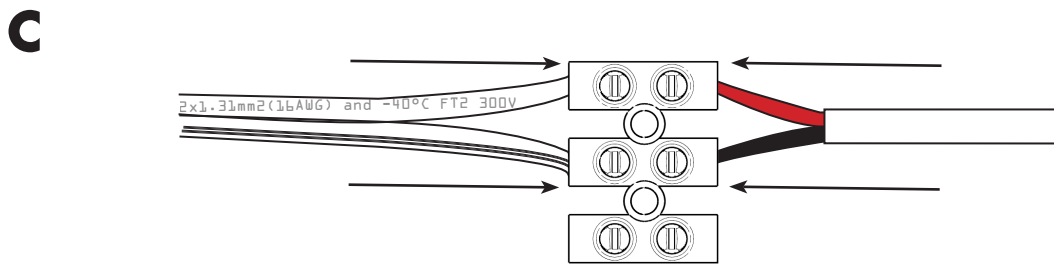
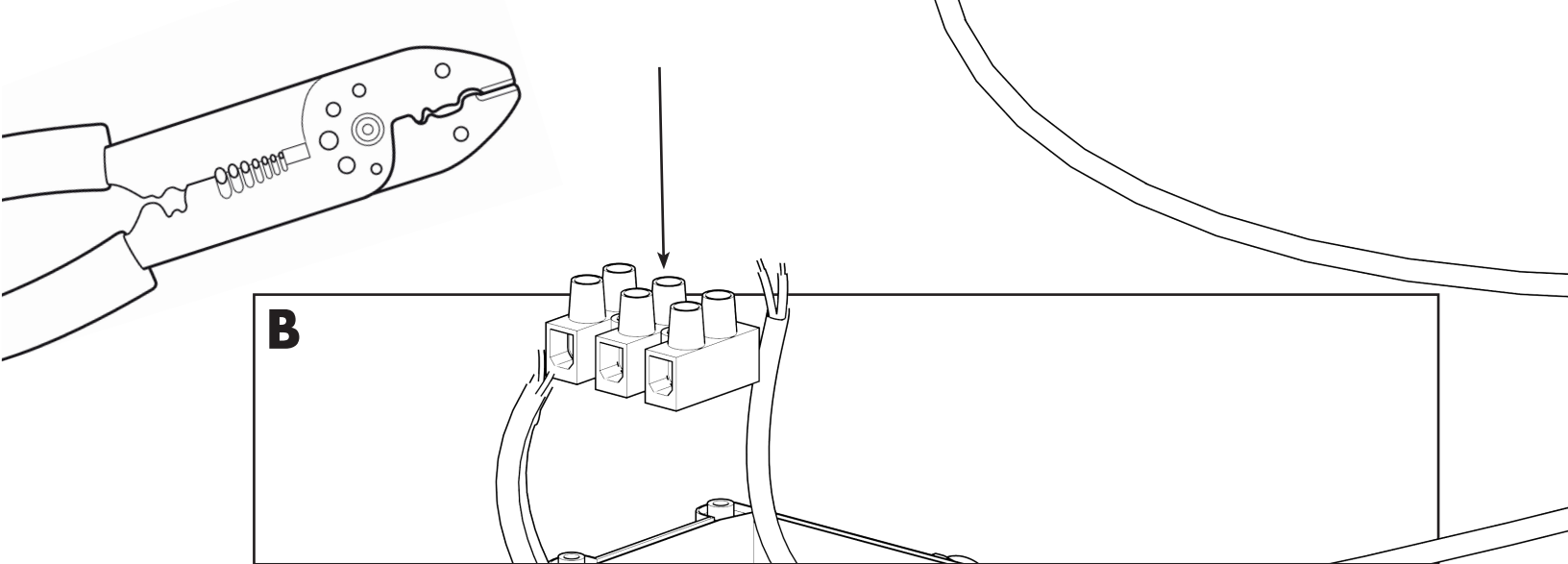


B

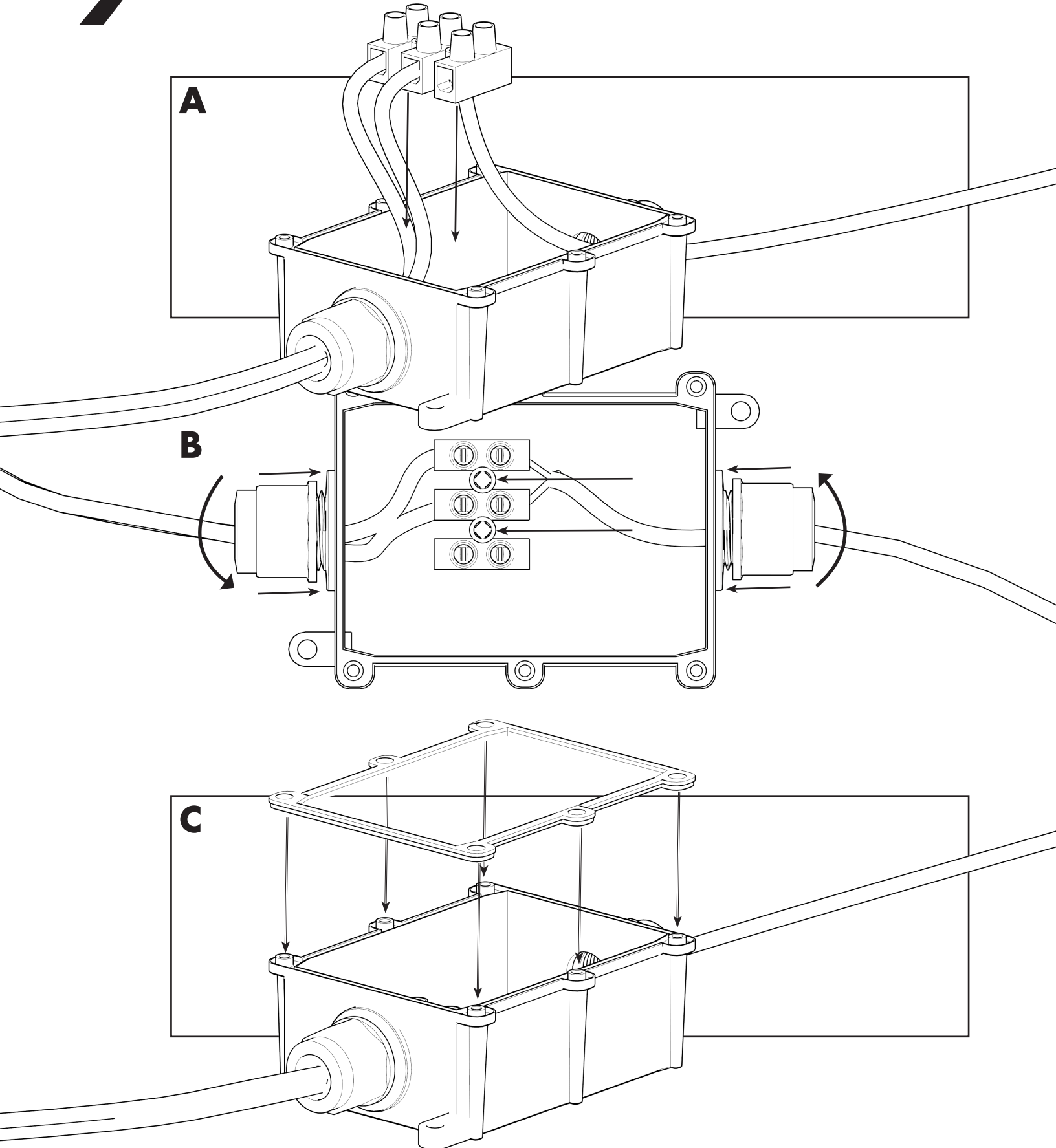


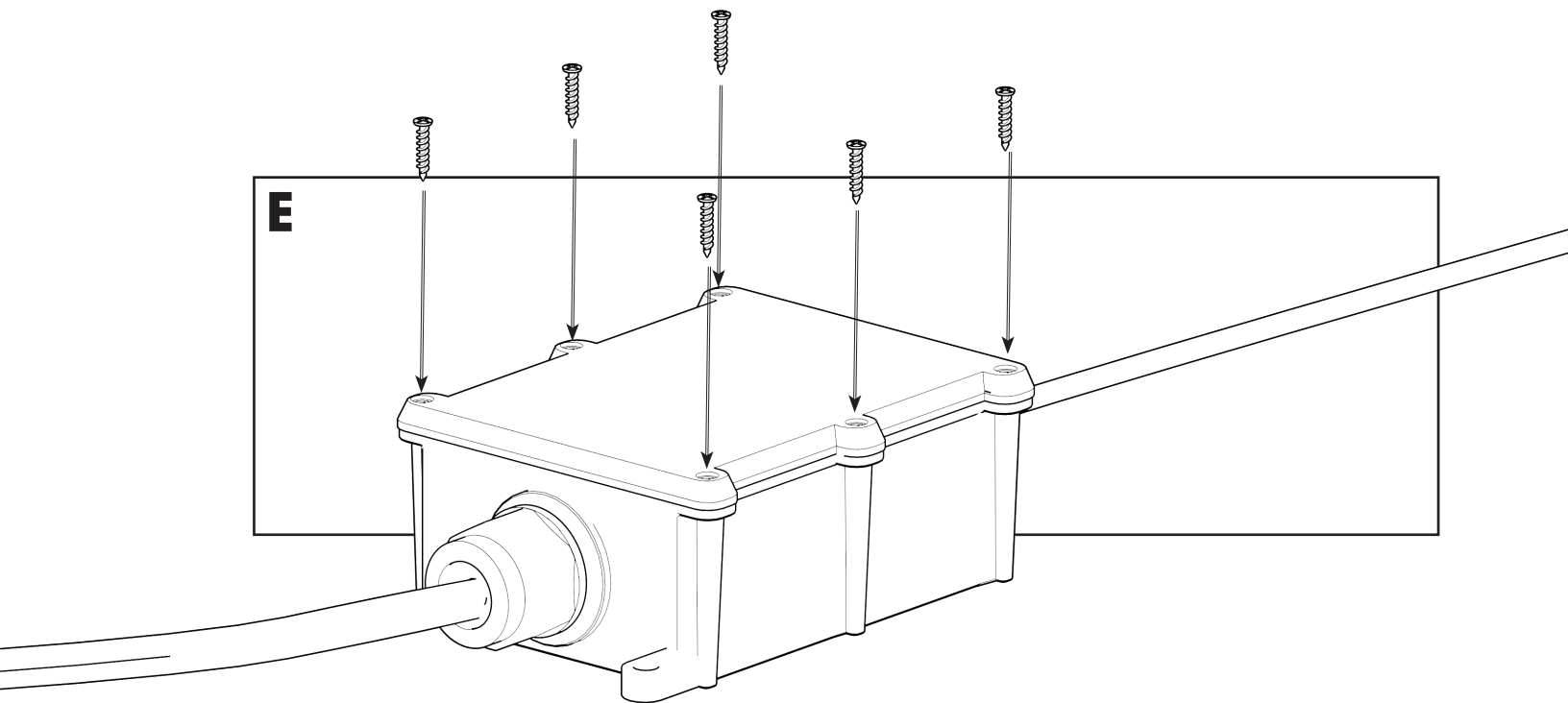
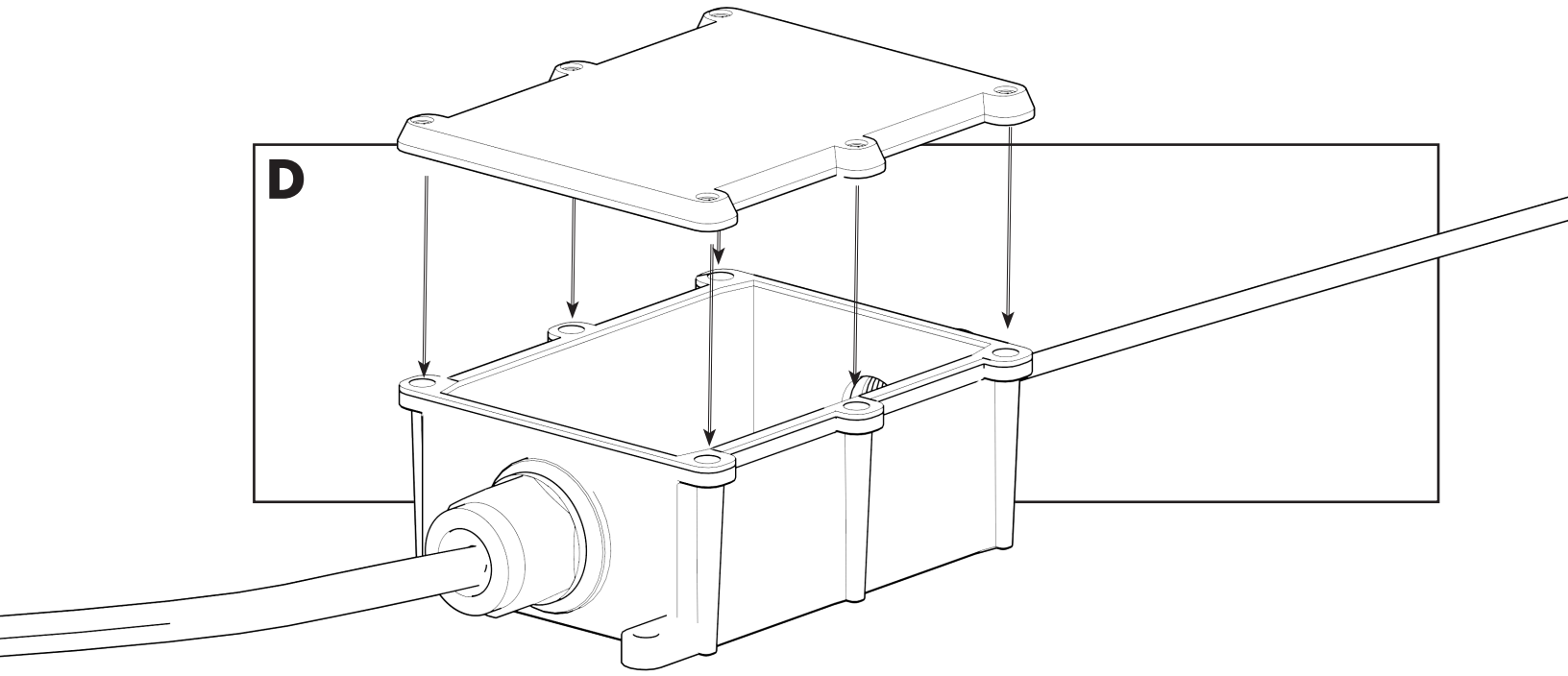
8



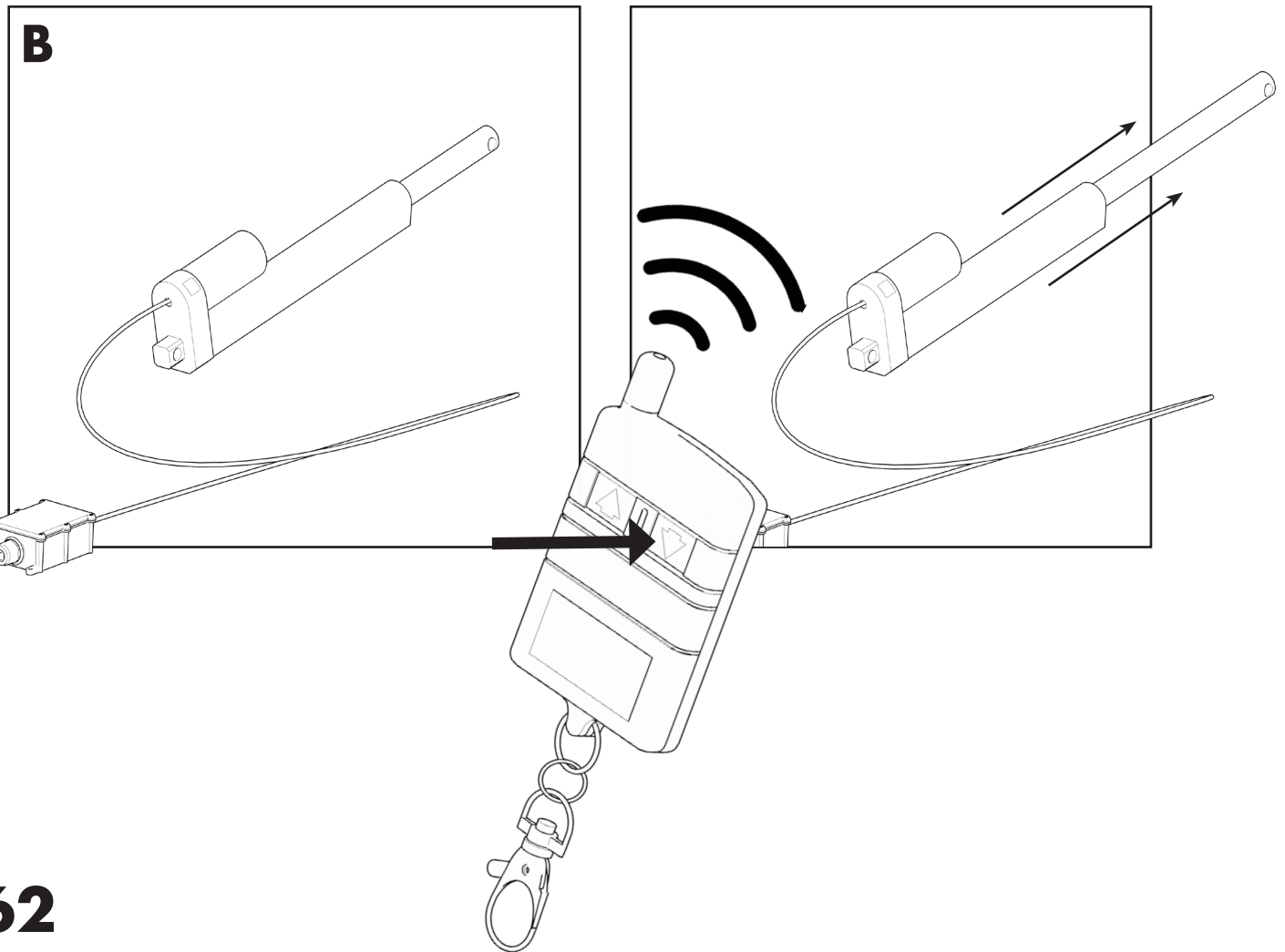
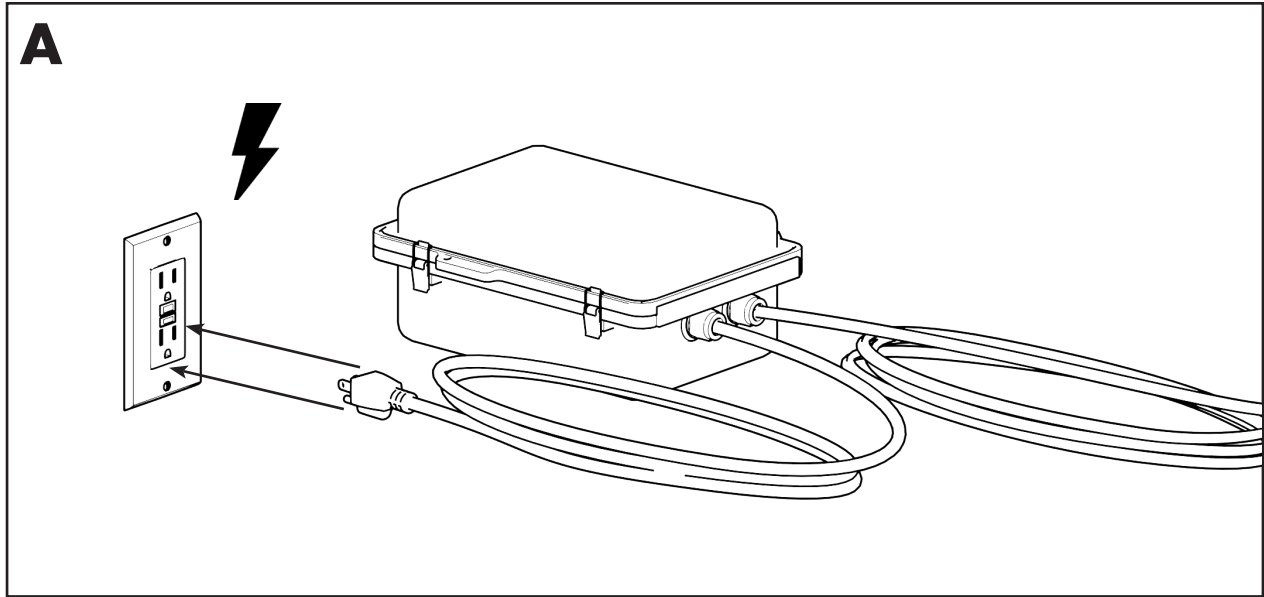


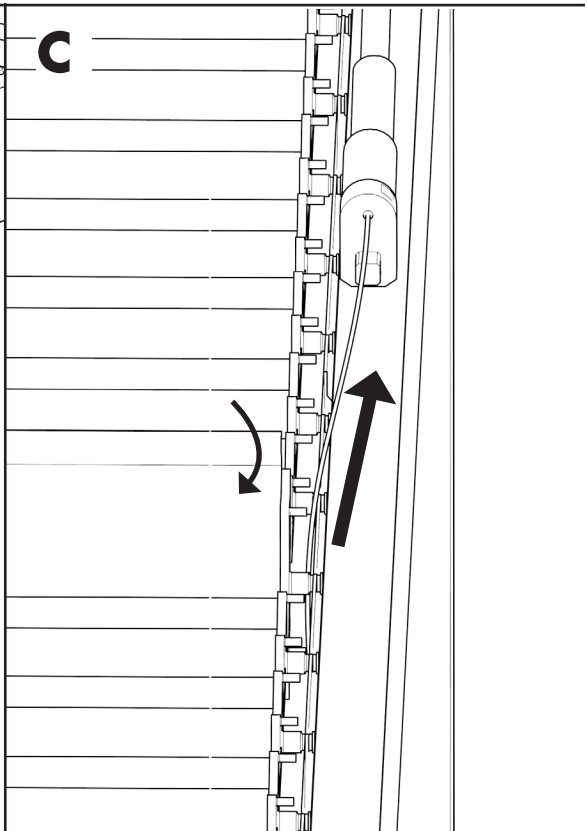
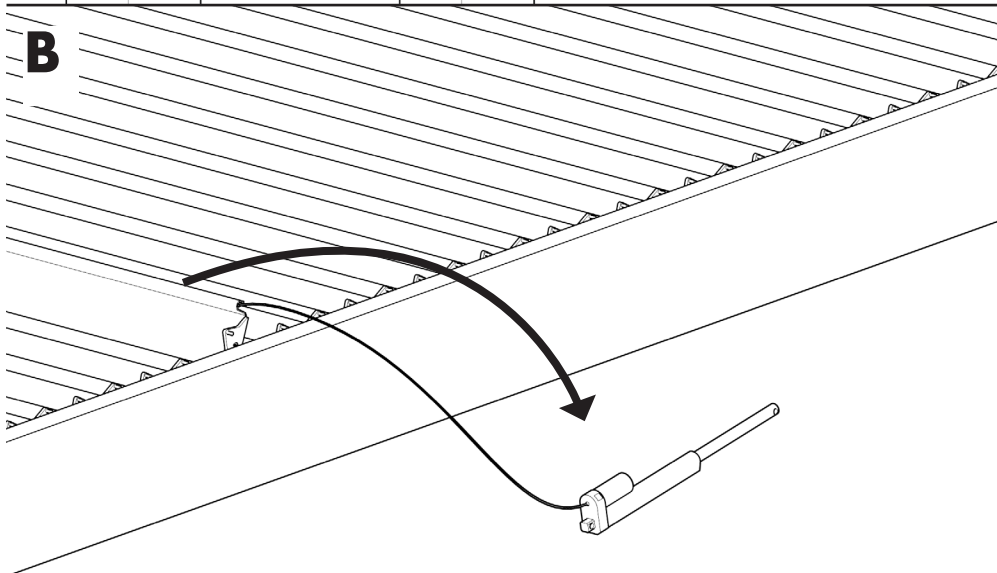
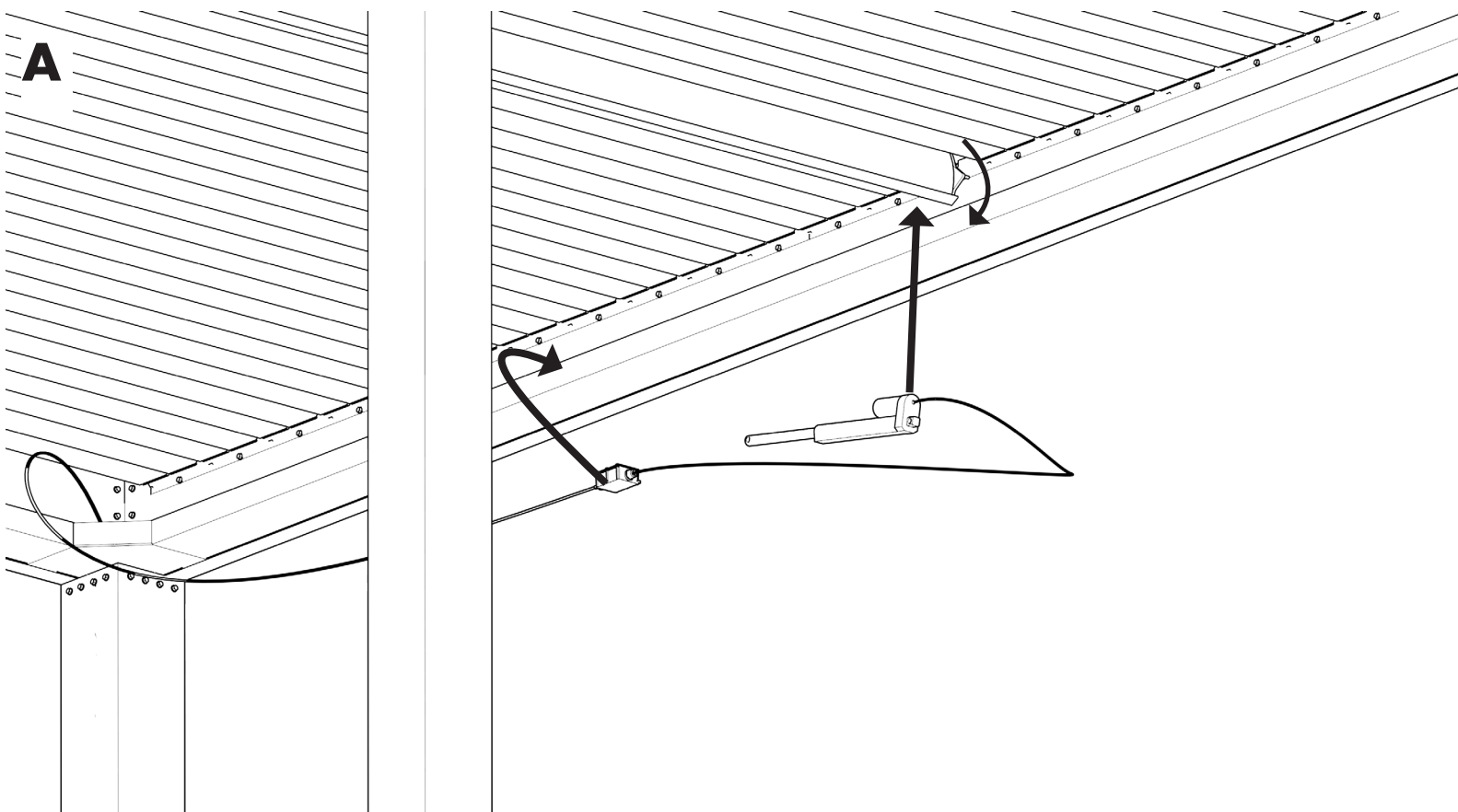
9



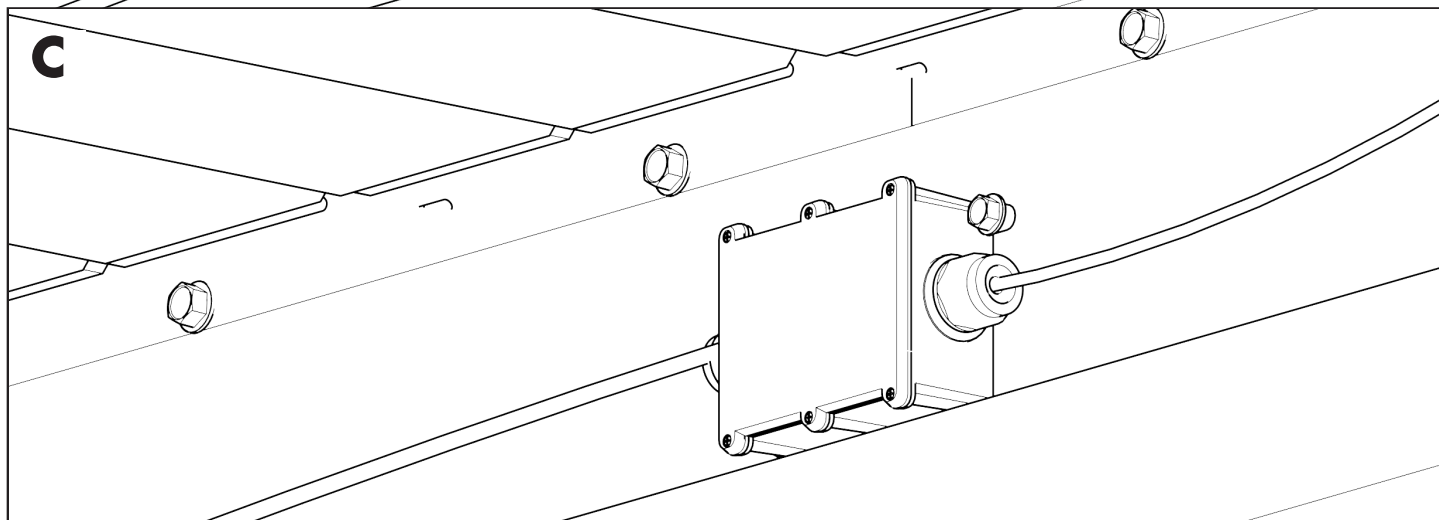
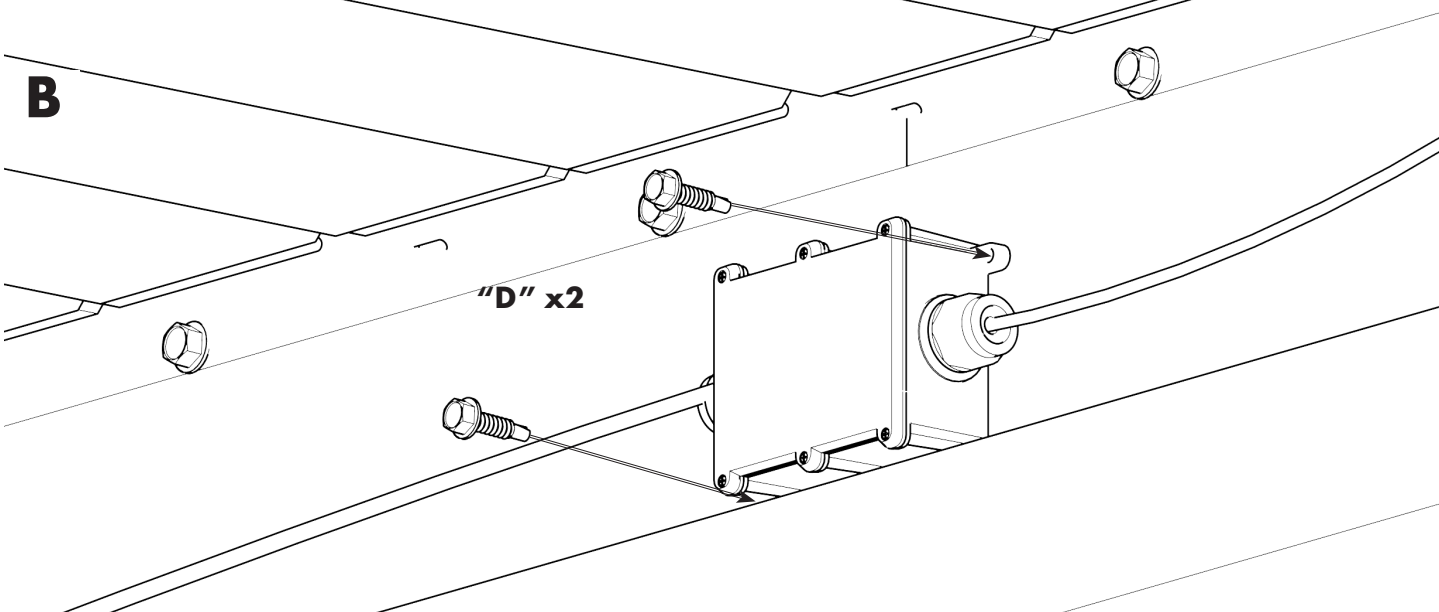
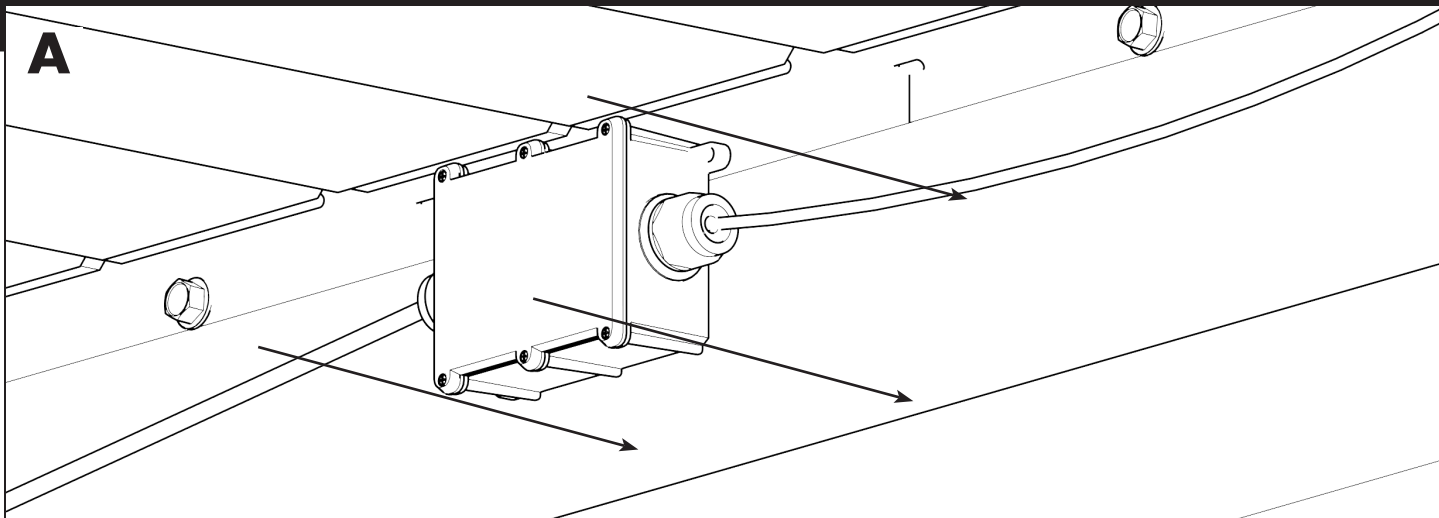


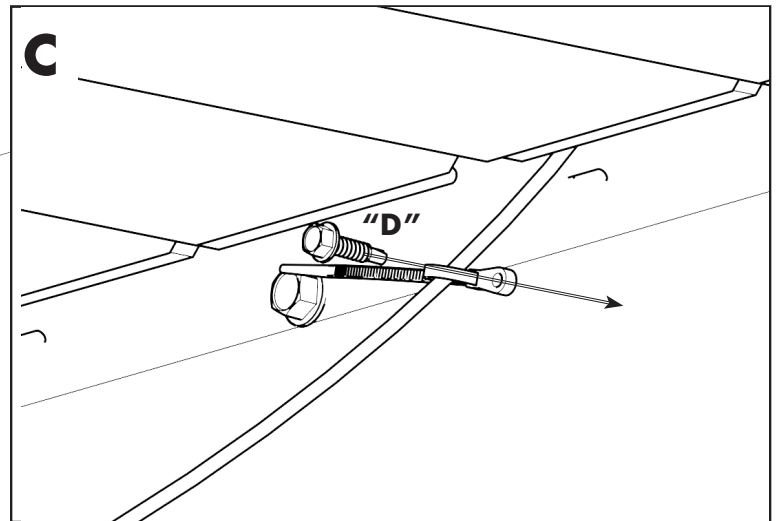
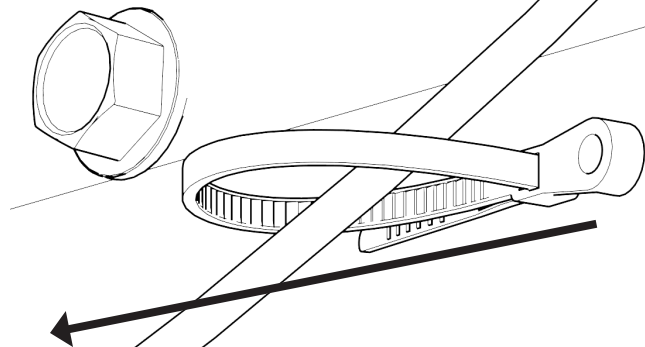
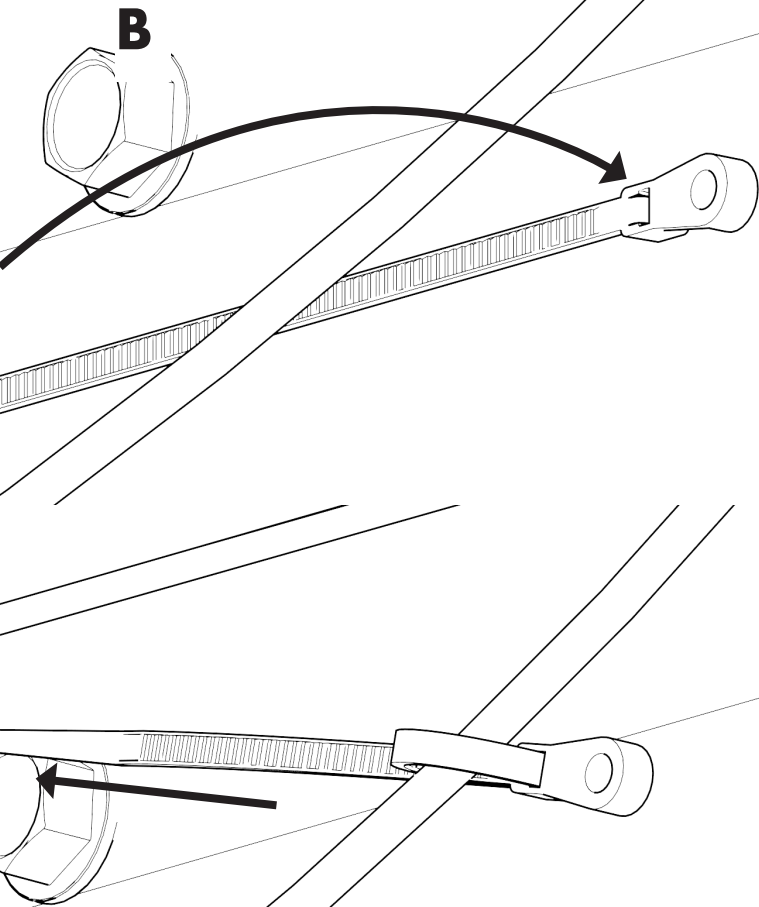
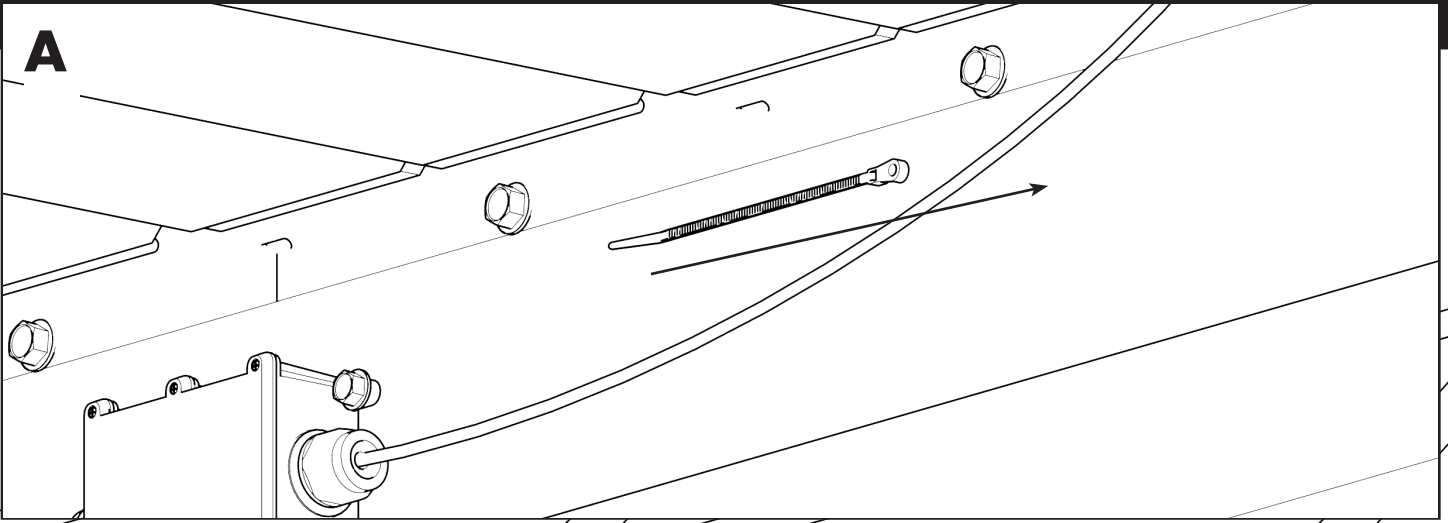
10





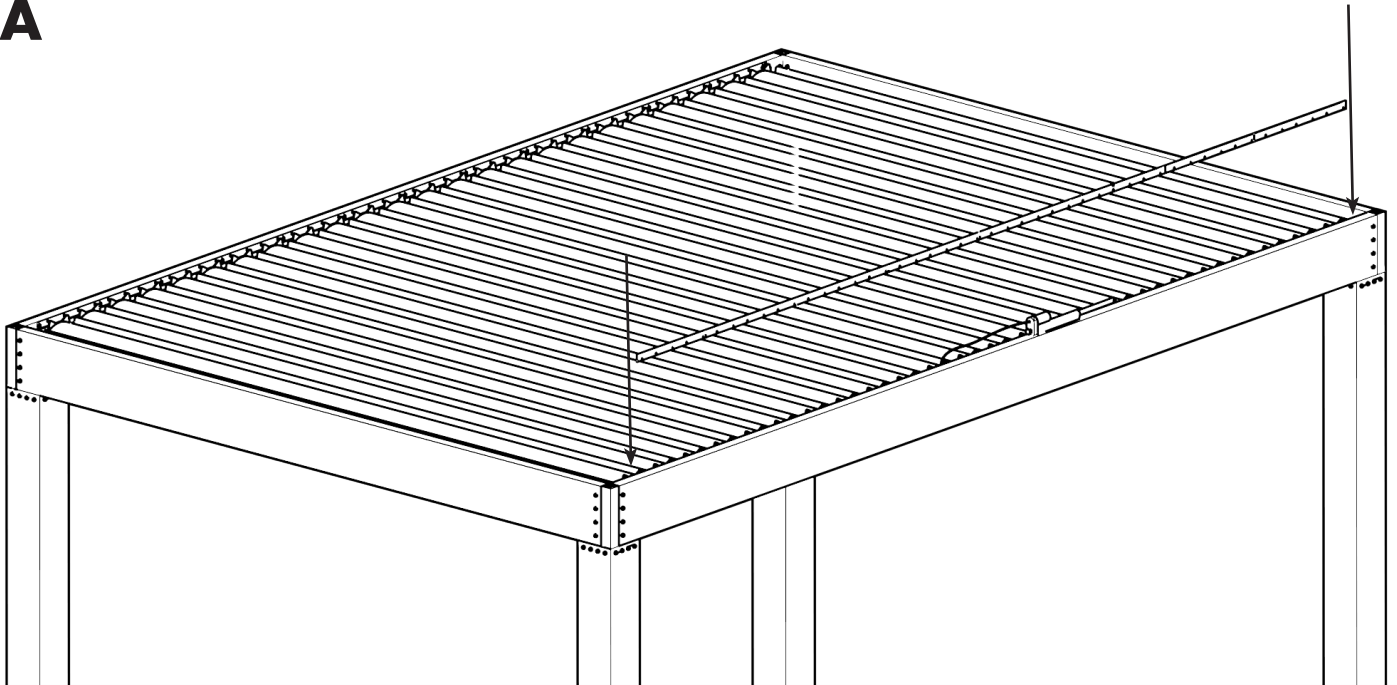
12



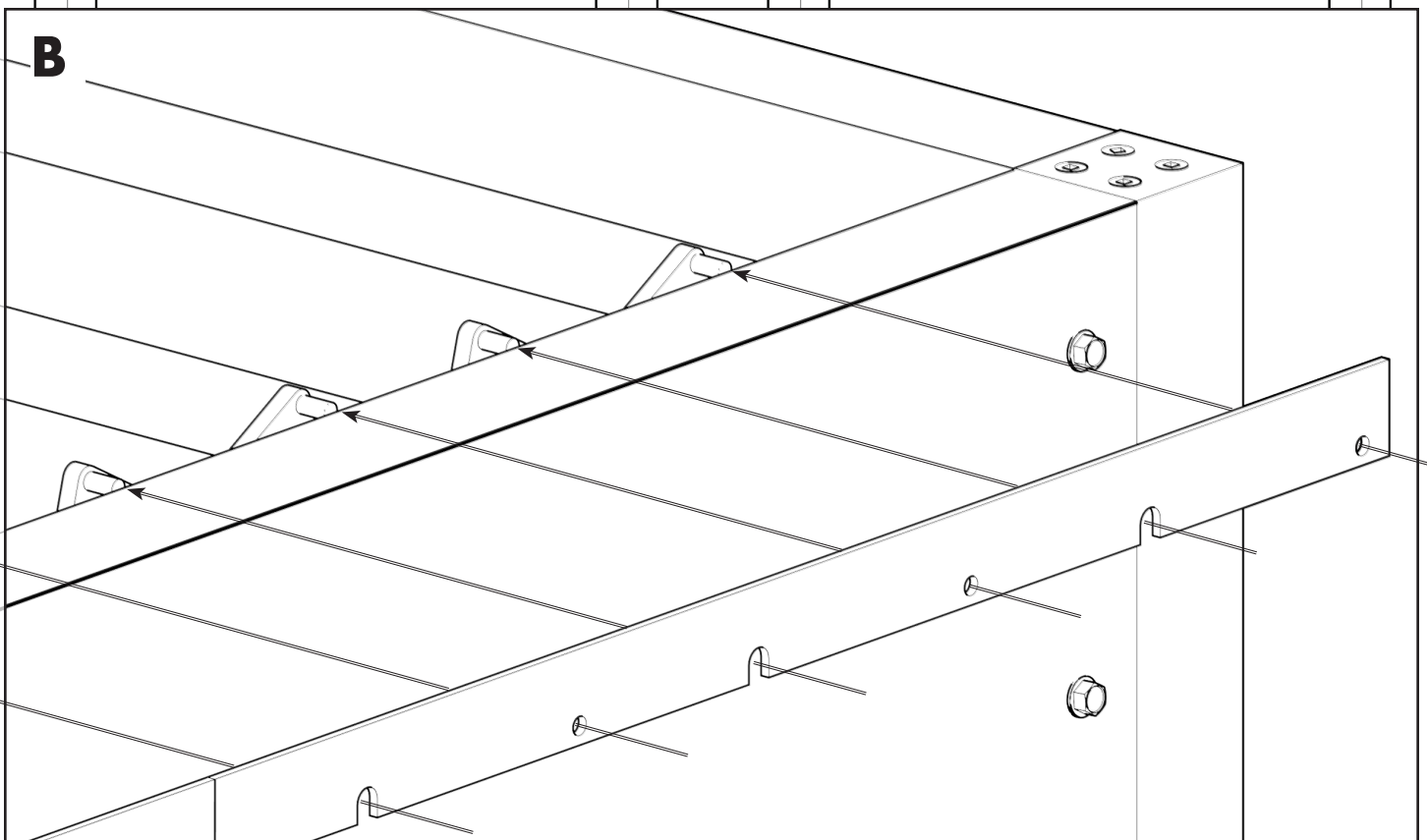


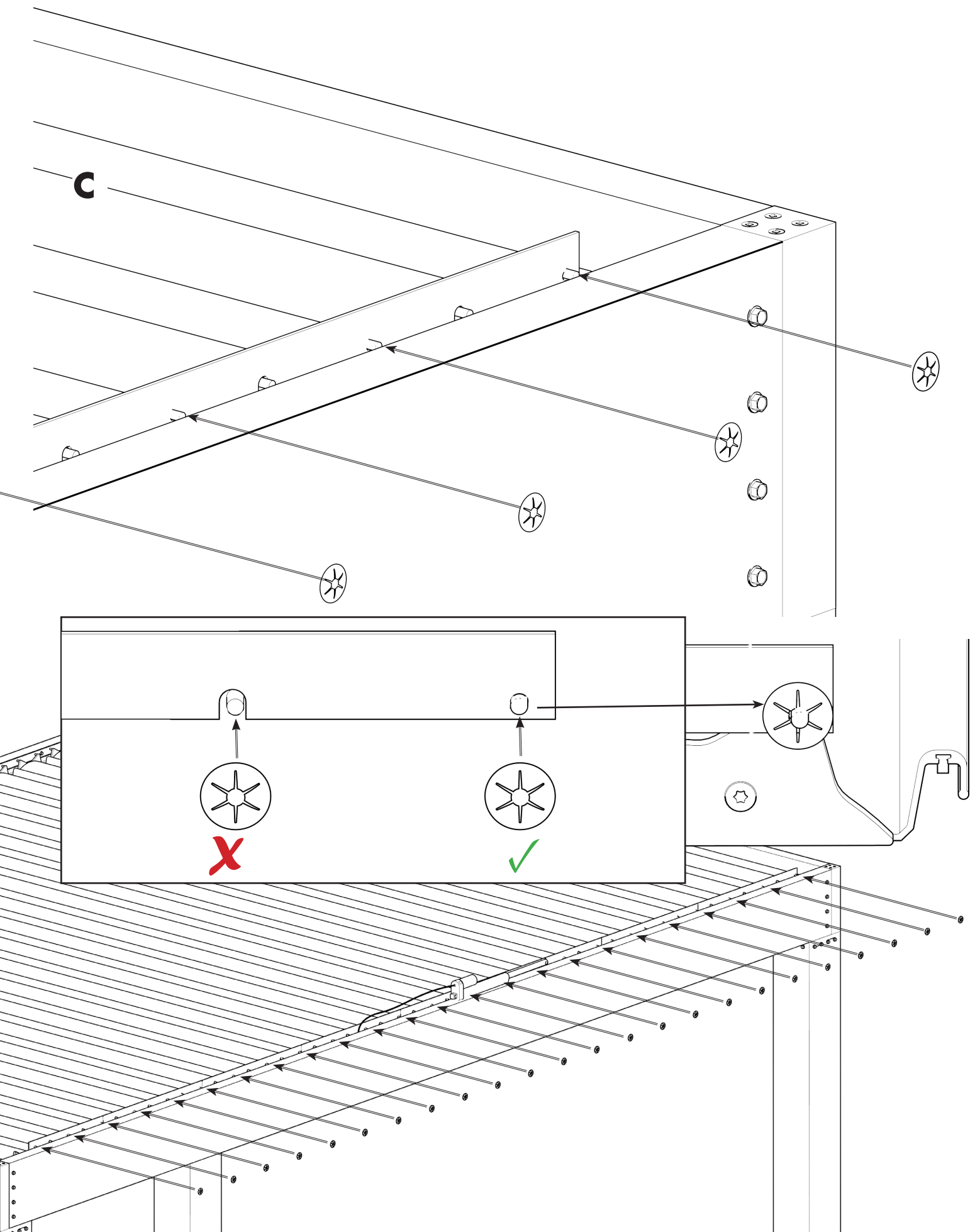
14

A

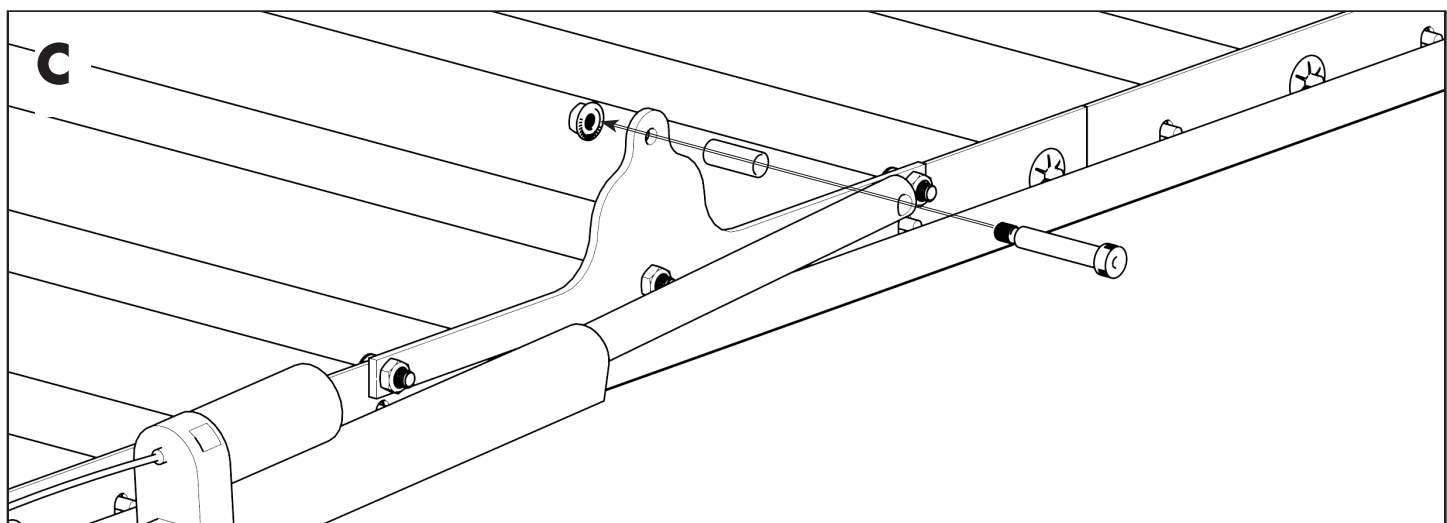
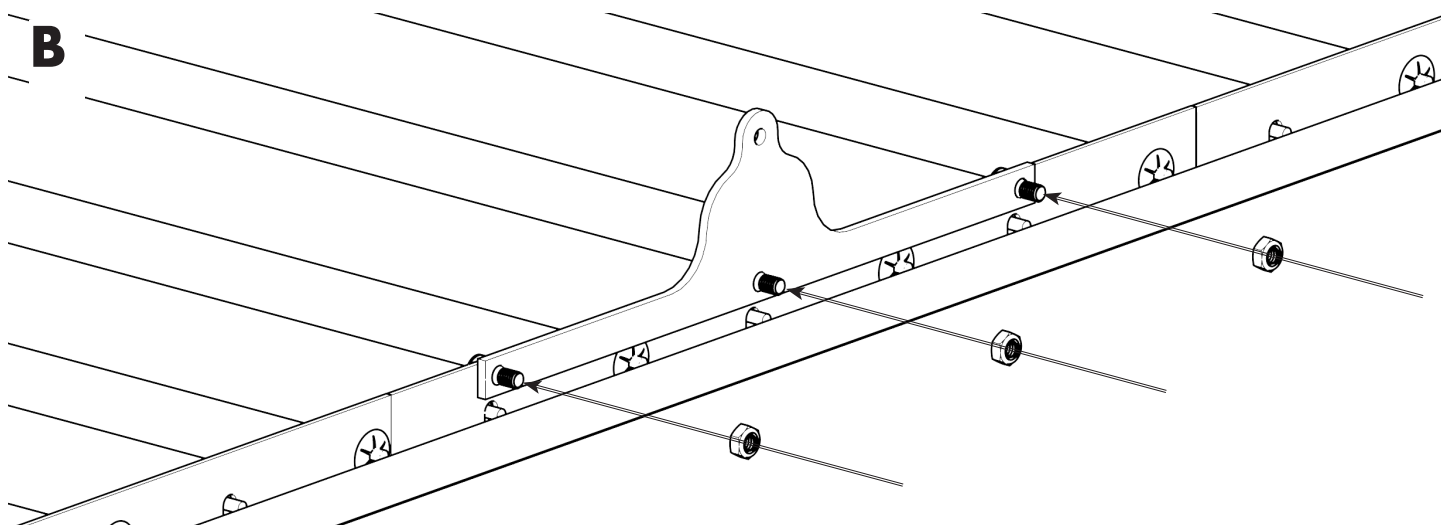
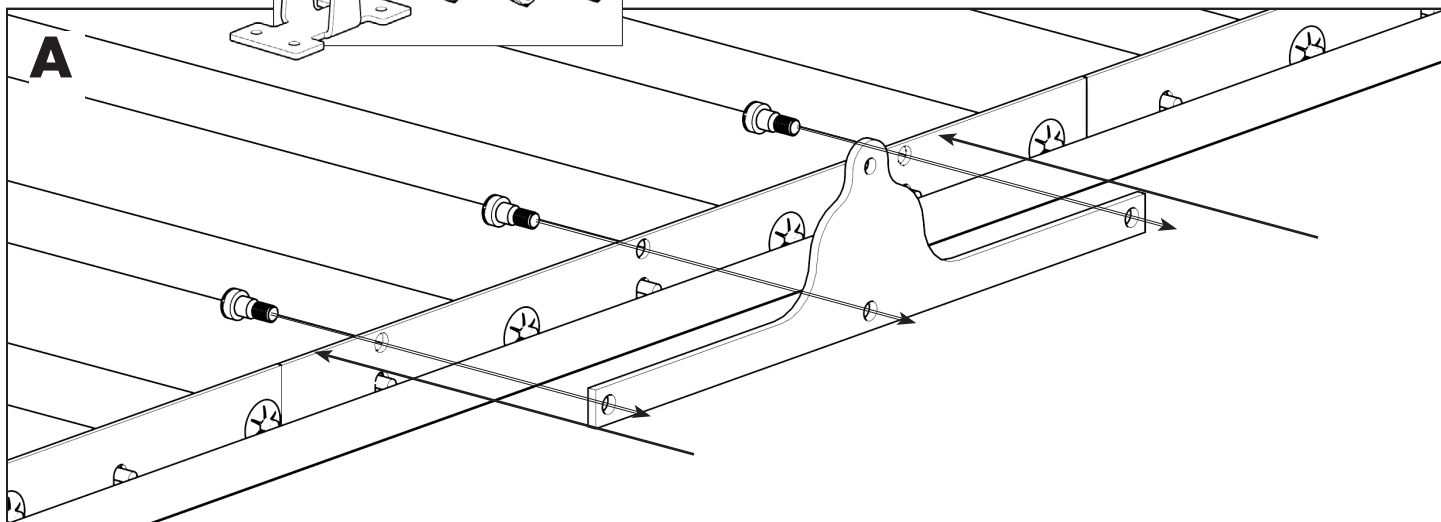
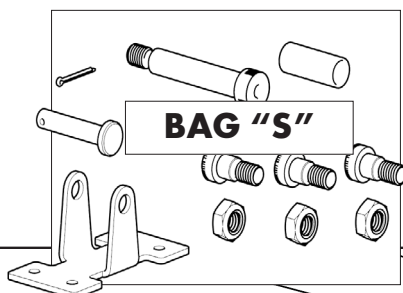


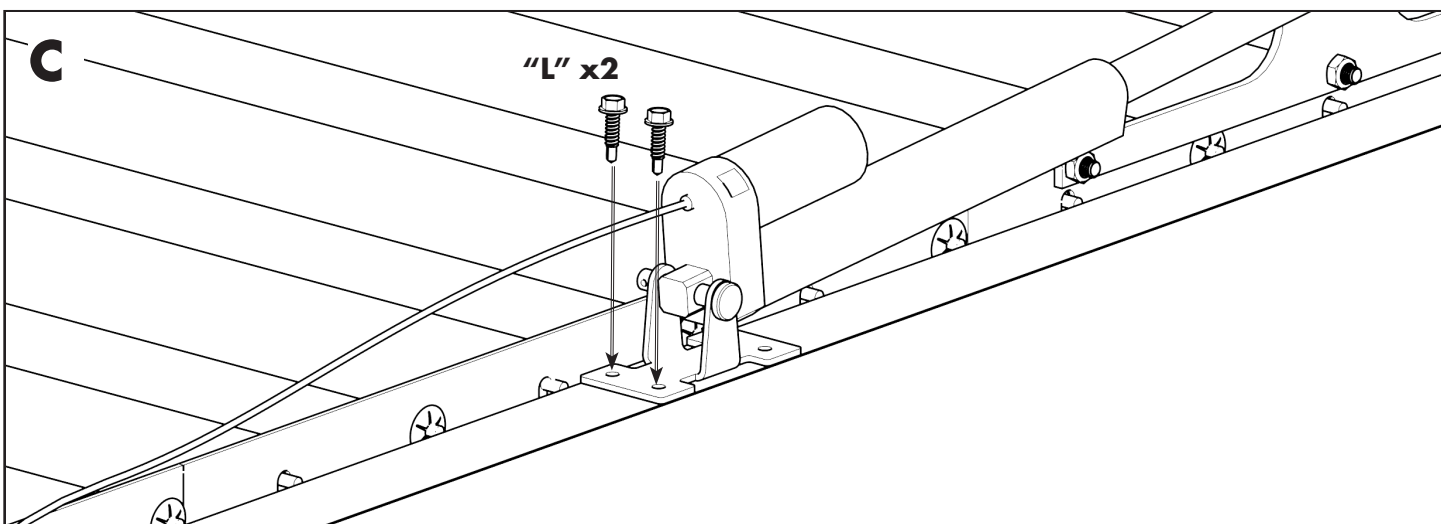
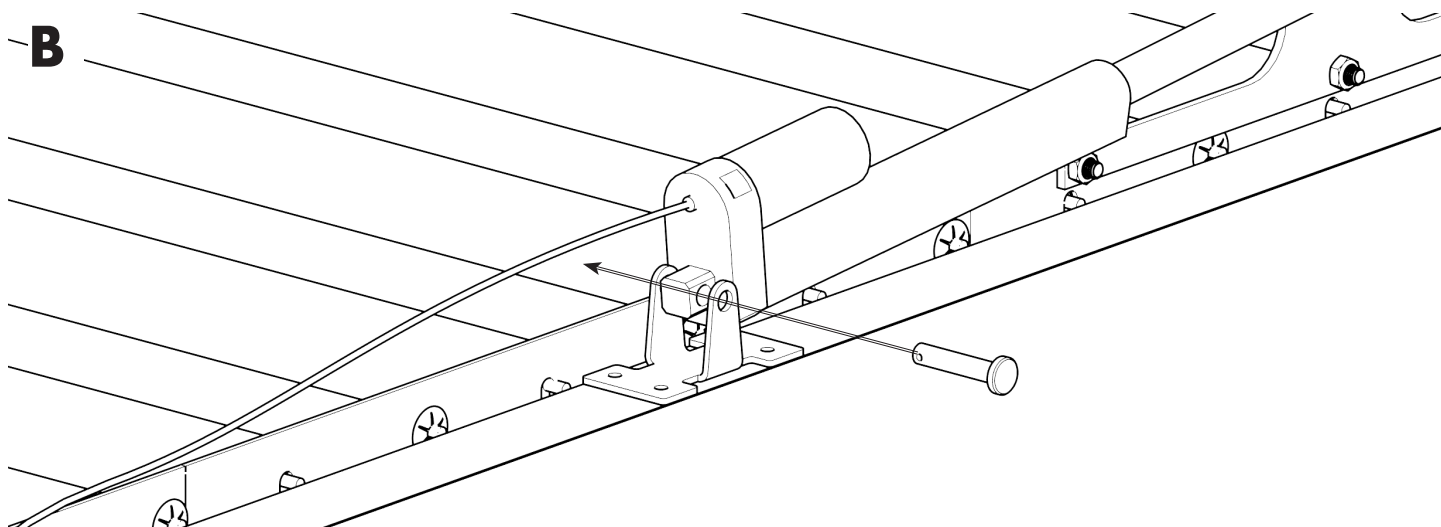
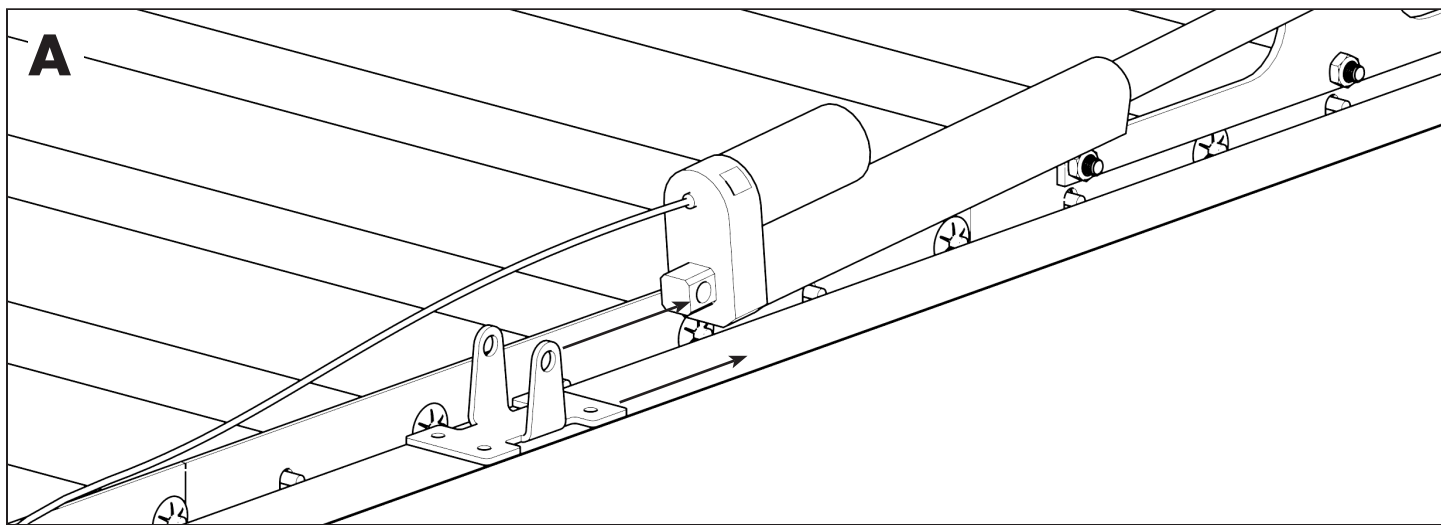
B



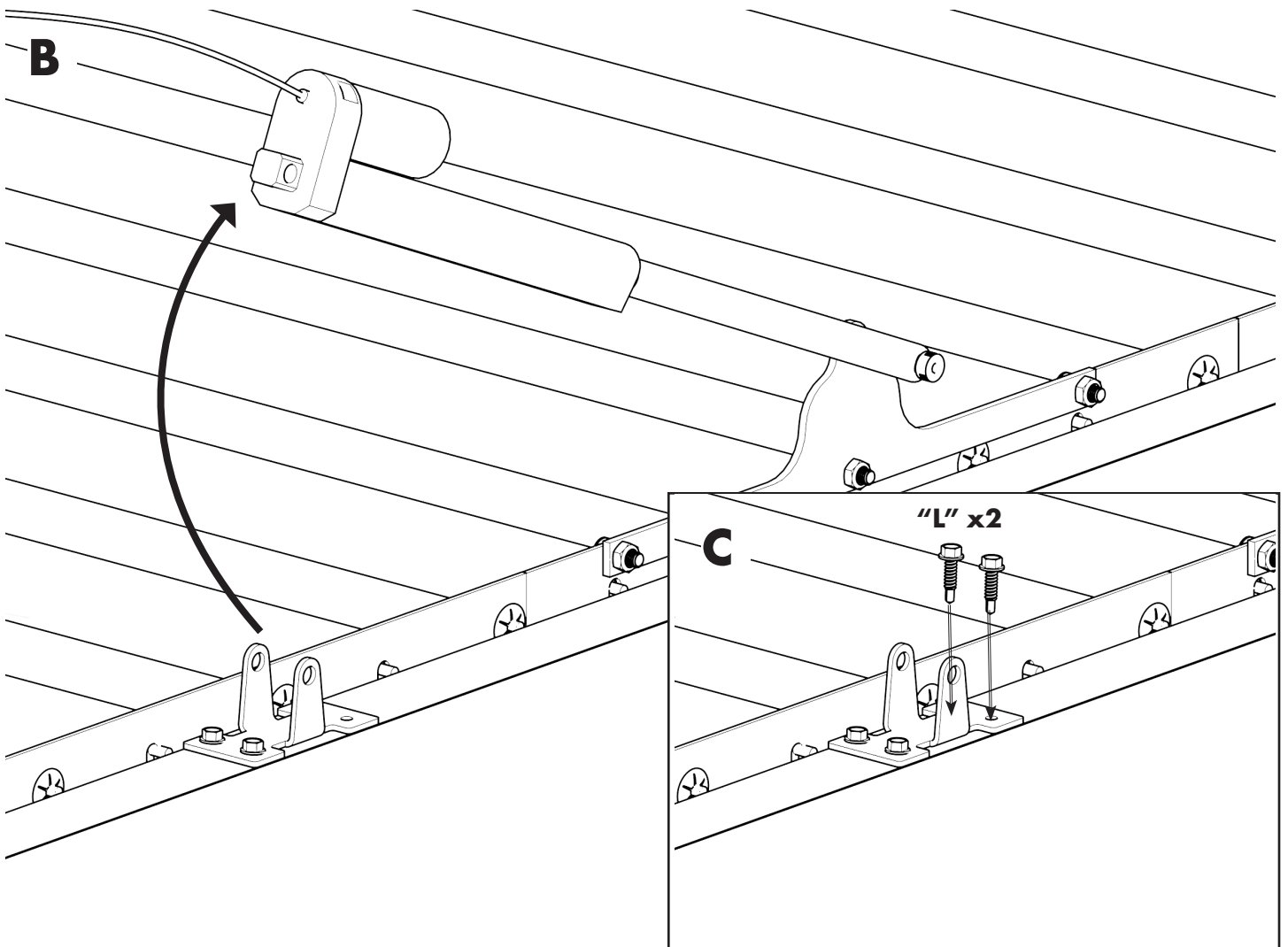
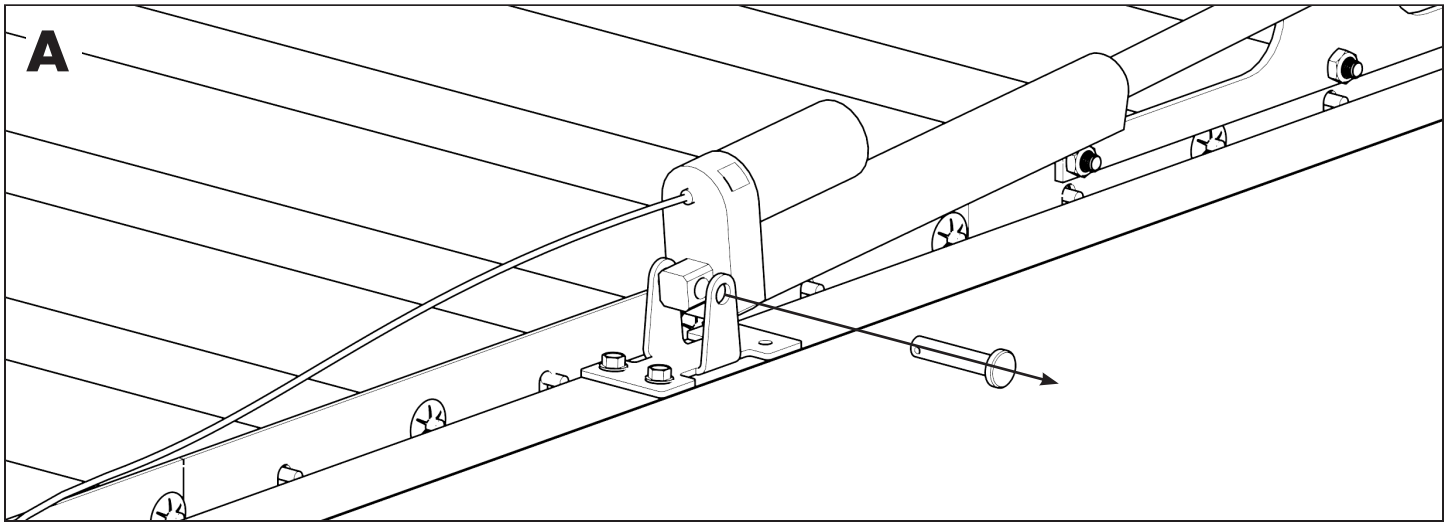


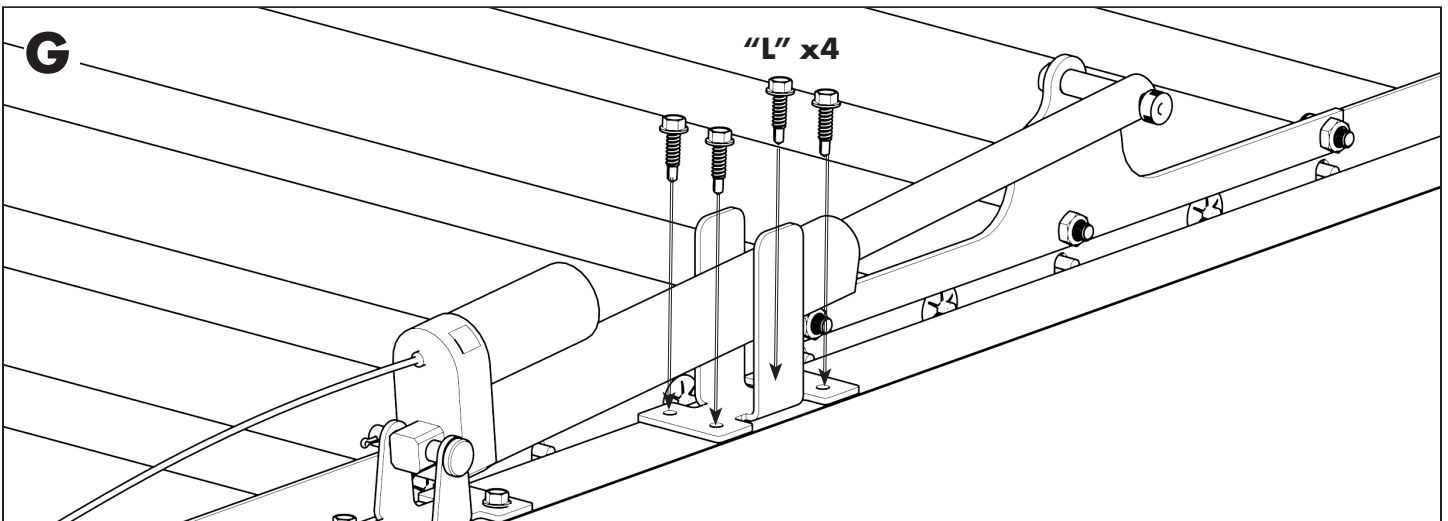
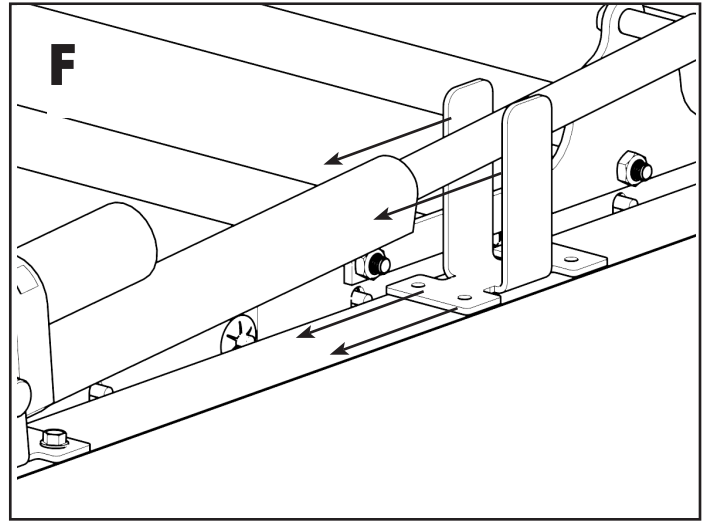
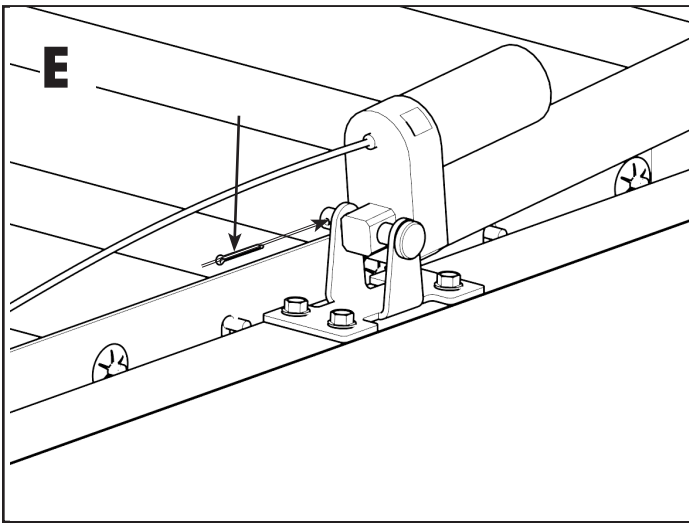
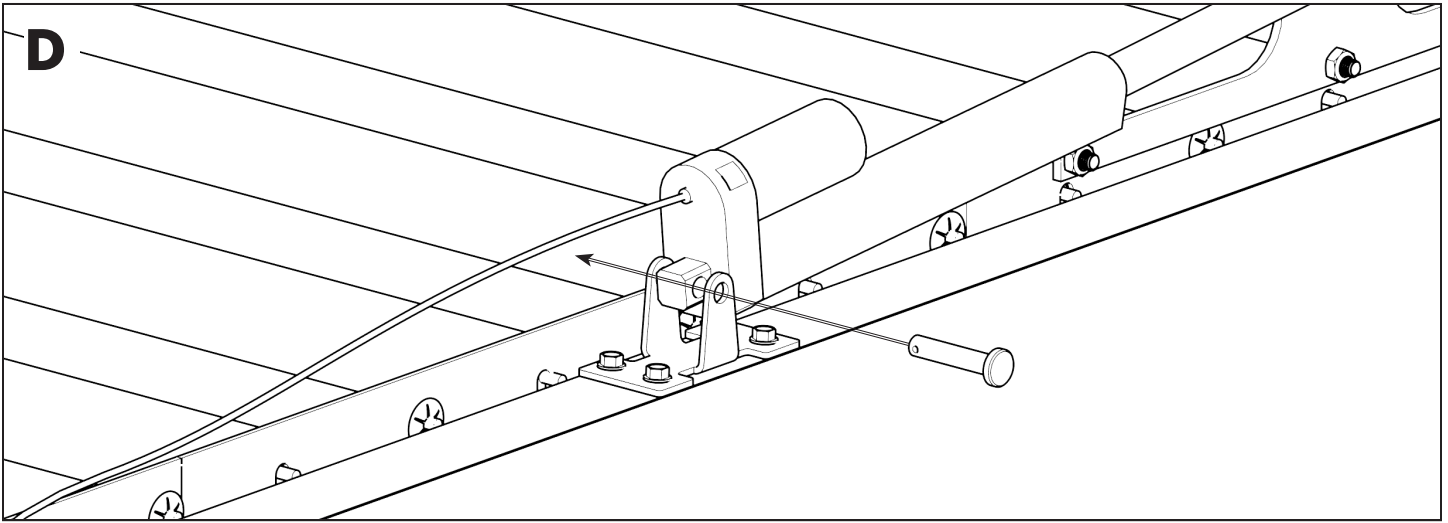
15



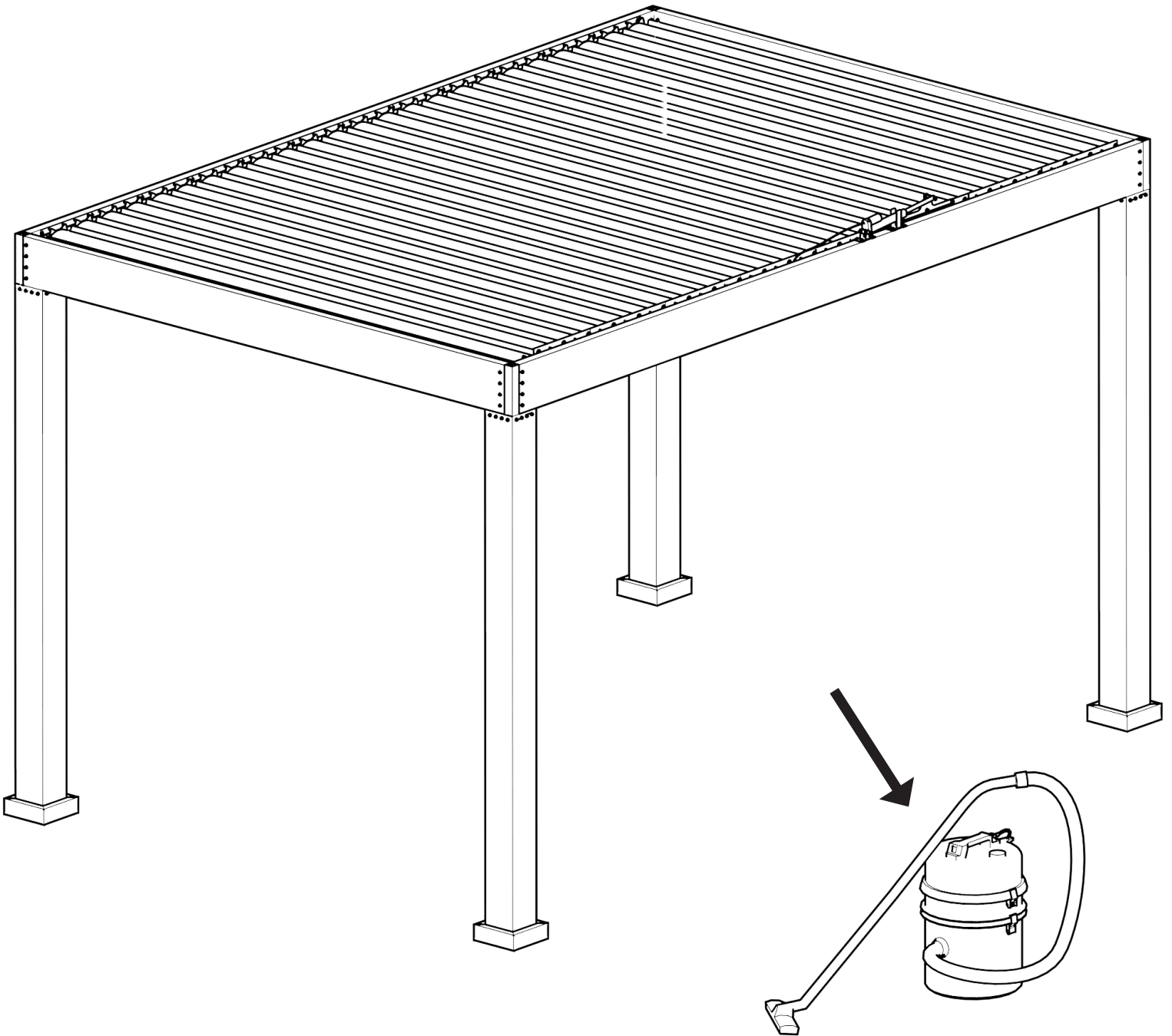


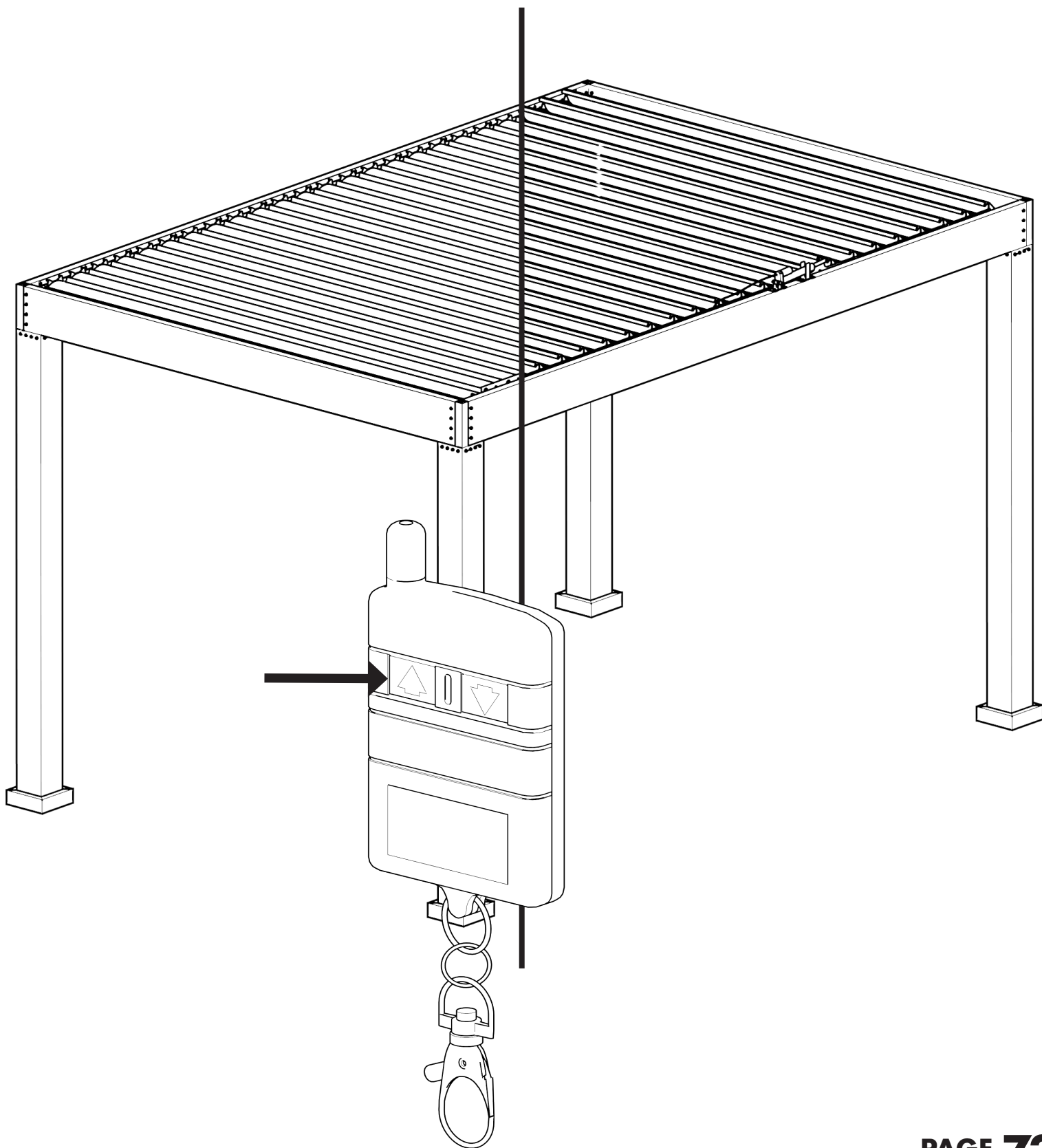
17

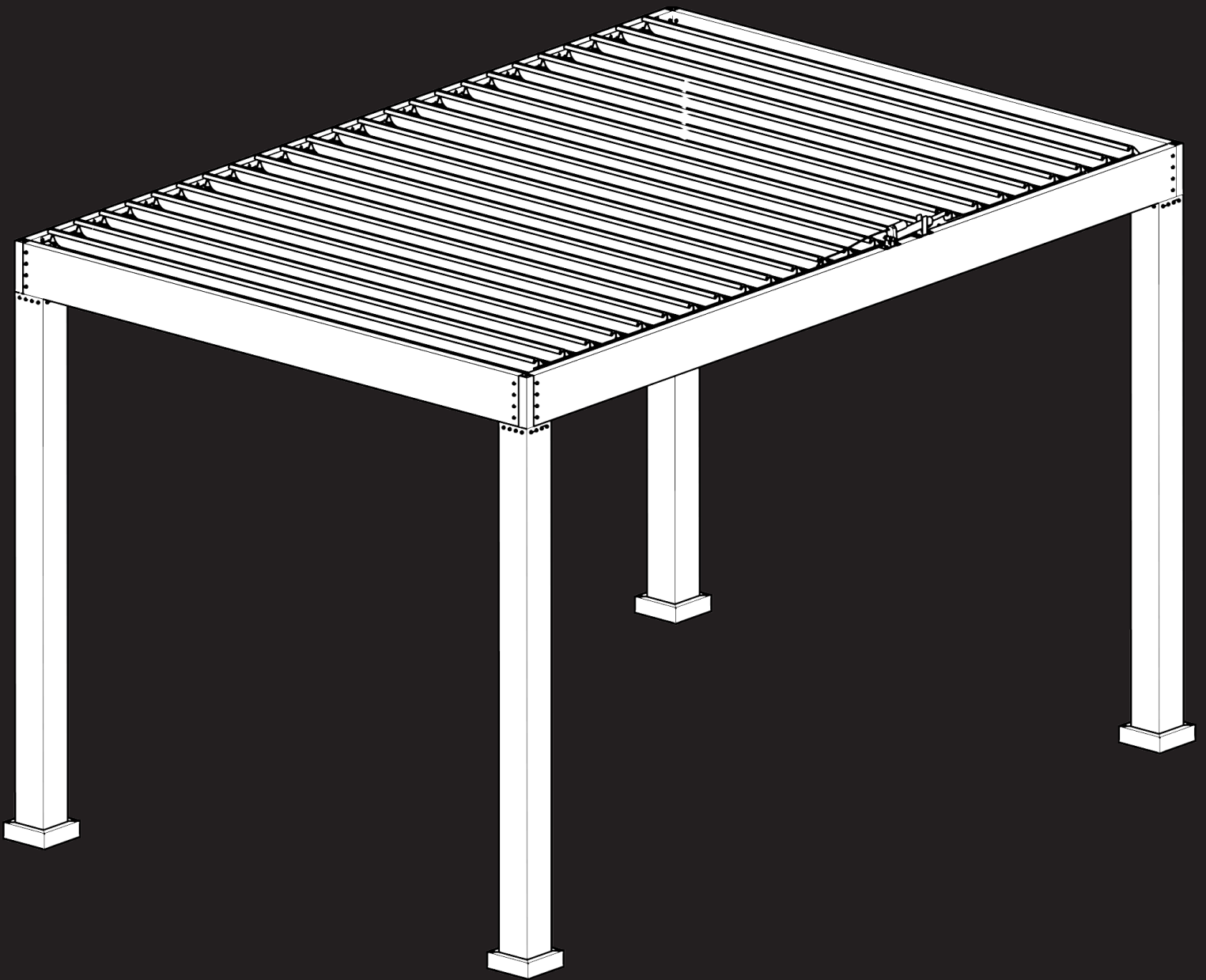




18







ASSEMBLY COMPLETE!

Thank you for choosing the Luxury Pergola -
don't hesitate to reach out if you have any questions!

www.theluxurypergola.com
Phone: +1-(317)-597-2545
Email: info@theluxurypergola.com



LIFETIME LIMITED WARRANTY

For Luxury Pergola Pro, Ultra, and Magnum Models

SEE Enterprises, LLC Manufacturer's LIFETIME LIMITED WARRANTY Coverage:

SEE Enterprises, LLC (SEE Enterprises) warrants the components used in the frame of the pergola (posts, gutters, louvers, and beams, and fabricated aluminum parts) under normal use and service conditions to be free of defects for as long as the customer owns their home.

SEE Enterprises also warrants the electronic components (motor, power supply, receiver, and electronic controls) to be free of defects under normal use and service conditions for as long as the customer owns their home. Batteries are not covered by this warranty.

Somfy electronics are warranted against defects for (5) years from date of shipment.

All electric components are warranted subject to the wire connections being protected and to the electric controls being installed in a waterproof box, in accordance with the relevant codes, protected from water and other weather conditions and installed according to SEE Enterprises installation instructions.

SEE Enterprises will at our expense and option correct any defects by repairing or replacing the defective components. SEE Enterprises reserves the right to discontinue and make changes to any of our products and in such event will substitute components that in our opinion are of equal grade, quality, and price. Normal weathering and aging of existing components will preclude a perfect color match of repaired or replaced components.

SEE Enterprises places intense importance on properly training dealer installation personnel; however, as the manufacturer SEE Enterprises provides no warranty on the installation itself. Transportation charges and installation labor charges are payable by the property owner in all cases for warranty replacements.

Excluded from coverage:

Incorrect fasteners or use; normal wear and tear including fading, staining, streaking or chalking, environmental effects including mildew, mold or pollution; rusting of steel components; components that show evidence of damage caused by improper installation (i.e. contravention to building code, SEE Enterprises guidelines or engineering documentation), chemicals or corrosives (including alkalis or chlorides from cement based materials, de-icing chemicals and corrosive salt atmosphere), power washing, accident, abuse, misuse, neglect, vandalism, fire, lightning, wind, earthquake, hailstorm or other acts of God, any movement of the supporting structure, unauthorized repairs or modifications, product that was not purchased new from SEE Enterprises or an authorized re-seller, accessories, connected materials and products, or related products not manufactured by SEE Enterprises.

Warranty Registration:

The property owner is automatically registered for their warranty from time of shipment. Complete registration instructions are provided by SEE Enterprises or the Authorized SEE Enterprises Dealer completing installation.

LIFETIME LIMITED WARRANTY (CONTINUED)

For Luxury Pergola Pro, Ultra, and Magnum Models

Transfer of Warranty:

This warranty is transferable by the original property owner to a successor owner of the property, provided SEE Enterprises receives written notice of the transfer of title of all property within thirty (30) days of the date of the transfer of ownership. Failure to give proper notification to SEE Enterprises of property ownership transfer shall relieve SEE Enterprises of any further obligation under this Limited Warranty and will result in the cancellation of warranty coverage. Please include the address of the installation, the installing dealer, if applicable, and the date of installation. Alternatively, the successor owner may request a new warranty registration card from SEE Enterprises which they may fill out and return to SEE Enterprises noting that this is a transfer. There is no charge for this transfer, however, SEE Enterprises must acknowledge in writing that the new registration has been received.

This Warranty only applies to product(s) installed within the continental United States.

CLAIM PROCEDURE

Any claim under this warranty must be in writing to:

SEE Enterprises, LLC
17437 Carey Road #285
Westfield, IN 46074
Attention: Claim Clerk

In the event of a claim, the writing should describe the claimed defect, date of the installation, name of the installing dealer, and proof of purchase. Allow a reasonable time for inspection purposes if determined to be necessary. Replacement parts provided by SEE Enterprises under this warranty will have the standard color available at that time. A color variance may occur between new parts or components in comparison with the original, due to color changes or weathering exposure and would not be indicative of a defect in the part or component. NOTE: All repair / service decisions are up to SEE Enterprises, i.e. part repair or replacement. Some parts may be repaired or repainted vs. replaced. These decisions are SEE Enterprises decisions and may vary from original preparation processes.

The foregoing states the EXCLUSIVE REMEDY of the purchaser and the entire liability of SEE Enterprises. SEE ENTERPRISES, LLC SHALL NOT BE LIABLE IN ANY EVENT FOR INCIDENTAL OR CONSEQUENTIAL DAMAGES. ANY IMPLIED WARRANTIES OF MERCHANTABILITY OR FITNESS FOR PARTICULAR PURPOSE ARE LIMITED IN TIME TO THE DURATION OF THE EXPRESS WARRANTY SET FORTH ABOVE AND ON PREVIOUS PAGE.



CONTACT US

www.theluxurypergola.com

Phone: +1-(317)-597-2545

Email: info@theluxurypergola.com