

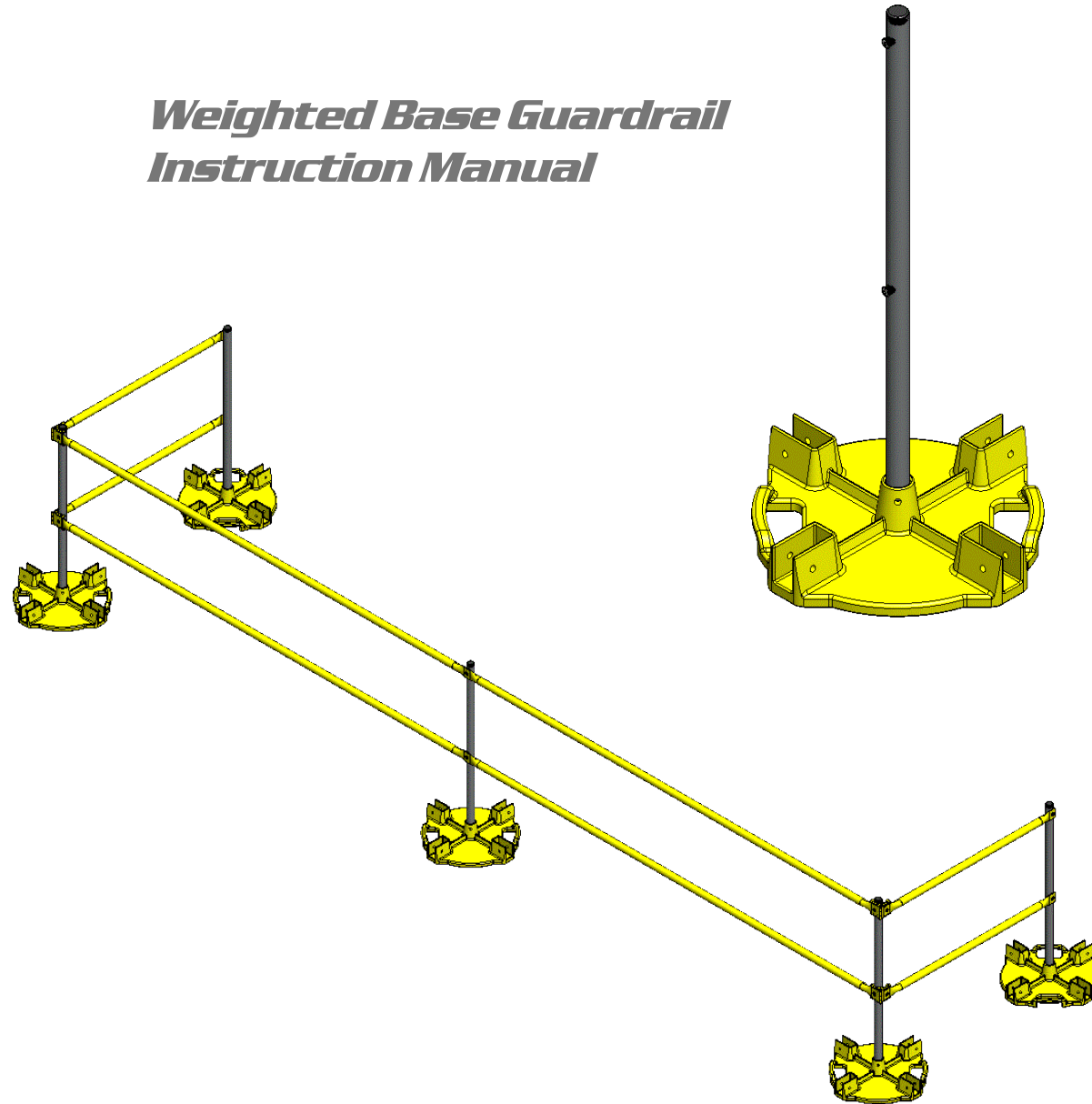
LEADING EDGE SAFETY

Complete Perimeter Fall Protection System

Weighted Base Guardrail Instruction Manual



PRS
PREMIER RAIL SYSTEMS



WARNING

Serious injury or death may result if this product is used for purposes other than designed. The manufacturer provides the following instructions for the installation, use, and care of this equipment. It is the responsibility of the purchaser to understand and convey explicit instruction to each user. This Leading Edge Safety product complies with the requirements of the Federal Occupational Safety and Health Administration (OSHA) when set up and used according to the manufacturers' instructions. Leading Edge Safety, LLC expressly disclaims any and all liability from injury, damage, or other loss resulting from improper or unauthorized installation or use of this product.

WWW.LEADINGEDGESAFETY.NET

LEADING EDGE SAFETY INSTRUCTION MANUAL

E
N
G
L
I
S
H

Weighted Base Instruction Manual

Published by Leading Edge Safety, LLC, N Kansas City, MO

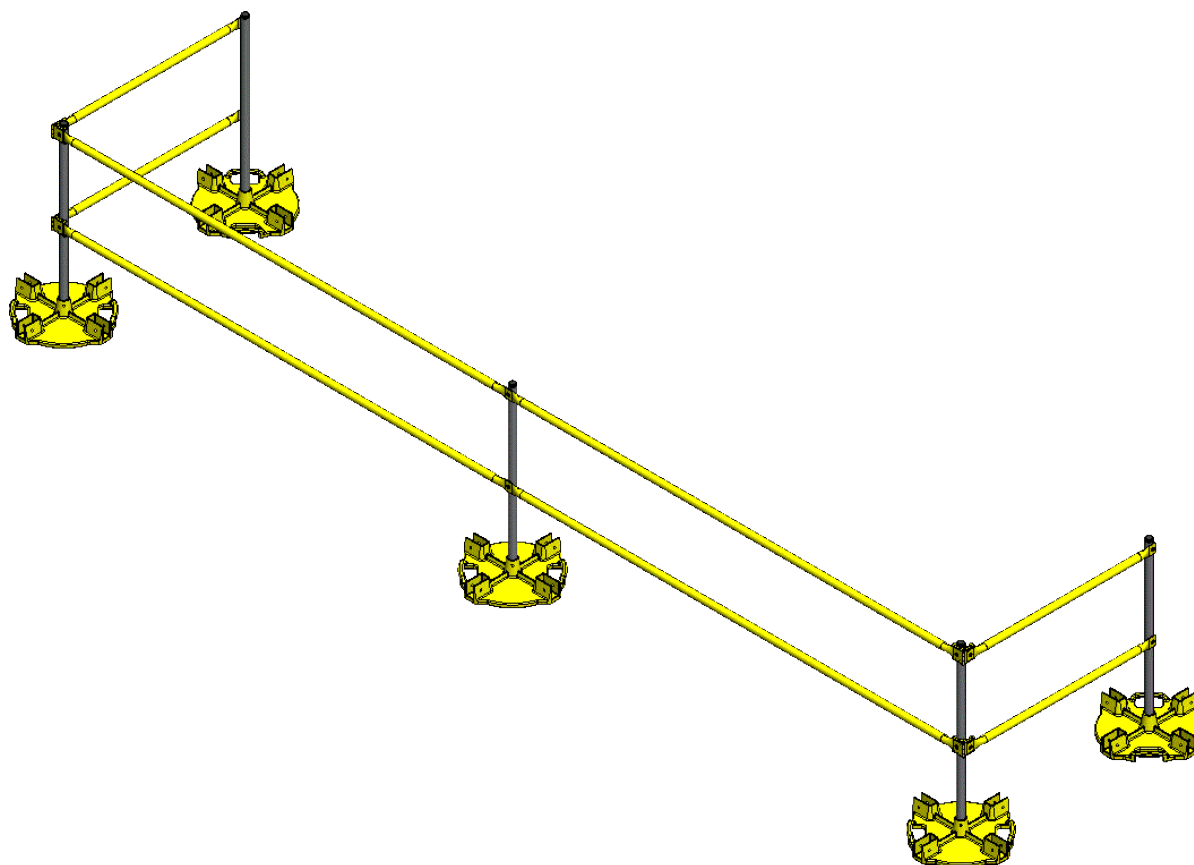
1345 Taney Street
N Kansas City, Missouri 64116
(T) 888.990.2990
www.leadingedgesafety.net

Copyright © 2019 by Leading Edge Safety, LLC

PRINTED IN THE UNITED STATES OF AMERICA

LEADING EDGE SAFETY INSTRUCTION MANUAL

PRODUCT OVERVIEW



Use and Limitations

The Weighted Base Guardrail can be used with many different applications when installed by a competent professional and the structure is capable of withstanding the weight of the system as determined by a competent professional.

The Weighted Base Guardrail system is intended for use as leading edge and roof opening protection as defined by OSHA Standards and meets and exceeds those Standards when properly designed and installed.

NO component of the Weighted Base Guardrail system has been designed, tested or intended as an 'Anchorage' point as defined by OSHA Standards and should NEVER be used as such.

Hoisting and snap hook devices should never be attached to any component of the Weighted Base Guardrail system.

Leading Edge Safety Weight Base Guardrails are designed to prevent employees from falling when properly installed. While companies can provide safety training and safety systems, such as guardrail systems, every employee is responsible for their own safety and should act in a safe and responsible manner.

In addition to fall protection such as guardrails, Leading Edge Safety recommends implementing a Fall Protection Plans and safety training in accordance with OSHA Rule 1926.503.

Improper use of Leading Edge Safety products can result in serious injury or death.

The Weighted Base Guardrail should be used as a part of a complete fall protection system and plan.

After a Fall or Impact

All components that have been subjected to fall or impact forces must be removed from service immediately for inspection by qualified personnel and replaced if necessary.

Before Each Use

The Weighted Base Guardrail system should be inspected prior to each use for wear, damage or deterioration, and defective components shall be removed from service.

INSPECTION STEPS

STEP 1: Check for loose, bent or damaged parts.

STEP 2: Check fasteners/connectors for distortion, cracks, or other damage and proper torque.

STEP 3: All labels must be present and fully legible.

STEP 4: Check for corrosion on Parts.

MAINTENANCE AND CARE:

- A. Inspect all Weighted Base Guardrail components before each use.
- B. Annually and before each use, inspect all fasteners for proper torque.
- C. Maintain paint finish to prevent corrosion.
- D. Replace damaged or deteriorated parts immediately.

General Safety

Use common sense and safe work practices.

The guardrails should not be used by persons whose ability or alertness is impaired by fatigue, intoxication, illegal or prescription drugs, or any other physical cause that exposes the user or others to injury.

Always wear proper safety attire.

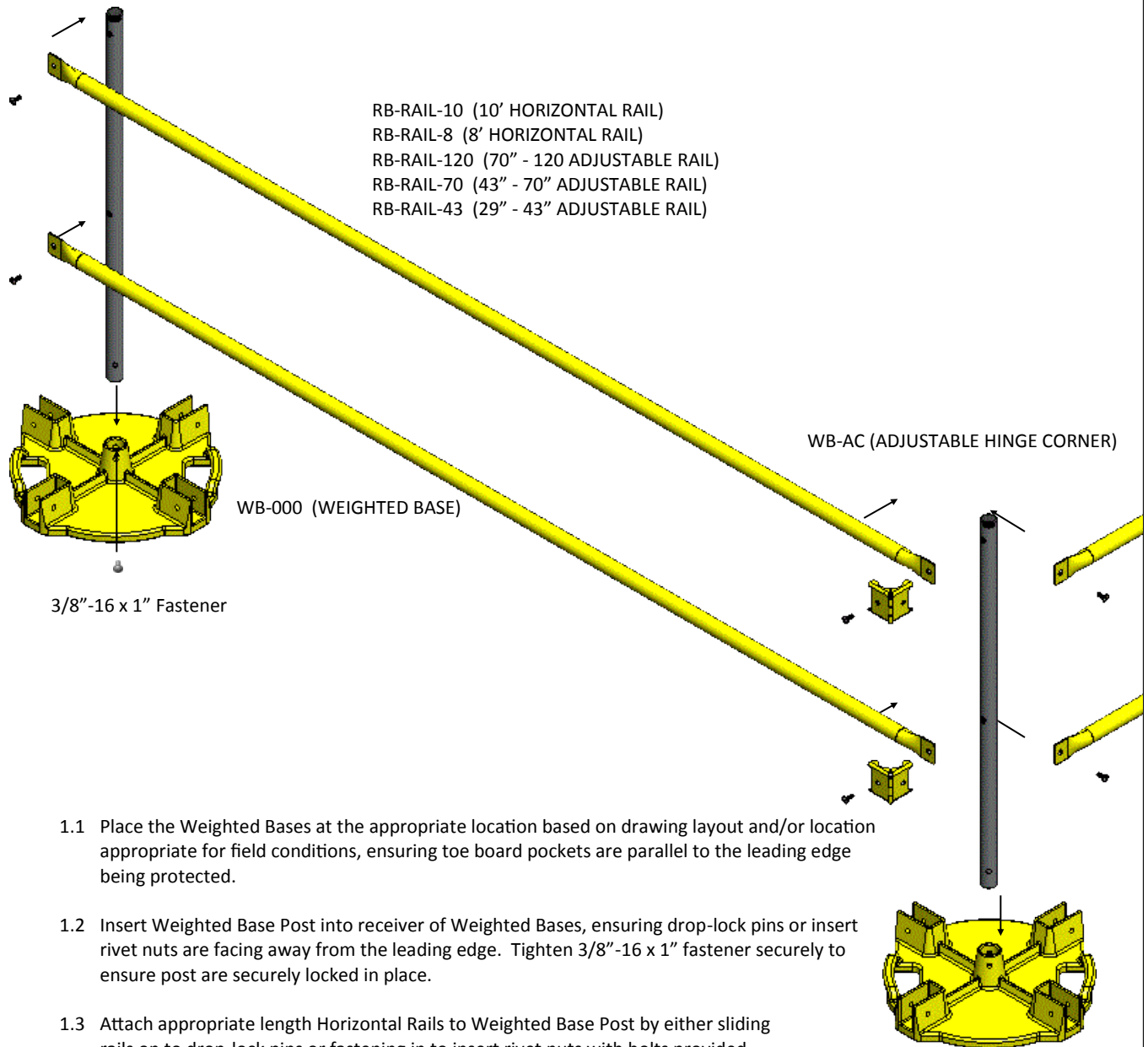
Workers on the roof should be trained in accordance with OSHA Standards.

LEADING EDGE SAFETY INSTRUCTION MANUAL

ENGLISH

1.0 Assembly/Setup

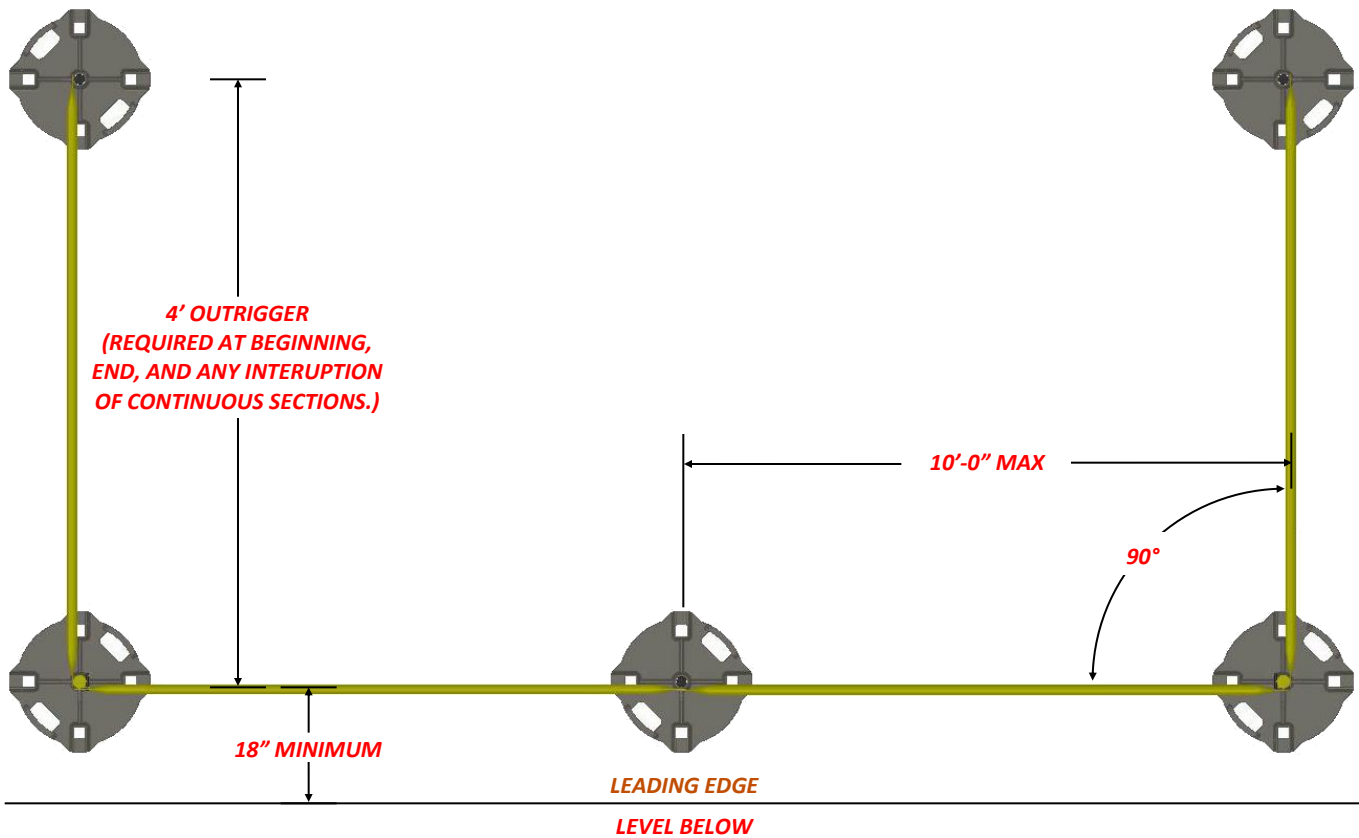
WB-POST-RN (WEIGHTED BASE POST)



- 1.1 Place the Weighted Bases at the appropriate location based on drawing layout and/or location appropriate for field conditions, ensuring toe board pockets are parallel to the leading edge being protected.
- 1.2 Insert Weighted Base Post into receiver of Weighted Bases, ensuring drop-lock pins or insert rivet nuts are facing away from the leading edge. Tighten 3/8"-16 x 1" fastener securely to ensure post are securely locked in place.
- 1.3 Attach appropriate length Horizontal Rails to Weighted Base Post by either sliding rails on to drop-lock pins or fastening in to insert rivet nuts with bolts provided. When attaching horizontal rails using bolts and insert nuts, tighten bolts to recommended torque of 70 inch pounds for clean and dry bolts.

LEADING EDGE SAFETY INSTRUCTION MANUAL

2.0 Proper Layout and Design

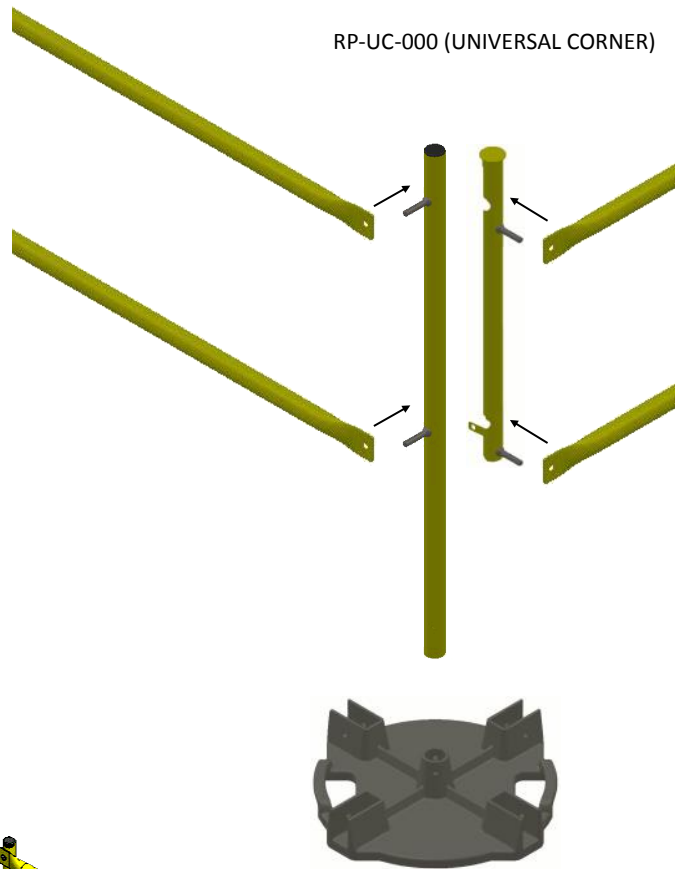


- READ AND FOLLOW INSTALLATION AND DESIGN INSTRUCTIONS PRIOR TO INSTALLATION.
- ENSURE SYSTEM DOES NOT EXCEED LOAD LIMIT OF SUBSTRATE.
- DO NOT DESIGN OR INSTALL PRODUCT WITHIN 10' OF HIGH VOLTAGE ELECTRICAL LINES.
- NEVER INSTALL DAMAGED PRODUCT.
- DO NOT INSTALL PRODUCT ON SLIPPERY SURFACES.
- DO NOT INSTALL PRODUCT ON SLOPED SURFACES.
- ONLY INSTALL WEIGHTED BASES OVER CLEAN, DRY AND DEBRIS-FREE SURFACES.
- DO NOT TIE-OFF TO OR USE ANY COMPONENT OF THIS SYSTEM AS AN ANCHOR POINT.
- DO NOT USE ANY COMPONENT OF THIS SYSTEM FOR HOISTING.
- INSPECT THE SYSTEM AFTER INSTALLATION TO ENSURE ALL COMPONENTS ARE SECURELY ATTACHED.
- INSPECT SYSTEM ANNUALLY FOR DAMAGE AND TO ENSURE COMPONENTS ARE SECURELY ATTACHED.
- ANY DAMAGE TO THE FINISH SHOULD BE TREATED WITH A RUST INHIBITIVE PAINT OR COATING.
- IF YOU ARE UNSURE OF PROPER DESIGN, INSTALLATION, USE OR CARE OF THIS THIS SYSTEM, CONTACT THE MANUFACTURE WITH ANY QUESTIONS OR CONCERNS.

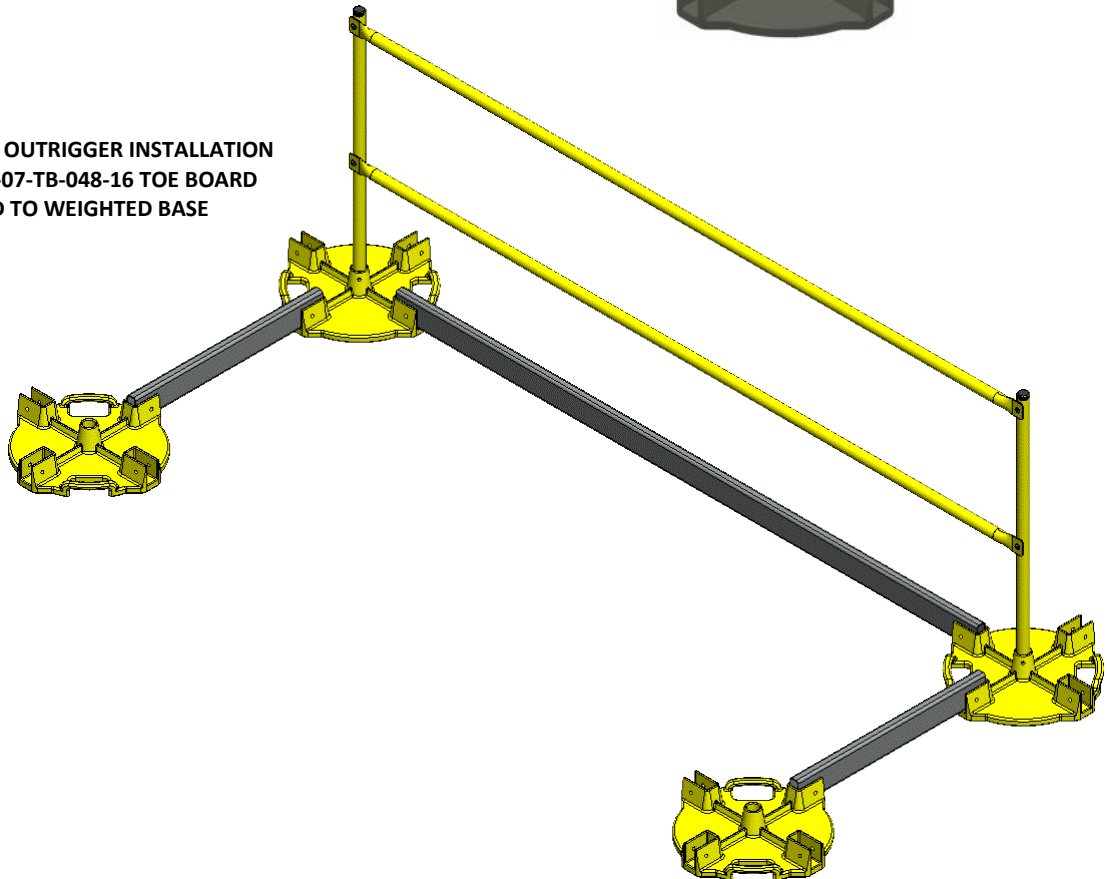
LEADING EDGE SAFETY INSTRUCTION MANUAL

E
N
G
L
I
S
H

ALTERNATIVE CORNER INSTALLATION
FOR DROP-LOCK UPRIGHT SYSTEM



ALTERNATIVE OUTRIGGER INSTALLATION
UTILIZING RB-07-TB-048-16 TOE BOARD
THRU-BOLTED TO WEIGHTED BASE



LEADING EDGE SAFETY INSTRUCTION MANUAL

E
N
G
L
I
S
H

APPENDIX B - Assembly, Inspection and Maintenance Log

*** PLEASE COPY THIS EXAMPLE LOG AND REVIEW BEFORE EACH USE
AND DURING REGULARLY SCHEDULED MAINTENANCE ***

DATE IN-SERVICE:	
ASSEMBLED BY: (PRINT NAME)	
SIGNATURE:	
COMPANY:	
INTENDED USE OR OTHER RELEVANT DETAILS:	

DATE:	
INSPECTED BY:	
NOTE CONDITION OF:	
UPRIGHTS:	
UPRIGHT RAIL CONNECTORS:	
RAILS:	
OTHER MISC PARTS:	
NOTES:	

DATE:	
INSPECTED BY:	
NOTE CONDITION OF:	
UPRIGHTS:	
UPRIGHT RAIL CONNECTORS:	
RAILS:	
OTHER MISC PARTS:	
NOTES:	

LEADING EDGE SAFETY INSTRUCTION MANUAL



1345 Taney Street
North Kansas City, Missouri 64116
888.990.2990
www.leadingedgesafety.net



Copyright © 2019 by Leading Edge Safety, LLC

PRINTED IN THE UNITED STATES OF AMERICA

WB-RN-2019v041119