

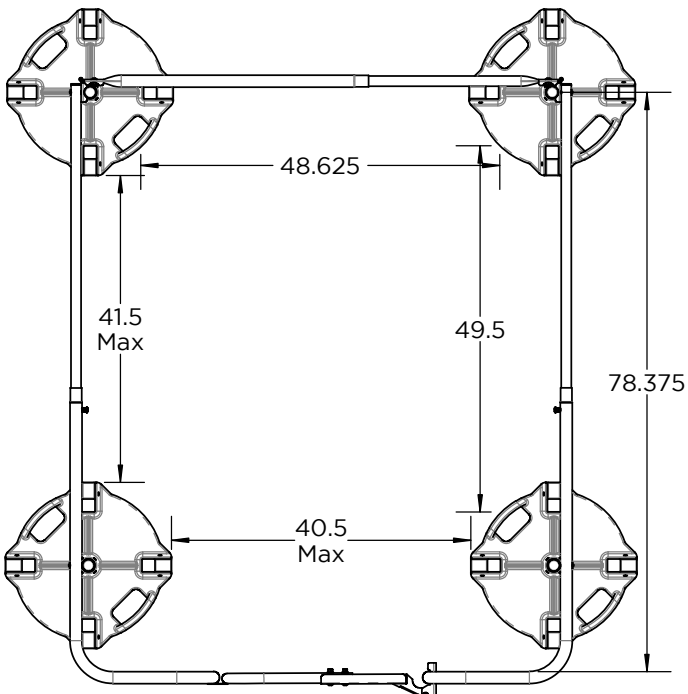
1 2 3 4

**NOTES:**

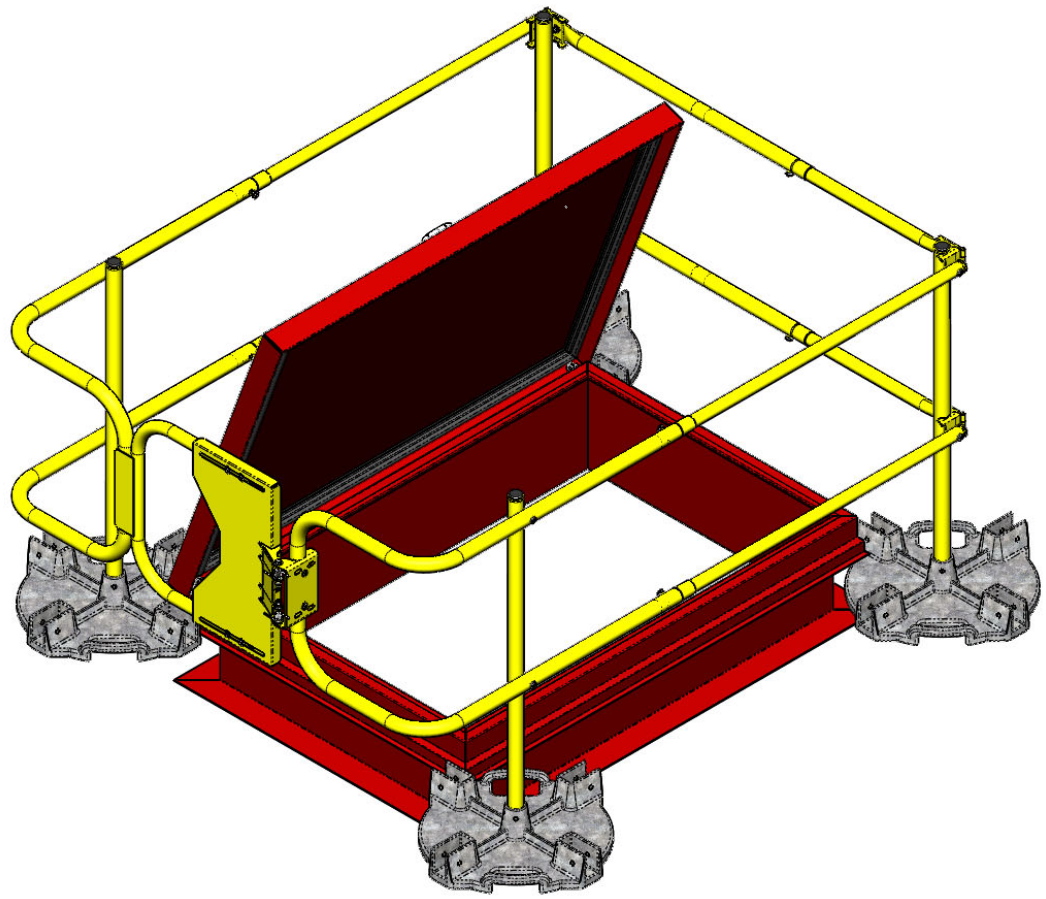
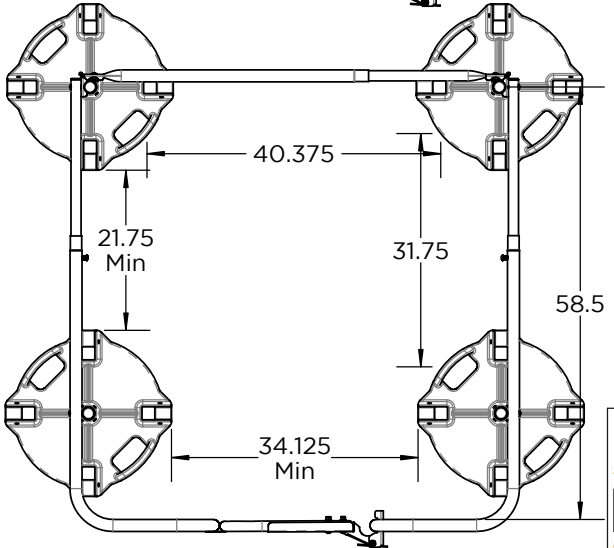
All Measurements in Inches  
 Approx. Assembly Weight: 520.0 lbs.

Parts:	Qty:
--------	------

A



B



A

B

1 2 3 4



1345 TANEY STREET  
 NORTH KANSAS CITY, MO 64116  
 (T) 888-990-2990  
 (P) 816-471-1349  
 SALES@LEADINGEDGESAFETY.NET  
 Information in this drawing is for reference only.

Scale: Varies (8.5x11)  
 Dwg: WBRH-36x54-17

Ballasted Base Roof Hatch Guard  
 Rail Assembly  
 36" x 54" Inside Roof Hatch Unit