

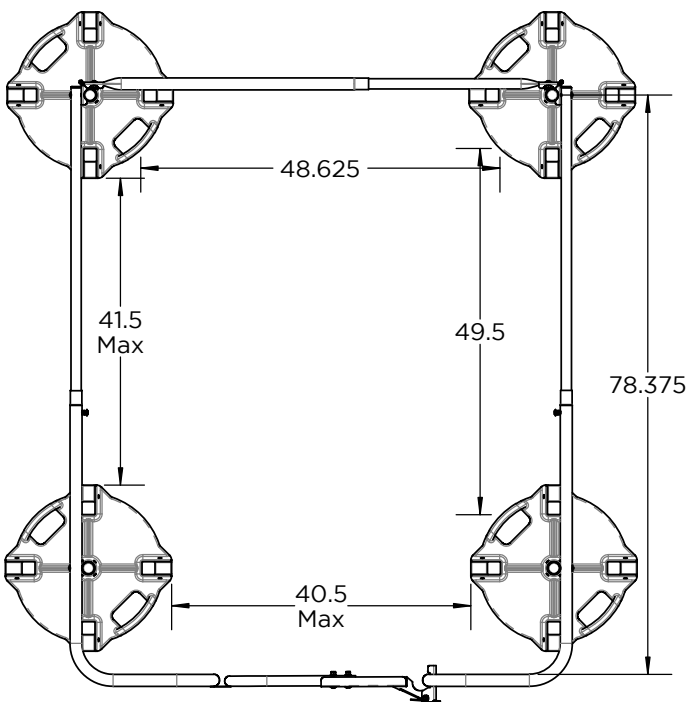
1 2 3 4

Parts:	Qty:
--------	------

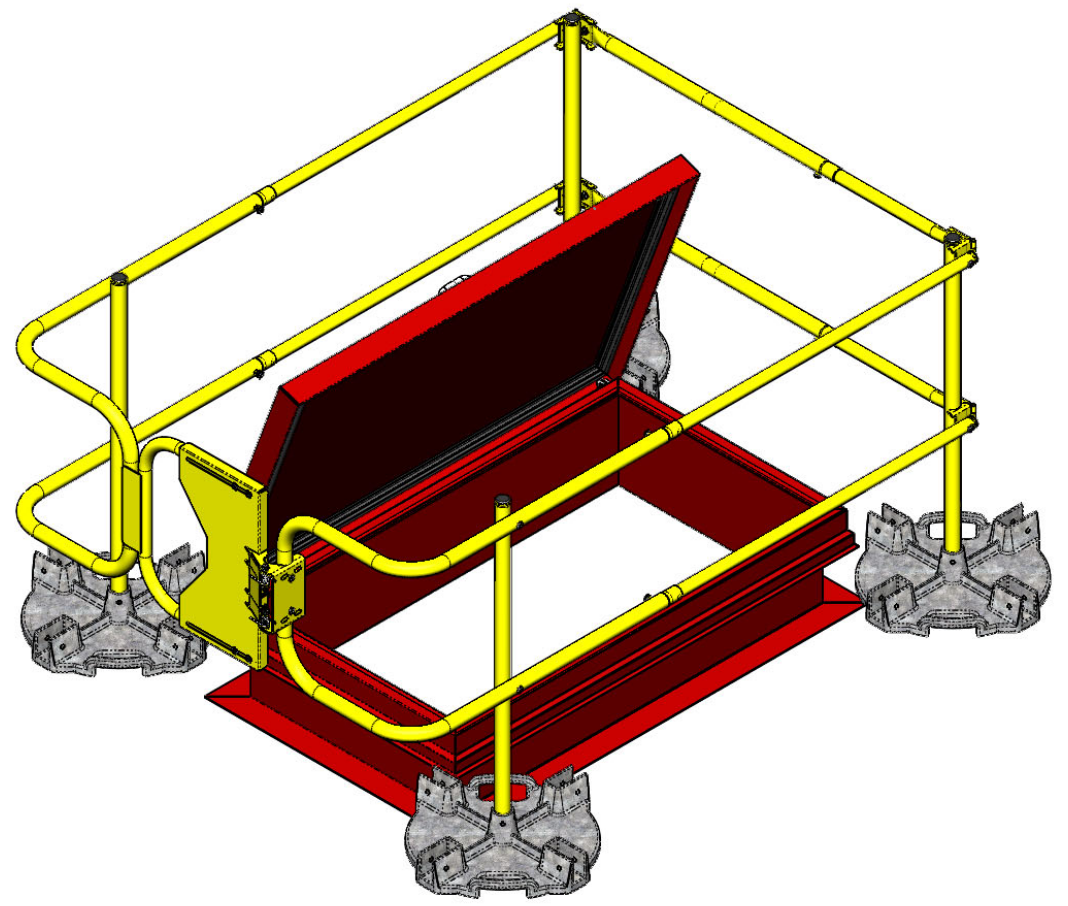
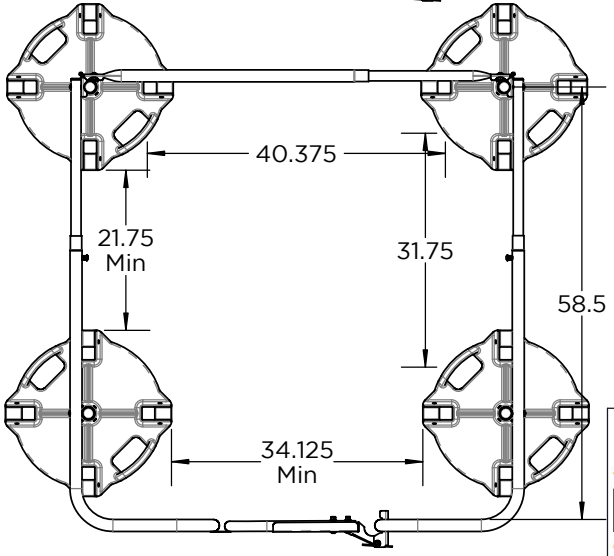
NOTES:

All Measurements in Inches
 Approx. Assembly Weight: 520.0 lbs.

A



B



A

B

1 2 3 4



1345 TANEY STREET
 NORTH KANSAS CITY, MO 64116
 (T) 888-990-2990
 (P) 816-471-1349
 SALES@LEADINGEDGESAFETY.NET
 Information in this drawing is for reference only.

Scale: Varies (8.5x11)
 Dwg: WBRH-30x54-17

Ballasted Base Roof Hatch Guard
 Rail Assembly
 30" x 54" Inside Roof Hatch Unit