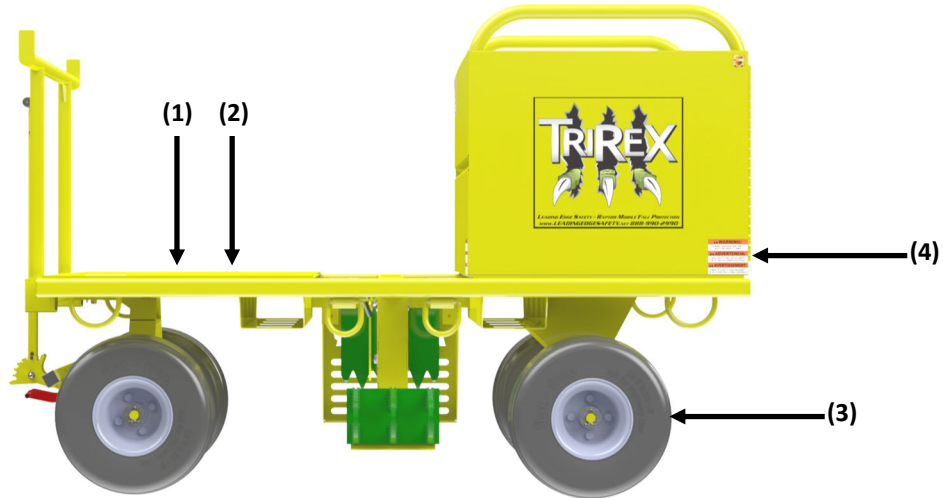


TRIEX MOBILE FALL CART INSPECTION AND MAINTENANCE LOG

PLEASE COPY THIS LOG. FILL IT OUT BEFORE EACH USE. AND KEEP IT IN YOUR RECORDS.

EQUIPMENT MODEL #: TR-000-_____ JOB NAME: _____
 EQUIPMENT SERIAL #: _____
 INSPECTION DATE: _____



GENERAL INSPECTION ITEMS:



(1) General Cart / Frame Damage - Inspect for Loose, bent or damaged parts

	Corrective Action Needed?	
Inspected By:	Yes <input type="radio"/> No <input type="radio"/>	Maintenance Performed:

(2) General Cart / Frame Welded Connections - Inspect welded connections for visible distortion, cracks or other damage

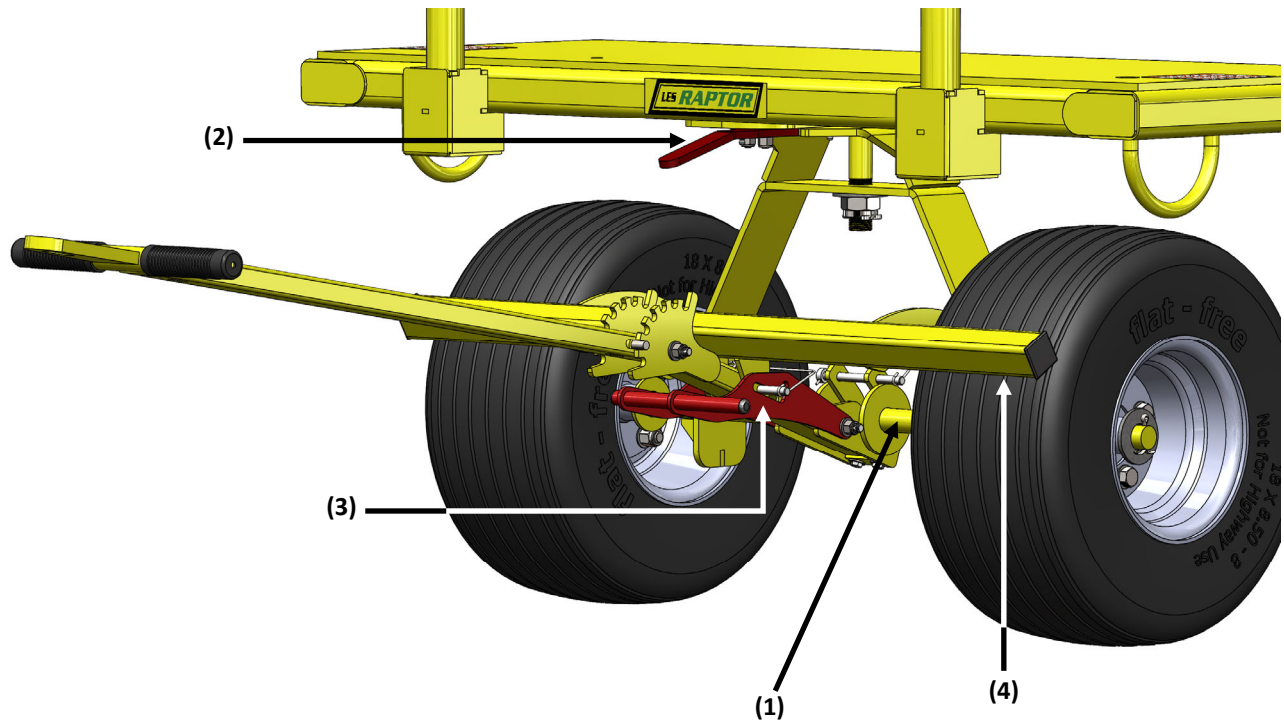
	Corrective Action Needed?	
Inspected By:	Yes <input type="radio"/> No <input type="radio"/>	Maintenance Performed:

(3) Wheels and Tires - Inspect wheels and tires for damage, flat spots or excessive build up

	Corrective Action Needed?	
Inspected By:	Yes <input type="radio"/> No <input type="radio"/>	Maintenance Performed:

(4) Safety Labels - Inspect that all of the Safety Labels are present and legible (The user manual has a complete listing of labels and locations)

	Corrective Action Needed?	
Inspected By:	Yes <input type="radio"/> No <input type="radio"/>	Maintenance Performed:



FRONT AXLE, HANDLE AND BRAKING SYSTEM:

(1) Front / Rear Axle - Inspect both front and rear axle to ensure they are not bent and the wheels are properly attached

Inspected By:	Corrective Action Needed?		Maintenance Performed:
	Yes <input type="radio"/>	No <input type="radio"/>	

(2) Axle Lock - Inspect the axle lock for damage, proper alignment, and grease

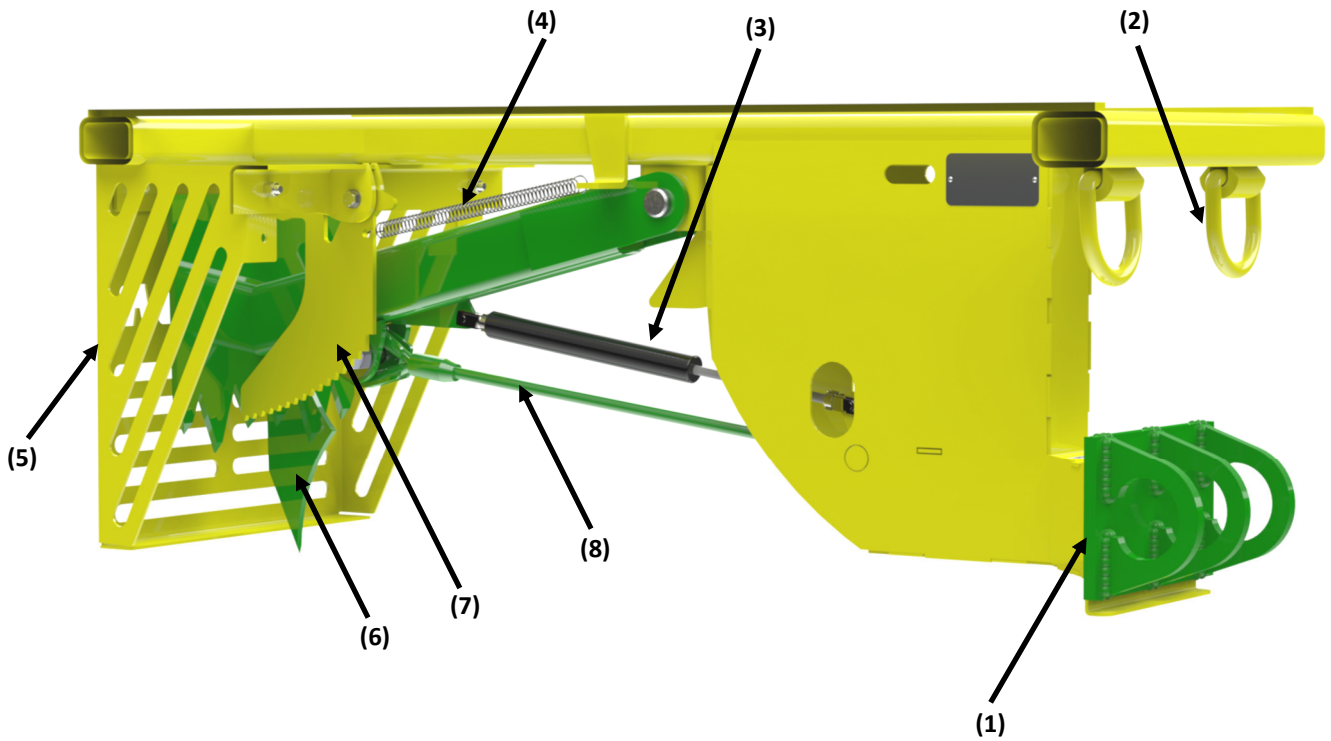
Inspected By:	Corrective Action Needed?		Maintenance Performed:
	Yes <input type="radio"/>	No <input type="radio"/>	

(3) Handle and Brake Engagement System - Inspect the handle and brake engagement system for damage and proper alignment

Inspected By:	Corrective Action Needed?		Maintenance Performed:
	Yes <input type="radio"/>	No <input type="radio"/>	

(4) Wheel Lock - Check to ensure that the wheel lock bar fully seats against the wheel when the brake engagement system is engaged

Inspected By:	Corrective Action Needed?		Maintenance Performed:
	Yes <input type="radio"/>	No <input type="radio"/>	



SAFETY ENGAGEMENT ASSEMBLY:

(1) Attachment Point Tie-Off Rings - Inspect for distortion or damage and ensure the attachment plate is full seated against the guide box

		Corrective Action Needed?	Maintenance Performed:	
Inspected By:	Yes <input type="radio"/>	No <input type="radio"/>		

(2) Fall Restraint Tie-Off Rings - Inspect for distortion or damage

		Corrective Action Needed?	Maintenance Performed:	
Inspected By:	Yes <input type="radio"/>	No <input type="radio"/>		

(3) Gas Shock - Inspect gas shock for damage and ensure that it is holding the claw in full upright position

		Corrective Action Needed?	Maintenance Performed:	
Inspected By:	Yes <input type="radio"/>	No <input type="radio"/>		

(4) Claw Lock Spring - Inspect for rust and damage, ensure the claw lock is being held securely against the stop

		Corrective Action Needed?	Maintenance Performed:	
Inspected By:	Yes <input type="radio"/>	No <input type="radio"/>		

SAFETY ENGAGEMENT ASSEMBLY: continued

(5) Claw Guard - Inspect for Loose, bent or damaged parts, ensure it is not obstructing the movement of the claw

		Corrective Action Needed?		Maintenance Performed:
Inspected By:	Yes	<input type="radio"/>	No	<input type="radio"/>

(6) Engagement Arm (Claw) - Inspect for bent or damages, including the talon and rake tips. Ensure the engagement arm has full freedom of movement

		Corrective Action Needed?		Maintenance Performed:
Inspected By:	Yes	<input type="radio"/>	No	<input type="radio"/>

(7) Claw Lock - Inspect for rust and damage, ensure the claw lock is being held securely against the stop

		Corrective Action Needed?		Maintenance Performed:
Inspected By:	Yes	<input type="radio"/>	No	<input type="radio"/>

(8) Claw Engagement Cable - Inspect for rust damage or frays, Do Not use cable if cable ends / connections have been damaged

		Corrective Action Needed?		Maintenance Performed:
Inspected By:	Yes	<input type="radio"/>	No	<input type="radio"/>

DO NOT USE DAMAGED EQUIPMENT OR EQUIPMENT THAT HAS BEEN MODIFIED.

For proper set-up and use instructions please refer to the instruction manual specific to your make and model of Mobile Fall Protection cart.

For Technical Support contact 888-990-2990 / TechnicalSupport@leadingedgesafety.net

Copyright © 2024 by Leading Edge Safety, LLC
PRINTED IN THE UNITED STATES OF AMERICA