



## TECHNICAL BULLETIN

### TriRex™ Mobile Fall Protection Approved Surfaces

*THE TRIREX™ HAS BEEN TESTED AND APPROVED FOR THE FOLLOWING SUBSTRATES:*

---

BUILT-UP ROOFING (BUR) <sup>4</sup>	MODIFIED BITUMEN <sup>4</sup>
THERMOPLASTIC POLYOLEFIN (TPO) <sup>4</sup>	ETHYLENE PROPYLENE DIENE MONOMER (EPDM) <sup>4</sup>
POLYVINYL CHLORIDE (PVC) <sup>4</sup>	BALLASTED SINGLE-PLY MEMBRANES <sup>4</sup>
BUILT-UP ROOFING (BUR) AND GRAVEL <sup>4</sup>	INVERTED ROOF MEMBRANE ASSEMBLY (IRMA) <sup>4</sup>
ROOF COATINGS <sup>4</sup>	

---

PLYWOOD	HIGH DENSITY FIBERBOARD <sup>3,6</sup>
DENSDECK® <sup>3,6</sup>	GYPSUM BOARD <sup>3,6</sup>
POLYISOCYANURATE (ISO) <sup>3,6</sup>	EXPANDED POLYSTYRENE (EPS) <sup>3,6</sup>
EXTRUDED POLYSTYRENE (XPS) <sup>3,6</sup>	SPRAY-APPLIED POLYURETHANE <sup>3,6</sup>
INSULATING LIGHTWEIGHT CONCRETE	

---

METAL DECK (22GA AND 20GA)	METAL DECK (18GA <sup>1,2,6,8</sup> )
STRUCTURAL LIGHTWEIGHT CONCRETE <sup>1,2,8</sup>	CONCRETE DECK <sup>1,2,8</sup> (4000-6000PSI)
TOPSOIL—COMPACTED	GYPSUM DECK
ASPHALT PAVEMENT	GRAVEL—COMPACTED
PANELIZED SLAB FORMWORK <sup>7,8</sup>	

---

FLAT SURFACES AND UP TO 2:12 SLOPE.

---

#### **DO NOT USE THE TRIREX™ ON THE FOLLOWING SUBSTRATES:**

- ICE
- SNOW
- TECTUM DECK<sup>5</sup>
- METAL DECKS LESS THAN 22GA<sup>5</sup> OR GREATER THAN 18GA<sup>5,6</sup>

- 1 REDUCE MAXIMUM NUMBER OF USERS IN FALL ARREST TO 2 (TWO).
- 2 REDUCTION IN NUMBER OF USERS IN FALL ARREST DOES NOT APPLY IF AN APPROVED INSULATION(S) THICKNESS IS 3.875" OR GREATER. FIG 1-1
- 3 WHEN MECHANICALLY FASTENED OR ADHERED TO AN APPROVED SUBSTRATE.
- 4 WHEN USED AS PART OF A COMPLETE ROOF ASSEMBLY.
- 5 SUBSTRATE IS ALLOWABLE WHEN COVERED WITH 3/4" PLYWOOD SECURED WITH A MINIMUM OF EIGHT (8) FASTENERS. FIG 1-2
- 6 SUBSTRATE IS ALLOWABLE WHEN TOTAL INSULATION THICKNESS IS GREATER THAN 3.875" OR USED WITH AN APPROVED METAL DECK. FIG 1-2
- 7 FALL RESTRAINT ONLY—MAXIMUM 2 USERS
- 8 UTILIZE ATTACHMENT POINT RESTRICTOR PLATES TO ELIMINATE OR LIMIT THE NUMBER OF USERS IN FALL ARREST

DensDeck® is a registered trademark of Georgia-Pacific Gypsum, LLC.

TriRex™ Mobile Fall Protection Approved Surfaces (cont.)

FIG. 1-1

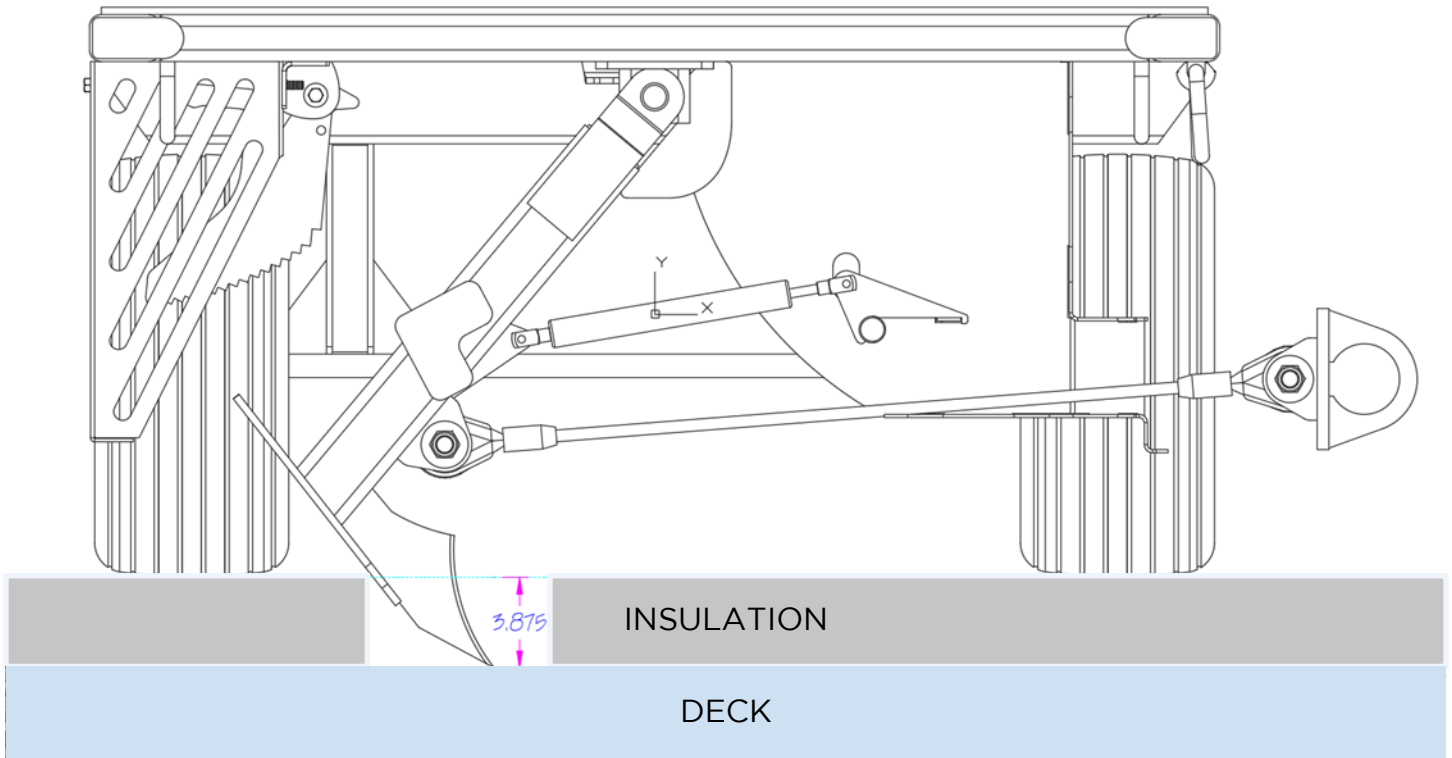


FIG. 1-2

