



TECHNICAL BULLETIN

R2000™ Mobile Fall Protection Approved Surfaces

THE R2000™ HAS BEEN TESTED AND APPROVED FOR THE FOLLOWING SUBSTRATES:

BUILT-UP ROOFING (BUR) ²	MODIFIED BITUMEN ²
THERMOPLASTIC POLYOLEFIN (TPO) ²	ETHYLENE PROPYLENE DIENE MONOMER (EPDM) ²
POLYVINYL CHLORIDE (PVC) ²	BALLASTED SINGLE-PLY MEMBRANES ²
BUILT-UP ROOFING (BUR) AND GRAVEL ²	INVERTED ROOF MEMBRANE ASSEMBLY (IRMA) ²
ROOF COATINGS ²	

PLYWOOD	HIGH DENSITY FIBERBOARD ^{1,4}
DENSDECK® ^{1,4}	GYPSUM BOARD ^{1,4}
POLYISOCYANURATE (ISO) ^{1,4}	EXPANDED POLYSTYRENE (EPS) ^{1,4}
EXTRUDED POLYSTYRENE (XPS) ^{1,4}	SPRAY-APPLIED POLYURETHANE ^{1,4}
INSULATING LIGHTWEIGHT CONCRETE	

METAL DECK (22GA AND 20GA)	METAL DECK (18GA ⁴)
STRUCTURAL LIGHTWEIGHT CONCRETE	CONCRETE DECK (4000-6000PSI)
TOPSOIL—COMPACTED	GYPSUM DECK
ASPHALT PAVEMENT	GRAVEL—COMPACTED
PANELIZED SLAB FORMWORK ^{5,6}	

FLAT SURFACES AND UP TO 2:12 SLOPE.

DO NOT USE THE R2000™ ON THE FOLLOWING SUBSTRATES:

- ICE
- SNOW
- TECTUM DECK³
- METAL DECKS LESS THAN 22GA³ OR GREATER THAN 20GA³

- 1 WHEN MECHANICALLY FASTENED OR ADHERED TO AN APPROVED SUBSTRATE.
- 2 WHEN USED AS PART OF A COMPLETE ROOF ASSEMBLY.
- 3 SUBSTRATE IS ALLOWABLE WHEN COVERED WITH 3/4" PLYWOOD SECURED WITH A MINIMUM OF EIGHT (8) FASTENERS. FIG 1-2
- 4 WHEN TOTAL INSULATION THICKNESS IS GREATER THAN 3.875" OR USED WITH AN APPROVED METAL DECK. FIG 1-1
- 5 FALL RESTRAINT ONLY- MAXIMUM 2 USERS
- 6 UTILIZE ATTACHMENT POINT RESTRICTOR PLATES TO ELIMINATE OR LIMIT THE NUMBER OF USERS IN FALL ARREST

DensDeck® is a registered trademark of Georgia-Pacific Gypsum, LLC.

R2000™ Mobile Fall Protection Approved Surfaces (cont.)

FIG. 1-1

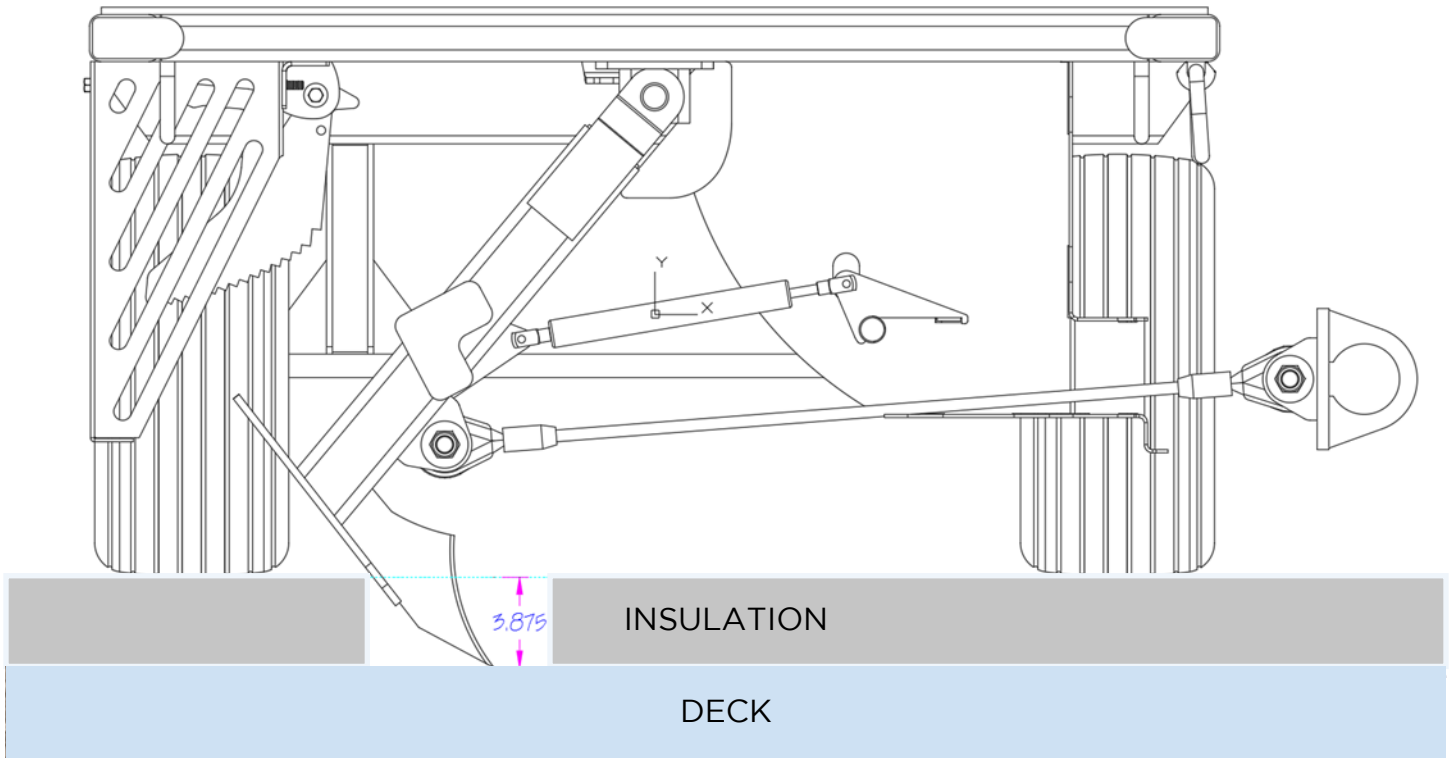


FIG. 1-2

