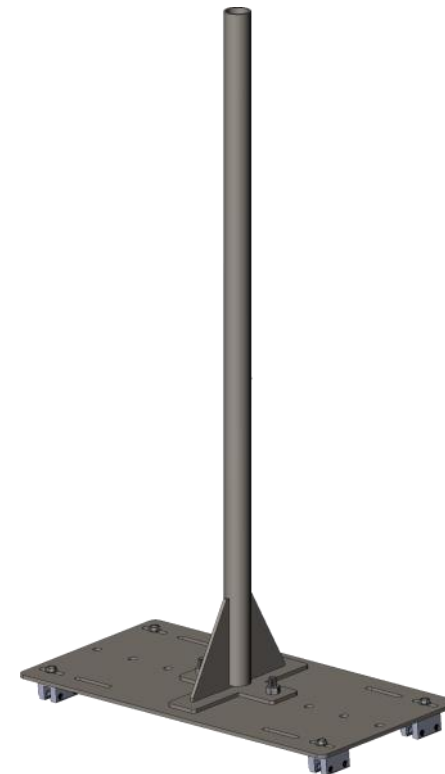
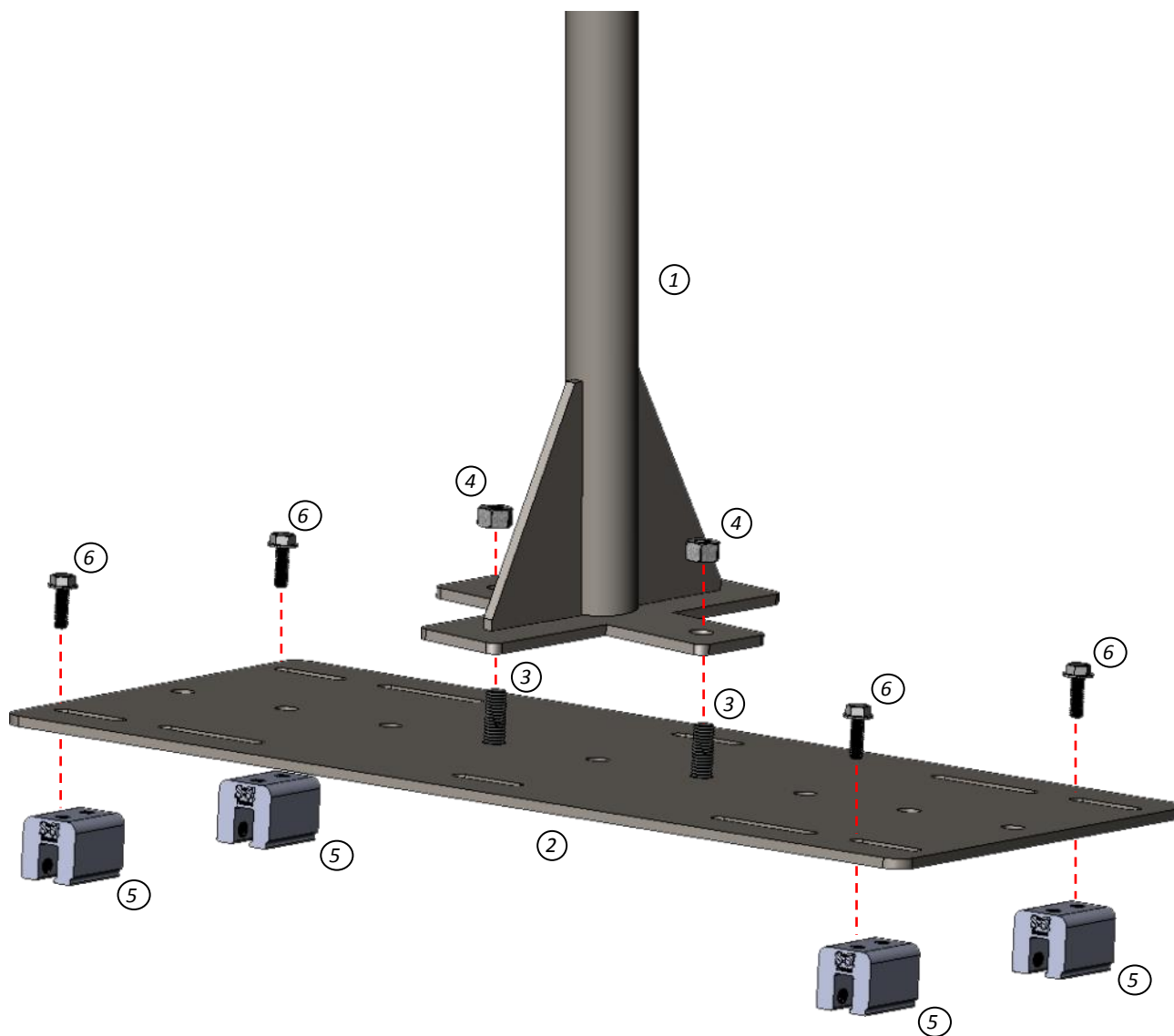


LEADING EDGE SAFETY

Standing Seam Guardrail Assembly

- ① Upright Assembly
- ② Base Plate
- ③ 1/2"-13 x 1" Hex Head Fastener
- ④ 1/2"-13 Hex Head Nylon-Insert Locknut
- ⑤ S-5 Clamp (Style may vary from image)
- ⑥ Hex Flange Bolt (Supplied with S-5 Clamps)



888-990-2990
www.leadingedgesafety.net