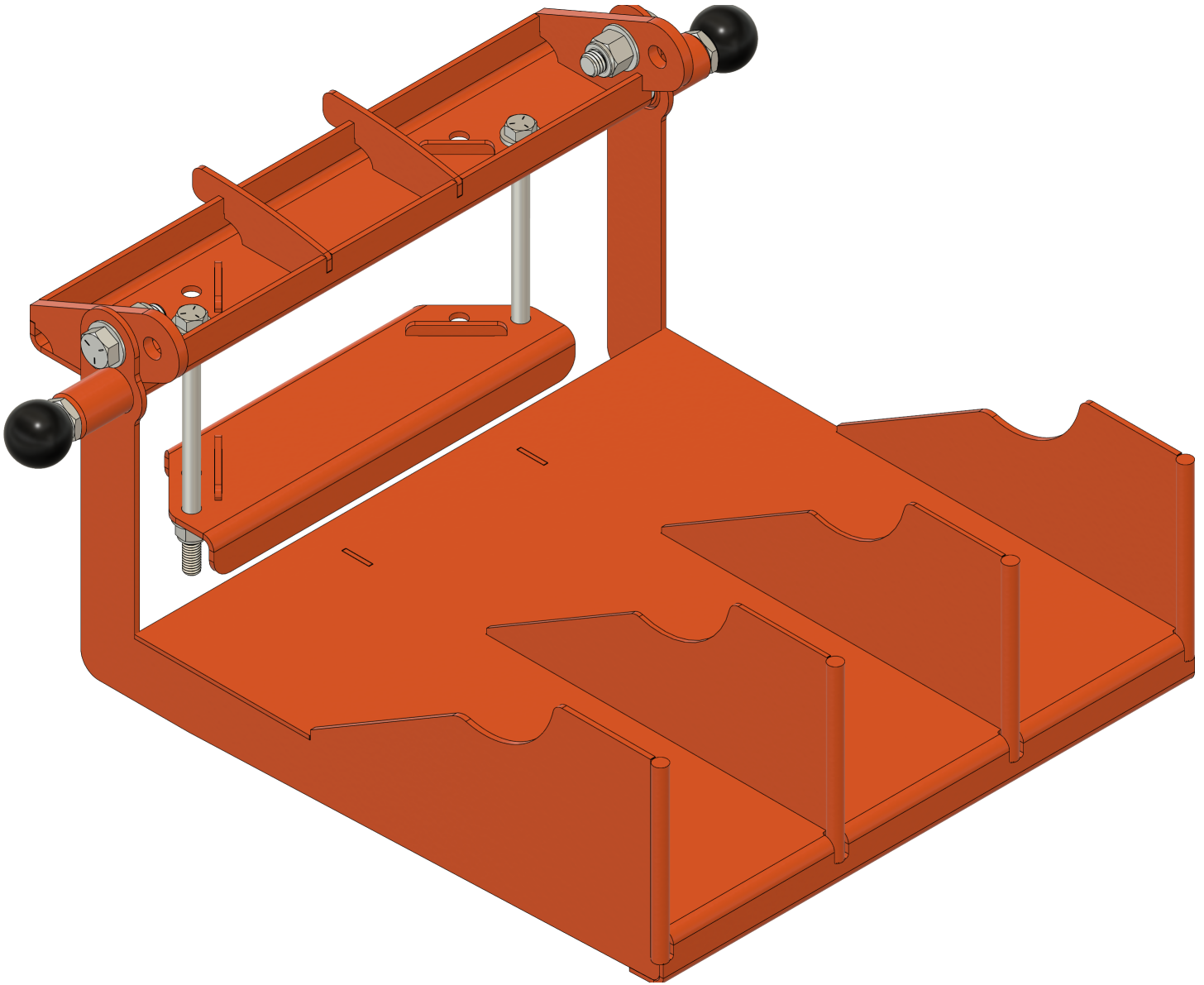


SRL TRAY

Mobile Fall Protection Accessory

Instruction Manual



WARNING

Serious injury or death may result if this product is used for purposes other than designed. The manufacturer provides the following instructions for the use and care of this equipment. It is the responsibility of the purchaser to understand and convey explicit instruction to each user.

LIT ID: SRL-IM-24.0223

WE TAKE THE FIRST STEP
SO YOU DON'T TAKE YOUR LAST



SRL TRAY INSTRUCTION MANUAL

LEADING EDGE SAFETY, LLC **SRL Tray Instruction Manual**

Published by Leading Edge Safety, LLC
North Kansas City, MO

Leading Edge Safety, LLC
1345 Taney St
North Kansas City, MO 64116
www.LeadingEdgeSafety.net

Copyright © 2024 by Leading Edge Safety, LLC
PRINTED IN THE UNITED STATES OF AMERICA

SRL TRAY INSTRUCTION MANUAL

TABLE OF CONTENTS

INTRODUCTION

Models_____	4
Parts List_____	5

GETTING STARTED

Definitions_____	6
Use & Limitations_____	6
Maintenance, Care & Storage_____	6
Installation_____	7
Transport_____	12

APPENDIX

Inspection & Maintenance Log_____	14
-----------------------------------	----

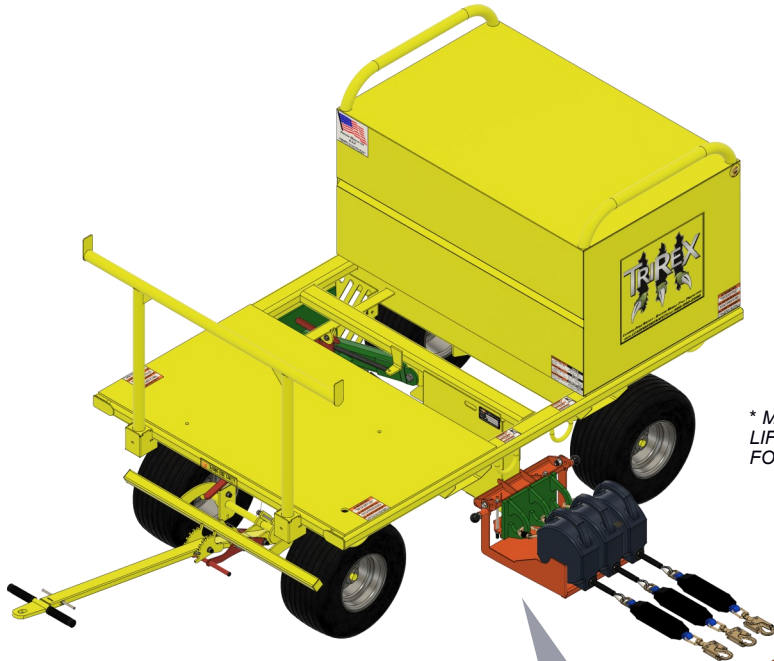
SRL TRAY INSTRUCTION MANUAL

SRL TRAY SRL-0000-24

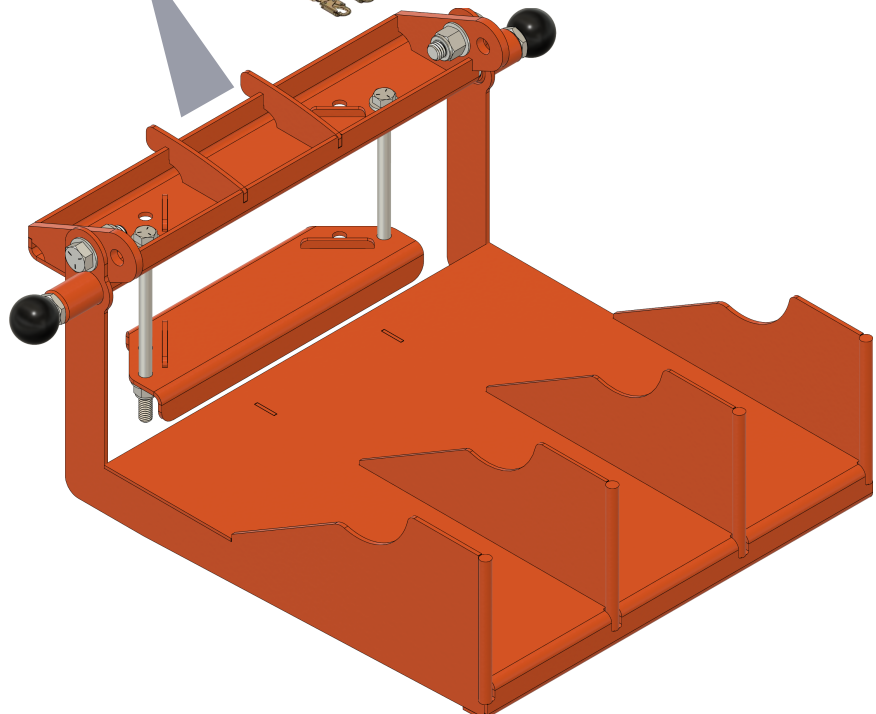
**MOBILE FALL PROTECTION
ACCESSORY**

MODEL# SRL-0000-24

- UP TO 3 SELF-RETRACTING LIFELINES
- COMPATIBLE WITH ALL TRIREX & R2000 MODELS



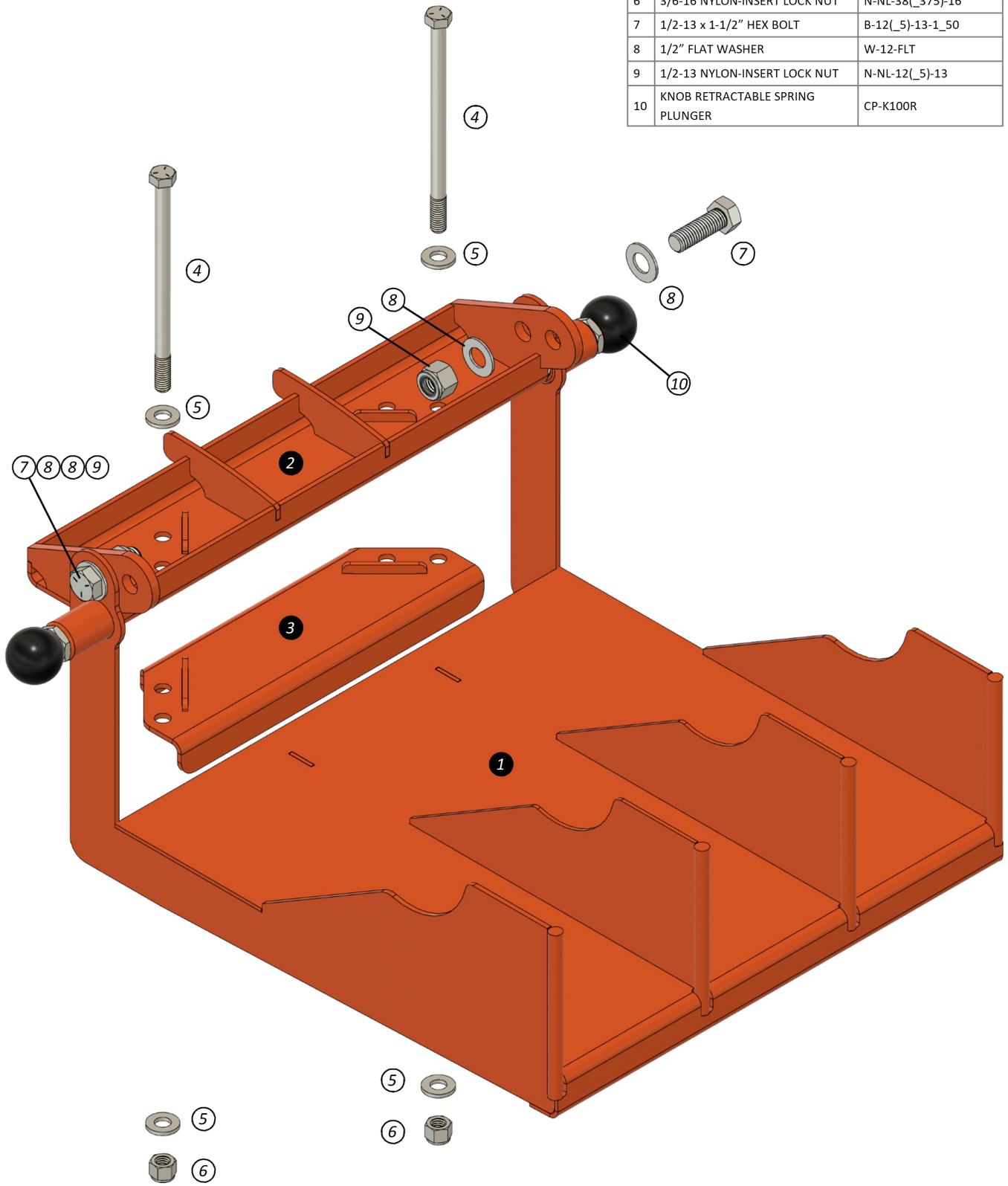
* MOBILE FALL PROTECTION CART AND SELF-RETRACTING LIFELINES SHOWN ARE NOT INCLUDED, BUT ARE AVAILABLE FOR PURCHASE SEPERATELY.



SRL TRAY INSTRUCTION MANUAL

E
N
G
L
I
S
H

1	TRAY ASSEMBLY	SRL-1000-24
2	UPPER BRACKET ASSEMBLY	SRL-2000-24
3	LOWER BRACKET ASSEMBLY	SRL-3000-24
4	3/8-16 X 6" HEX BOLT	B-38(_375)-16-6
5	3/8" FLAT WASHER	W-38
6	3/6-16 NYLON-INSERT LOCK NUT	N-NL-38(_375)-16
7	1/2-13 X 1-1/2" HEX BOLT	B-12(_5)-13-1_50
8	1/2" FLAT WASHER	W-12-FLT
9	1/2-13 NYLON-INSERT LOCK NUT	N-NL-12(_5)-13
10	KNOB RETRACTABLE SPRING PLUNGER	CP-K100R



SRL TRAY INSTRUCTION MANUAL

1.0 APPLICATIONS

- 1.1 The SRL Tray shall only be used with Leading Edge Safety & AES Raptor Mobile Fall Protection Carts.
- 1.2 The SRL Tray allows for up to three Self-Retracting Lifelines (SRLs) to be placed in the tray to minimize entanglement of lifelines and maintain SRLs in the upright position.

2.0 DEFINITIONS

- 2.1 **Self-Retracting Lifeline/Lanyard (SRL)** - a deceleration device containing a drum-wound line which can be slowly extracted from, or retracted onto, the drum under slight tension during normal employee movement, and which, after onset of a fall, automatically locks the drum and arrests the fall.
- 2.2 **Carabiner** - a connector generally comprised of a trapezoidal or oval shaped body with a closed gate or similar arrangement that may be opened to attach another object and, when released, automatically closes to retain the object.

3.0 USE AND LIMITATIONS

- 3.1 Ensure the SRL Tray is locked in it's horizontal position before placing SRLs in the tray.
- 3.2 SRLs shall be removed from the tray prior to lifting, hoisting, or transport.
- 3.3 Ensure the SRL Tray is locked in it's vertical position prior to lifting, hoisting, or transport.
- 3.4 Do not use if the SRL Tray cannot be locked in the horizontal or vertical position utilizing the Knob Retractable Spring Plungers.
- 3.5 Do not use if the SRL Tray has been damaged as the result of a fall or mishandling.
- 3.6 SRLs shall properly secured to the Fall Arrest Attachment Points.
- 3.7 SRLs and their components shall be in compliance with current ANSI Z359 requirements.
- 3.8 The number of SRLs placed in the SRL Tray shall never exceed the number of Fall Arrest Attachment Points of the Mobile Fall Protection Cart the SRL Tray is installed on.
- 3.9 The number of SRLs placed in the SRL Tray shall never exceed the maximum number of users allowed in Fall Arrest based on the substrate the Mobile Fall Protection Cart is being used upon. *(Refer to the applicable instruction manual for your Mobile Fall Protection Cart; Use & Limitations - Approved Substrates for limitations.)*

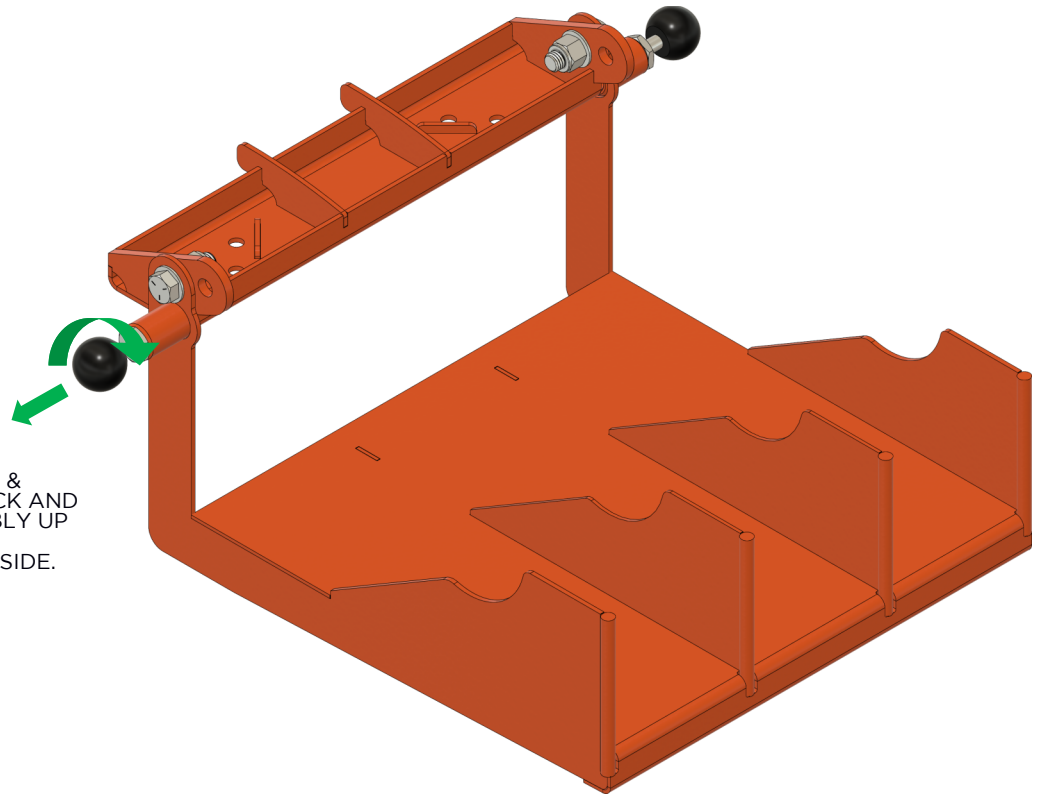
4.0 MAINTENANCE AND CARE

- 4.1 If the SRL Tray is damaged, replacement parts may be available for purchase. Refer to the SRL Tray parts diagram on page 4 for replacement part numbers.
- 4.2 Inspect all bolts, pins, springs, welds and paint for visible damage. .
- 4.3 Maintain the paint finish to prevent corrosion. Use rust inhibitive paint compatible with the powder coat finish.
- 4.4 Store the SRL Tray in a place protected from the weather.

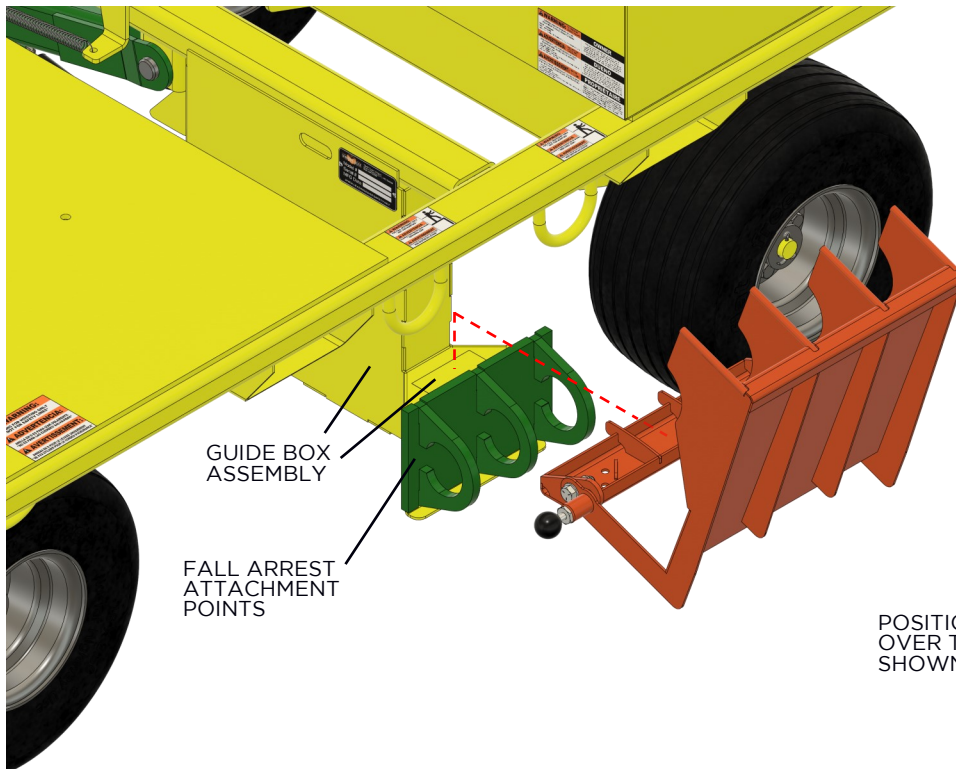
SRL TRAY INSTRUCTION MANUAL

E
N
G
L
I
S
H

INSTALLATION



PULL KNOB OUTWARD & ROTATE 90° TO UNLOCK AND ROTATE TRAY ASSEMBLY UP FOR INSTALLATION. REPEAT ON OPPOSITE SIDE.



POSITION SRL TRAY ASSEMBLY OVER THE GUIDE BOX AS SHOWN

SRL TRAY INSTRUCTION MANUAL

INSTALLATION - CONT.



PLACE ON TOP OF THE GUIDE BOX OPENING WITH ORANGE TABS OF THE UPPER BRACKET ON EACH SIDE OF THE GUIDE BOX AS SHOWN.

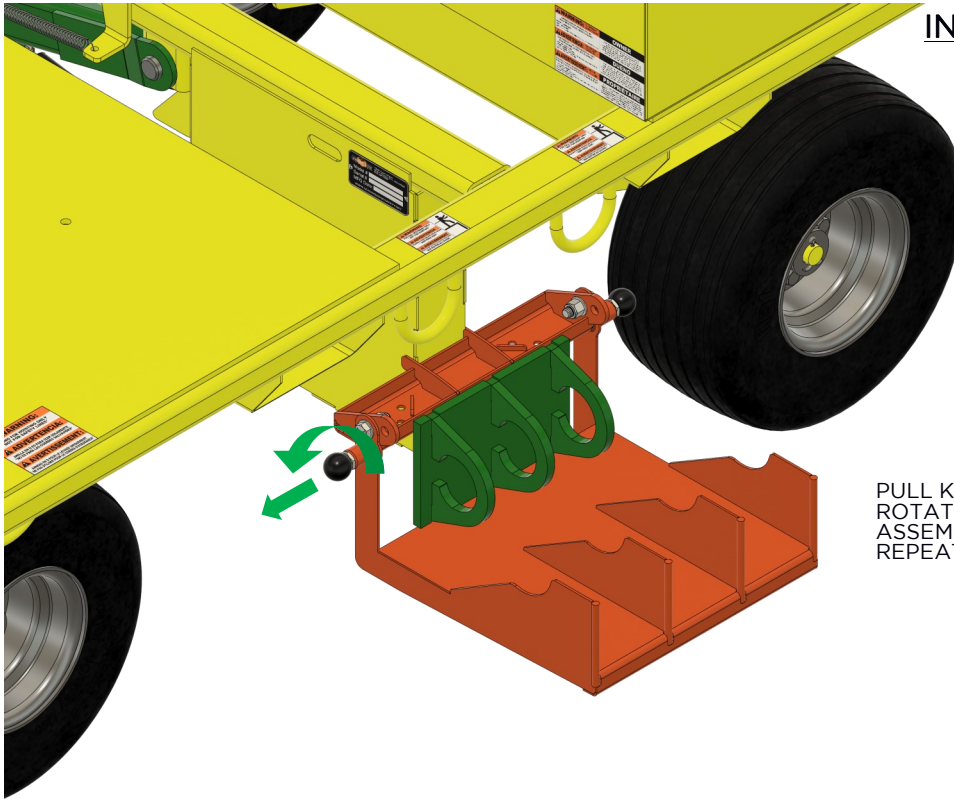


LOWER THE TRAY TO THE OPEN POSITION AS SHOW

SRL TRAY INSTRUCTION MANUAL

E
N
G
L
I
S
H

INSTALLATION - CONT.



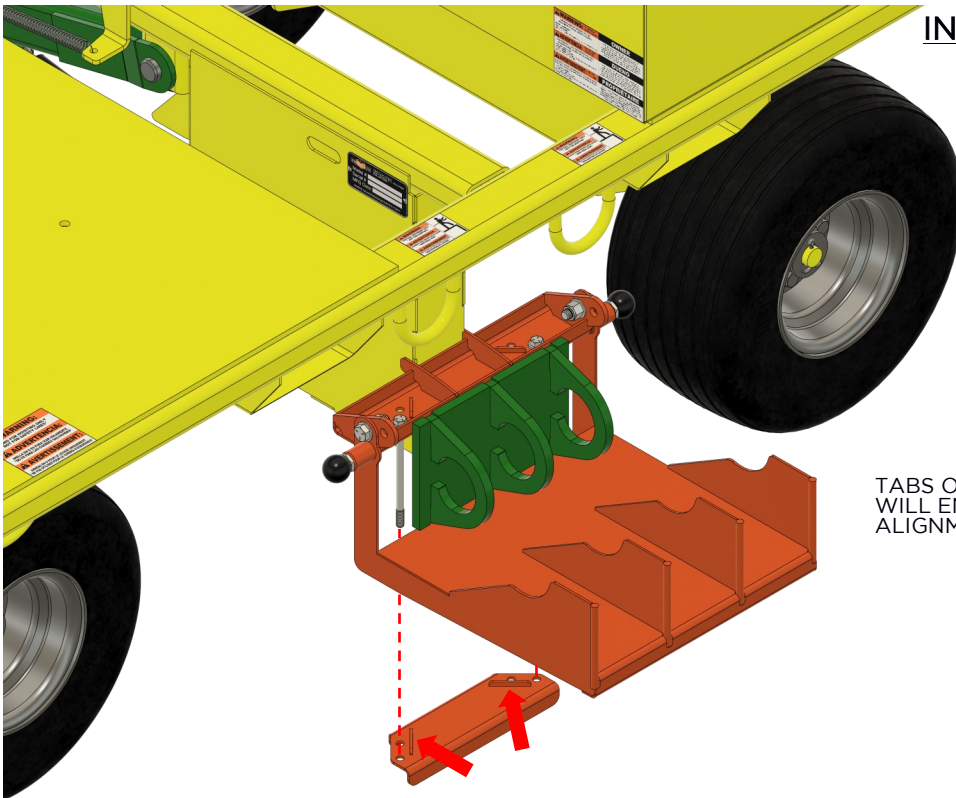
PULL KNOB OUTWARD & ROTATE 90° TO LOCK TRAY ASSEMBLY AS SHOWN. REPEAT ON OPPOSITE SIDE.



PLACE (1) 3/8-16 X 6" BOLT & (1) 3/8" WASHER ON EACH SIDE THROUGH TOP BRACKET AS SHOWN.

SRL TRAY INSTRUCTION MANUAL

INSTALLATION - CONT.



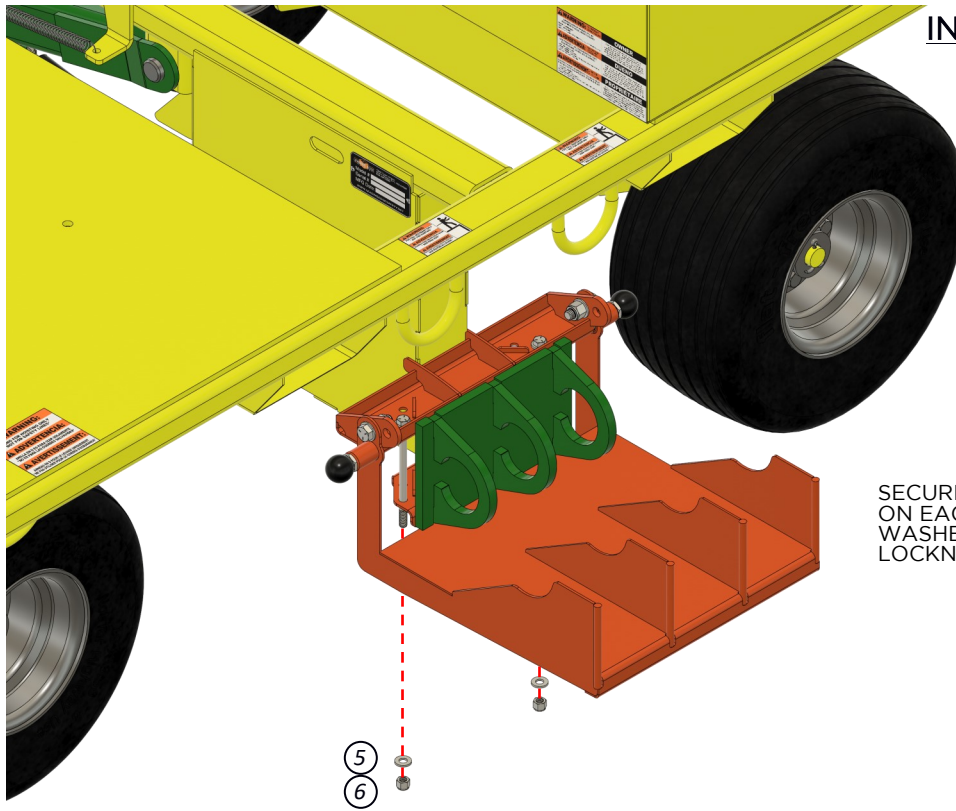
TABS ON THE LOWER BRACKET
WILL ENSURE PROPER
ALIGNMENT.



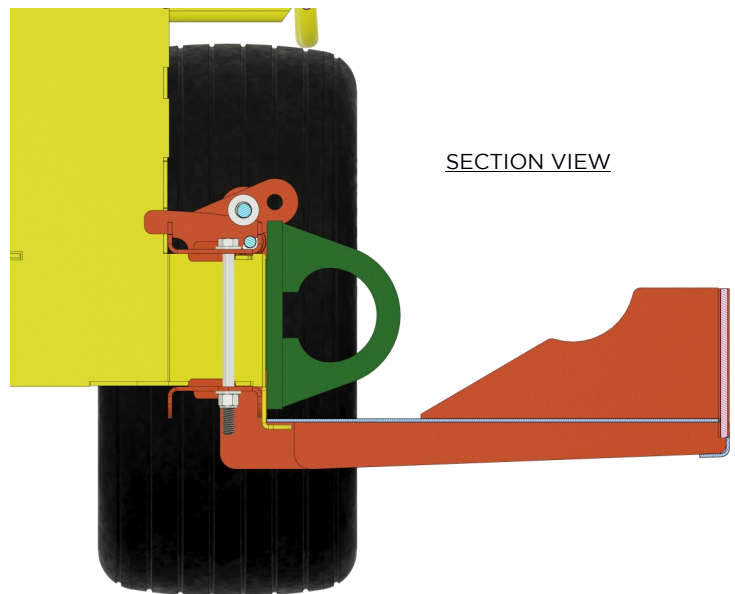
POSITION THE LOWER BRACKET
TO THE BOTTOM OF THE GUIDE
BOX AS SHOWN.

SRL TRAY INSTRUCTION MANUAL

E
N
G
L
I
S
H

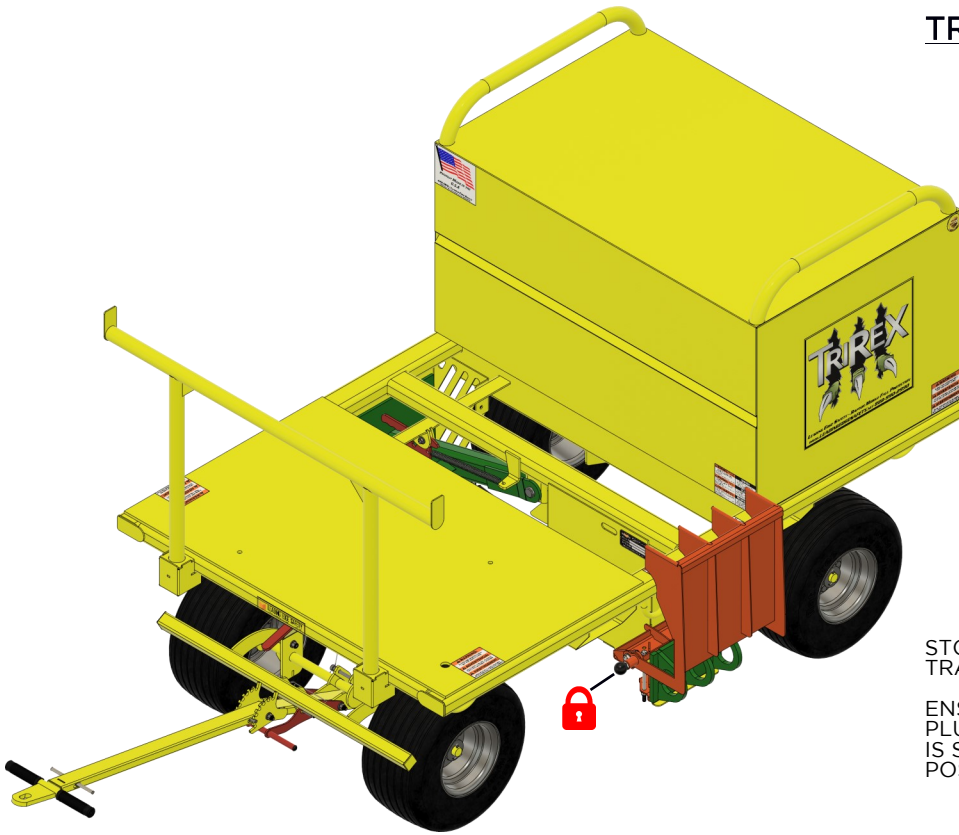


COMPLETED INSTALLATION.



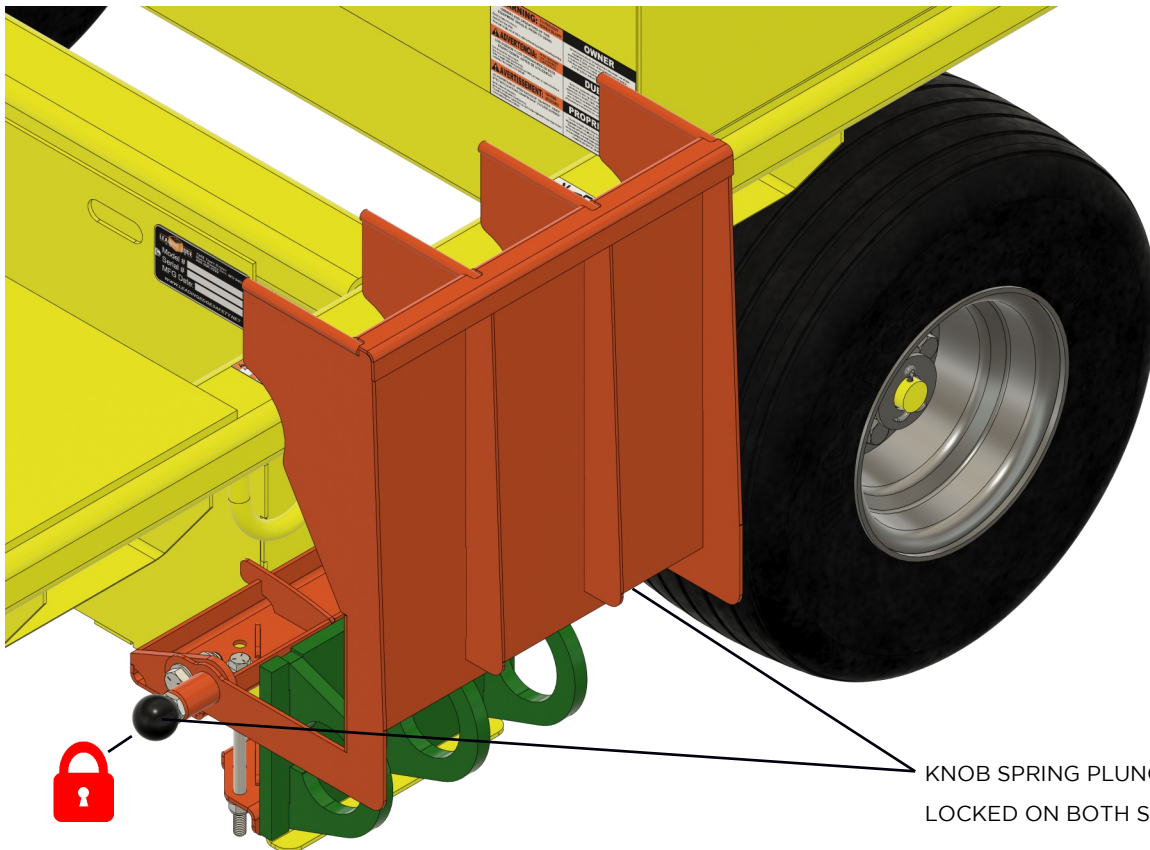
SRL TRAY INSTRUCTION MANUAL

TRANSPORT



STORED POSITION FOR
TRANSPORT & LIFTING.

ENSURE KNOB SPRING
PLUNGERS ARE LOCKED & TRAY
IS SECURED IN VERTICAL
POSITION.

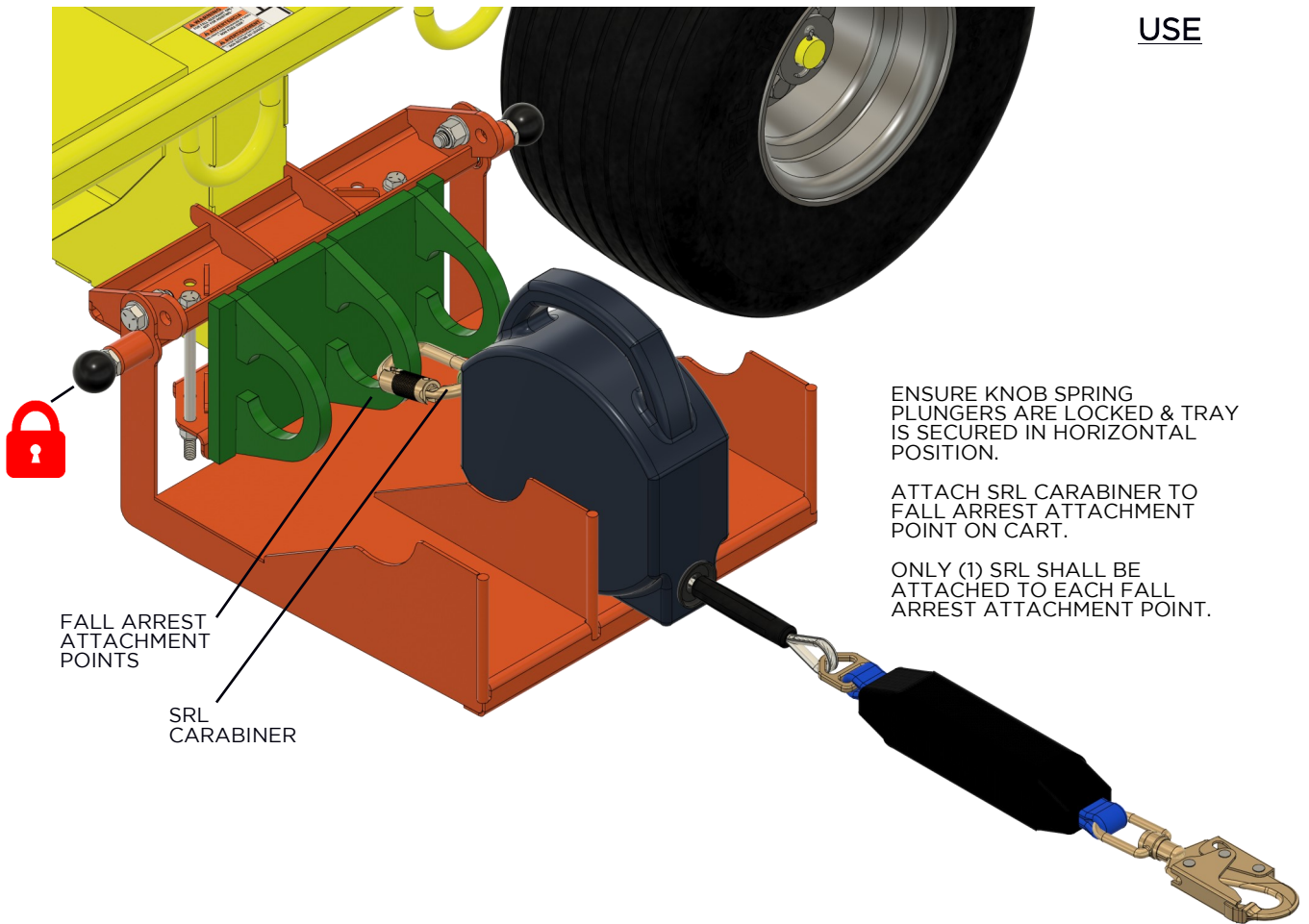


KNOB SPRING
PLUNGERS
LOCKED ON BOTH SIDES.

SRL TRAY INSTRUCTION MANUAL

ENGLISH

USE



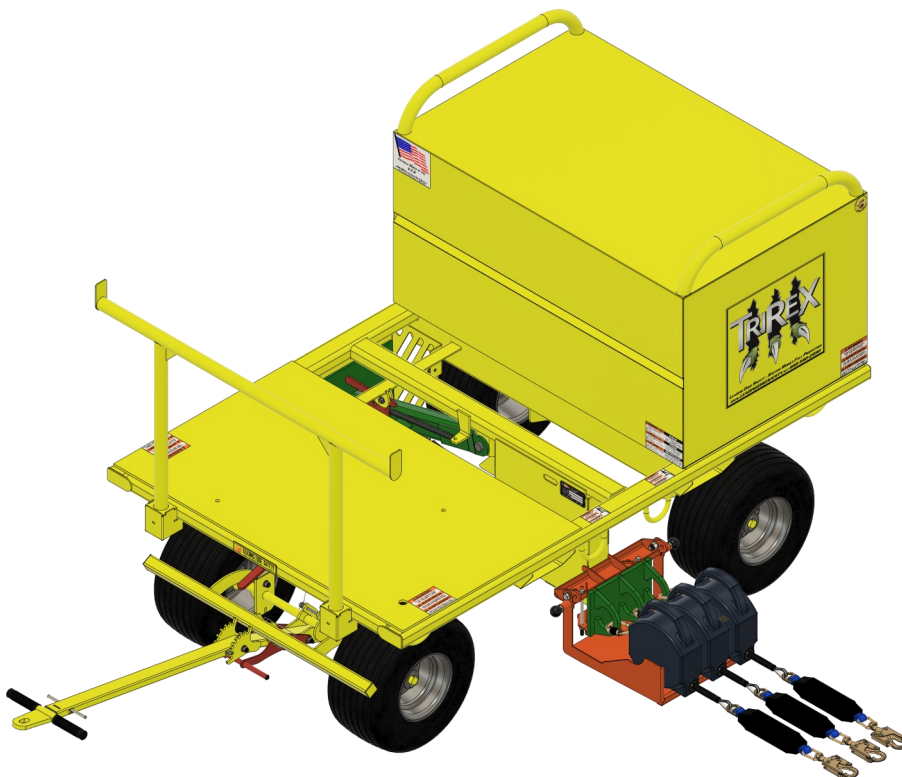
ENSURE KNOB SPRING PLUNGERS ARE LOCKED & TRAY IS SECURED IN HORIZONTAL POSITION.

ATTACH SRL CARABINER TO FALL ARREST ATTACHMENT POINT ON CART.

ONLY (1) SRL SHALL BE ATTACHED TO EACH FALL ARREST ATTACHMENT POINT.

FALL ARREST ATTACHMENT POINTS

SRL CARABINER



THE NUMBER OF ALLOWABLE SRLs THAT MAY BE USED WITH THE SRL TRAY IS LIMITED BY THE NUMBER OF FALL ARREST ATTACHMENT POINTS OF THE LEADING EDGE MOBILE FALL PROTECTION CART.

TRIREX MODELS ALLOW UP TO 3 SRLs FOR FALL ARREST.

R2000 MODELS ALLOW UP TO 2 SRLs FOR FALL ARREST.

SRL TRAY INSTRUCTION MANUAL

E
N
G
L
I
S
H

SRL TRAY INSPECTION AND MAINTENANCE LOG

PLEASE COPY THIS LOG, FILL IT OUT BEFORE EACH USE, AND KEEP IT IN YOUR RECORDS.

EQUIPMENT MODEL #: _____

EQUIPMENT SERIAL #: _____

DATE OF PURCHASE: _____

INSPECTION DATE: _____

Inspection Item	Corrective Action Needed?		Maintenance Performed
Overall Tray Parts	Yes	No	_____
Inspected By: _____			_____
Welded Connections	Yes	No	_____
Inspected By: _____			_____
Knob Retractable Spring Pins Open/Close/Rotate	Yes	No	_____
Inspected By: _____			_____
Tray Locks in Vertical & Horizontal Position	Yes	No	_____
Inspected By: _____			_____
Overall Tray Corrosion	Yes	No	_____
Inspected By: _____			_____
	Yes	No	_____
Inspected By: _____			_____
	Yes	No	_____
Inspected By: _____			_____



Copyright © 2024 by Leading Edge Safety, LLC
1345 Taney, North Kansas City, MO 64116
www.LeadingEdgeSafety.net

PRINTED IN THE UNITED STATES OF AMERICA