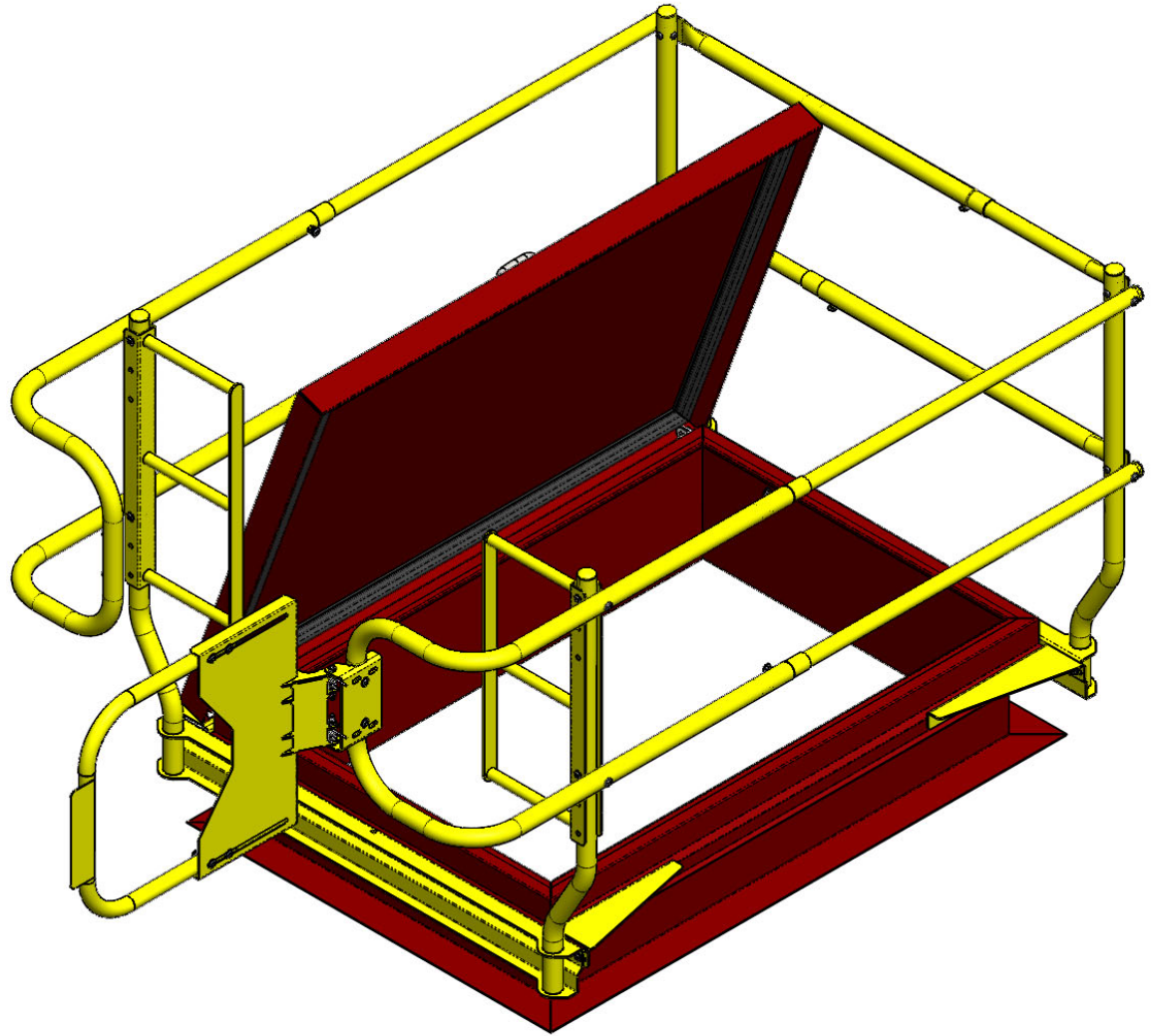
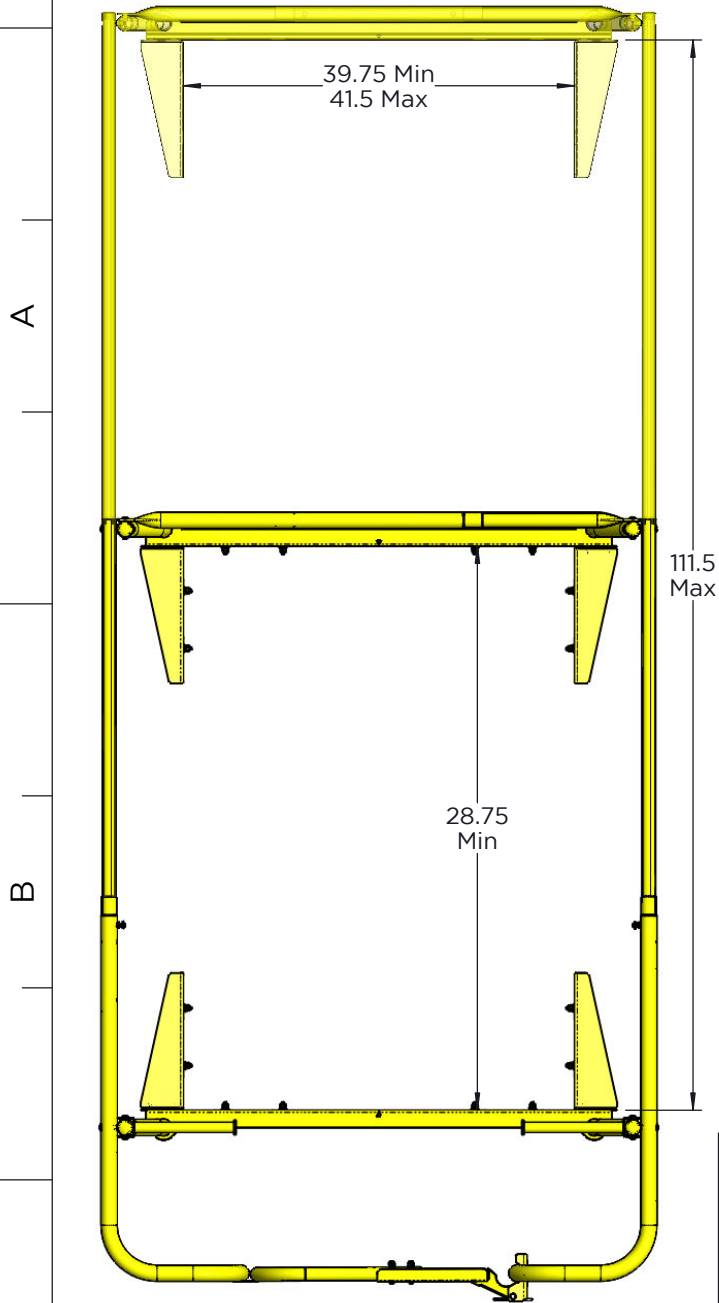


NOTES:

All Measurements in Inches
Approx. Unit Weight: 160.-170. lbs.

Parts:	Qty:
--------	------



1345 TANEY STREET
NORTH KANSAS CITY, MO 64116
(T) 888-990-2990
(P) 816-471-1349
SALES@LEADINGEDGESAFETY.NET
Information in this drawing is for reference only.

Scale: Varies (8.5x11)

Dwg: PRS-RH-36X54(96)-15

Roof Hatch Rail System Assembly
36" x 54"-96" Common Sized Unit