

# R-2000 MOBILE FALL CART INSPECTION AND MAINTENANCE LOG

**PLEASE COPY THIS LOG. FILL IT OUT BEFORE EACH USE. AND KEEP IT IN YOUR RECORDS.**

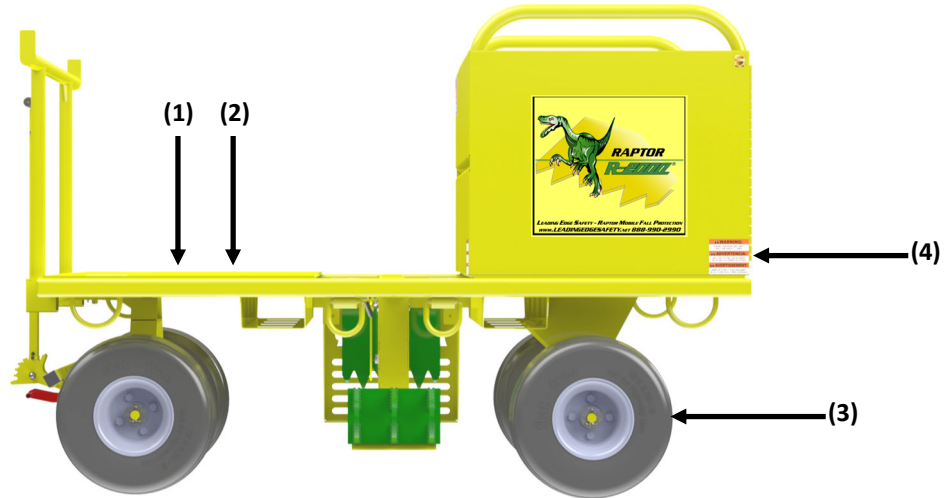
EQUIPMENT MODEL #: R-2000-\_\_\_\_\_

JOB NAME: \_\_\_\_\_

EQUIPMENT SERIAL #: \_\_\_\_\_

\_\_\_\_\_

INSPECTION DATE: \_\_\_\_\_



## GENERAL INSPECTION ITEMS:



**(1) General Cart / Frame Damage** - Inspect for Loose, bent or damaged parts

	Corrective Action Needed?	Maintenance Performed:
Inspected By:	Yes <input type="radio"/> No <input type="radio"/>	_____
_____		

**(2) General Cart / Frame Welded Connections** - Inspect welded connections for visible distortion, cracks or other damage

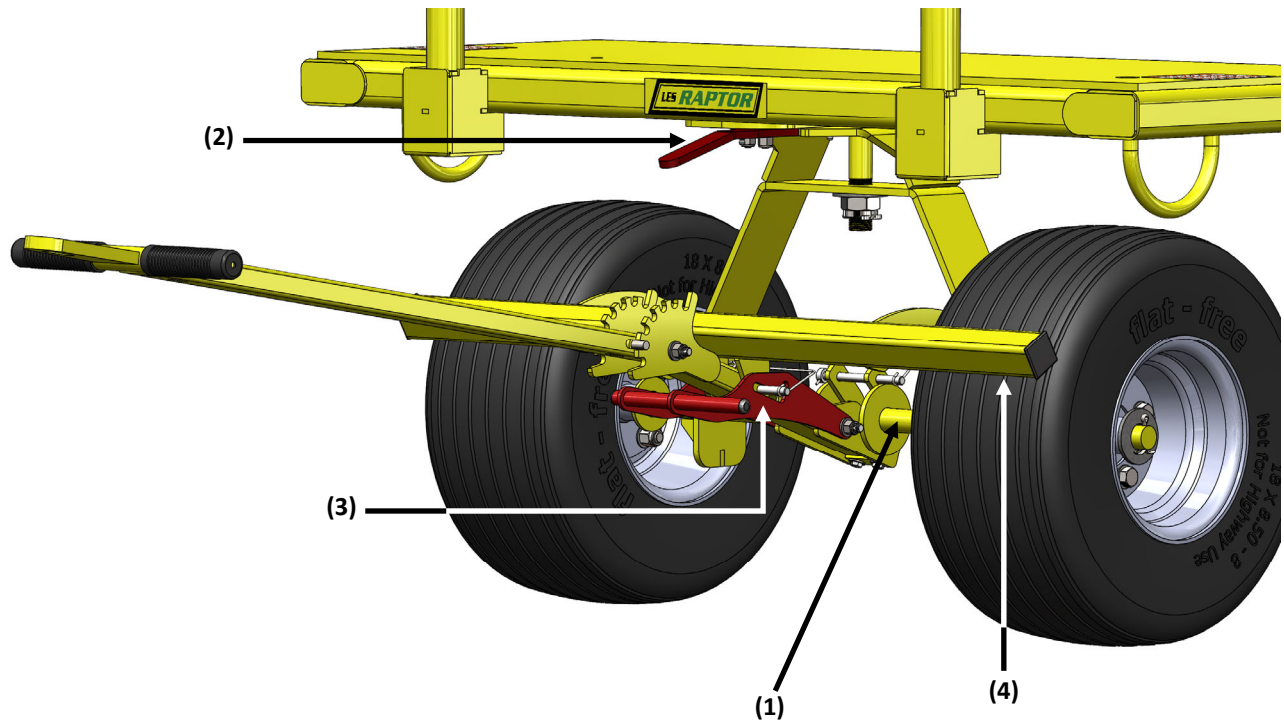
	Corrective Action Needed?	Maintenance Performed:
Inspected By:	Yes <input type="radio"/> No <input type="radio"/>	_____
_____		

**(3) Wheels and Tires** - Inspect wheels and tires for damage, flat spots or excessive build up

	Corrective Action Needed?	Maintenance Performed:
Inspected By:	Yes <input type="radio"/> No <input type="radio"/>	_____
_____		

**(4) Safety Labels** - Inspect that all of the Safety Labels are present and legible (The user manual has a complete listing of labels and locations)

	Corrective Action Needed?	Maintenance Performed:
Inspected By:	Yes <input type="radio"/> No <input type="radio"/>	_____
_____		



**FRONT AXLE, HANDLE AND BRAKING SYSTEM:**

**(1) Front / Rear Axle** - Inspect both front and rear axle to ensure they are not bent and the wheels are properly attached

Inspected By:	<b>Corrective Action Needed?</b>		Maintenance Performed:
	Yes <input type="radio"/>	No <input type="radio"/>	

**(2) Axle Lock** - Inspect the axle lock for damage, proper alignment, and grease

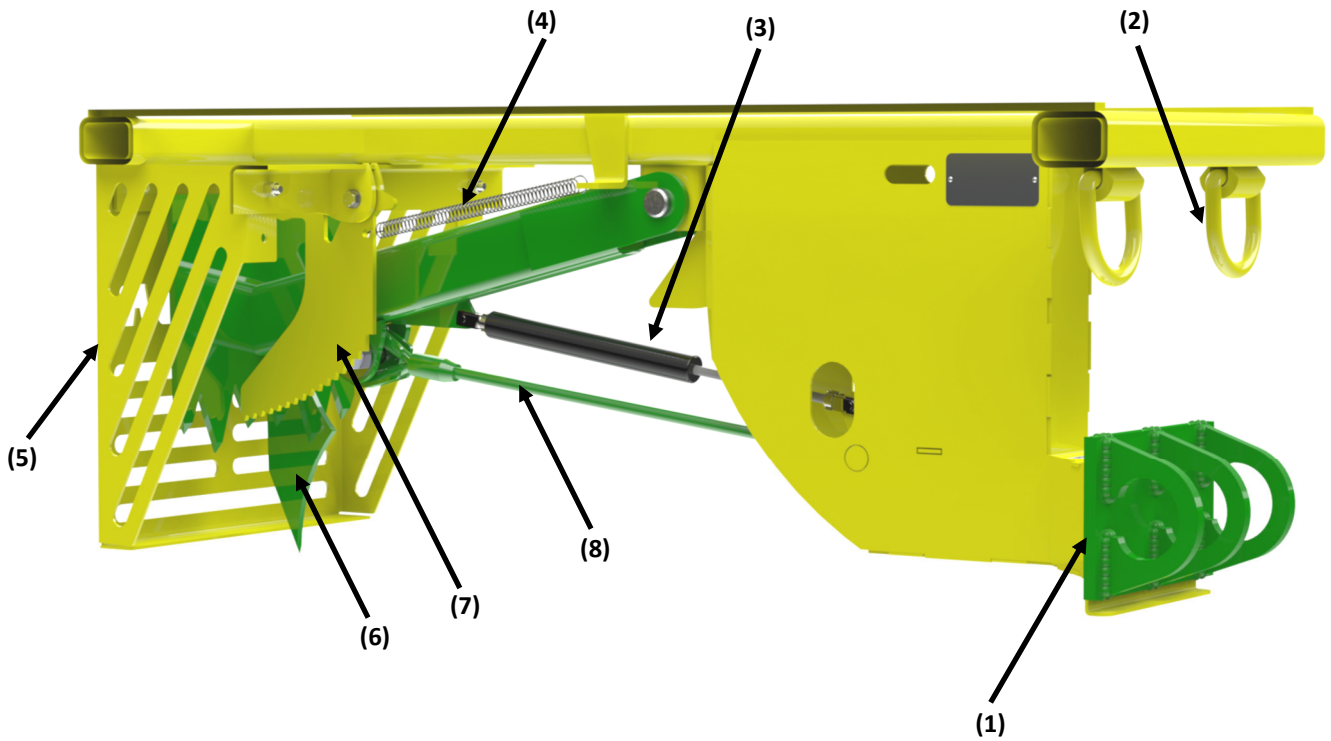
Inspected By:	<b>Corrective Action Needed?</b>		Maintenance Performed:
	Yes <input type="radio"/>	No <input type="radio"/>	

**(3) Handle and Brake Engagement System** - Inspect the handle and brake engagement system for damage and proper alignment

Inspected By:	<b>Corrective Action Needed?</b>		Maintenance Performed:
	Yes <input type="radio"/>	No <input type="radio"/>	

**(4) Wheel Lock** - Check to ensure that the wheel lock bar fully seats against the wheel when the brake engagement system is engaged

Inspected By:	<b>Corrective Action Needed?</b>		Maintenance Performed:
	Yes <input type="radio"/>	No <input type="radio"/>	



**SAFETY ENGAGEMENT ASSEMBLY:**

**(1) Attachment Point Tie-Off Rings** - Inspect for distortion or damage and ensure the attachment plate is full seated against the guide box

Inspected By:	<b>Corrective Action Needed?</b>		Maintenance Performed:
	Yes <input type="radio"/>	No <input type="radio"/>	

**(2) Fall Restraint Tie-Off Rings** - Inspect for distortion or damage

Inspected By:	<b>Corrective Action Needed?</b>		Maintenance Performed:
	Yes <input type="radio"/>	No <input type="radio"/>	

**(3) Gas Shock** - Inspect gas shock for damage and ensure that it is holding the claw in full upright position

Inspected By:	<b>Corrective Action Needed?</b>		Maintenance Performed:
	Yes <input type="radio"/>	No <input type="radio"/>	

**(4) Claw Lock Spring** - Inspect for rust and damage, ensure the claw lock is being held securely against the stop

Inspected By:	<b>Corrective Action Needed?</b>		Maintenance Performed:
	Yes <input type="radio"/>	No <input type="radio"/>	

## SAFETY ENGAGEMENT ASSEMBLY: continued

**(5) Claw Guard** - Inspect for Loose, bent or damaged parts, ensure it is not obstructing the movement of the claw

		<b>Corrective Action Needed?</b>		<b>Maintenance Performed:</b>
Inspected By:	Yes	<input type="radio"/>	No	<input type="radio"/>

**(6) Engagement Arm (Claw)** - Inspect for bent or damages, including the talon and rake tips. Ensure the engagement arm has full freedom of movement

		<b>Corrective Action Needed?</b>		<b>Maintenance Performed:</b>
Inspected By:	Yes	<input type="radio"/>	No	<input type="radio"/>

**(7) Claw Lock** - Inspect for rust and damage, ensure the claw lock is being held securely against the stop

		<b>Corrective Action Needed?</b>		<b>Maintenance Performed:</b>
Inspected By:	Yes	<input type="radio"/>	No	<input type="radio"/>

**(8) Claw Engagement Cable** - Inspect for rust damage or frays, Do Not use cable if cable ends / connections have been damaged

		<b>Corrective Action Needed?</b>		<b>Maintenance Performed:</b>
Inspected By:	Yes	<input type="radio"/>	No	<input type="radio"/>

**DO NOT USE DAMAGED EQUIPMENT OR EQUIPMENT THAT HAS BEEN MODIFIED.**

For proper set-up and use instructions please refer to the instruction manual specific to your make and model of Mobile Fall Protection cart.

For Technical Support contact 888-990-2990 / [TechnicalSupport@leadingedgesafety.net](mailto:TechnicalSupport@leadingedgesafety.net)

Copyright © 2024 by Leading Edge Safety, LLC  
PRINTED IN THE UNITED STATES OF AMERICA