

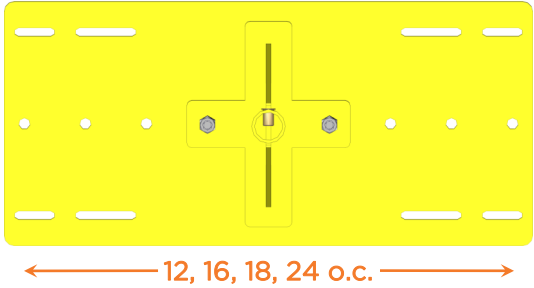
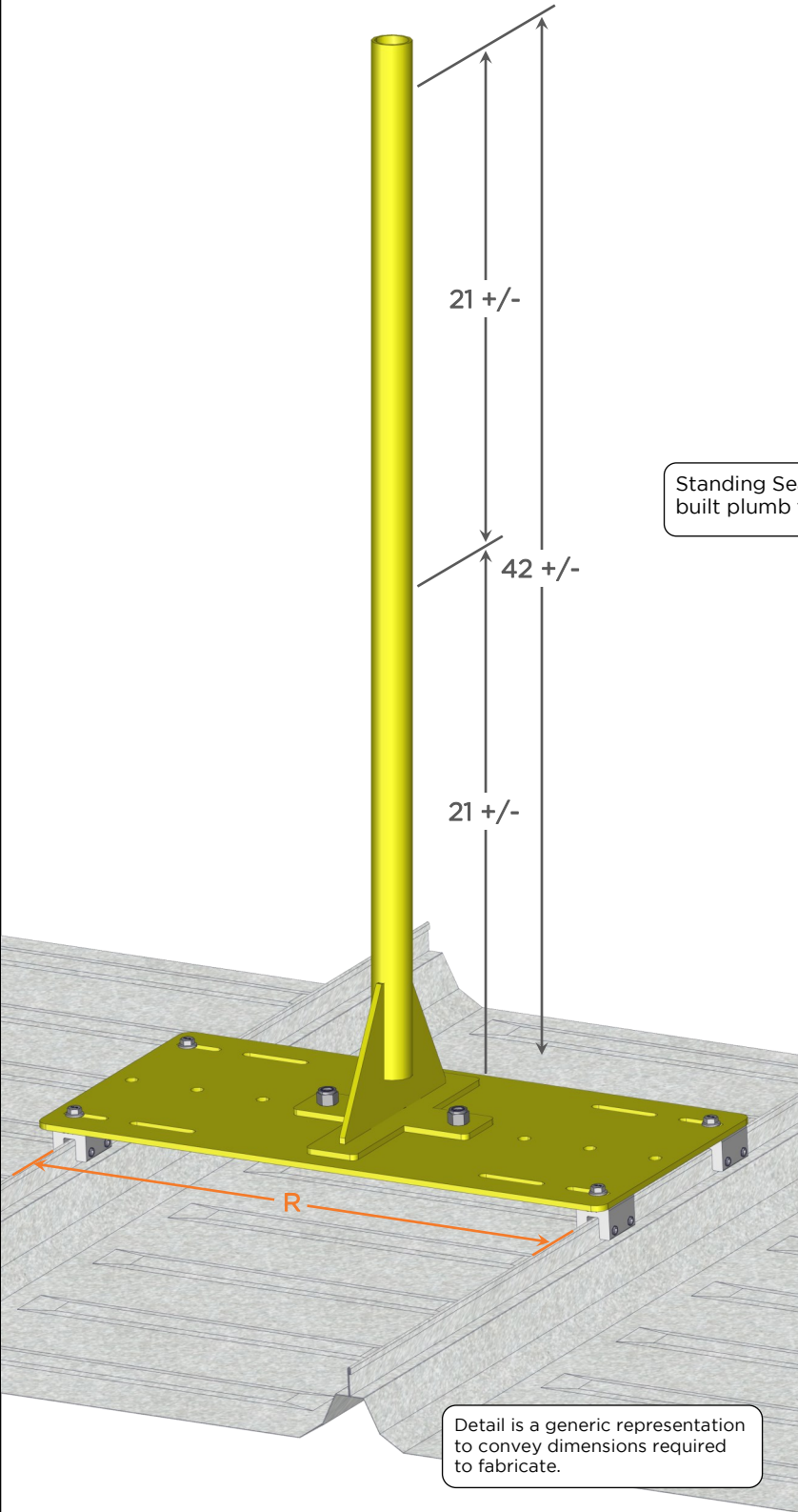
**NOTES:**

Panel Rib Spacing - 12", 16", 18", 24" o.c.  
 Rib Spacing "R": \_\_\_\_\_

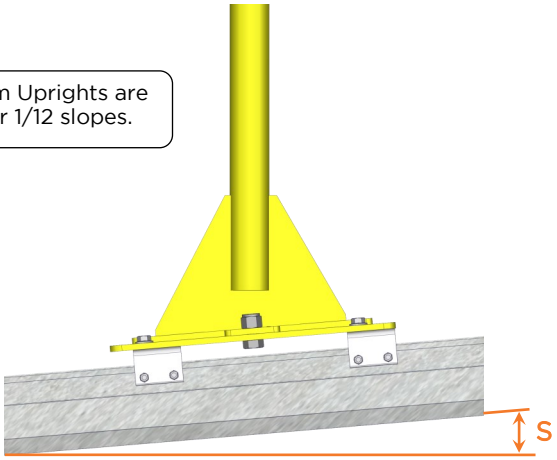
Roof Slope per Inch:  
 Slope "S": \_\_\_\_\_

Roof Panel Manufacturer: \_\_\_\_\_

Roof Panel Type: \_\_\_\_\_



Standing Seam Uprights are built plumb for 1/12 slopes.



1/12 SLOPE

Quote #: \_\_\_\_\_ Color Selection: \_\_\_\_\_

Approved By: \_\_\_\_\_

1345 TANEY ST • NORTH KANSAS CITY, MO 64116  
 (T) 888-990-2990 (P) 816-471-1349  
 SALES@LEADINGEDGESAFETY.NET  
 © 2022 LEADING EDGE SAFETY, LLC

FILE \_\_\_\_\_  
 PRS-SS-00  
 Standing Seam Guardrail

SCALE \_\_\_\_\_  
 N.T.S.

REVISION \_\_\_\_\_  
 1/12/2022