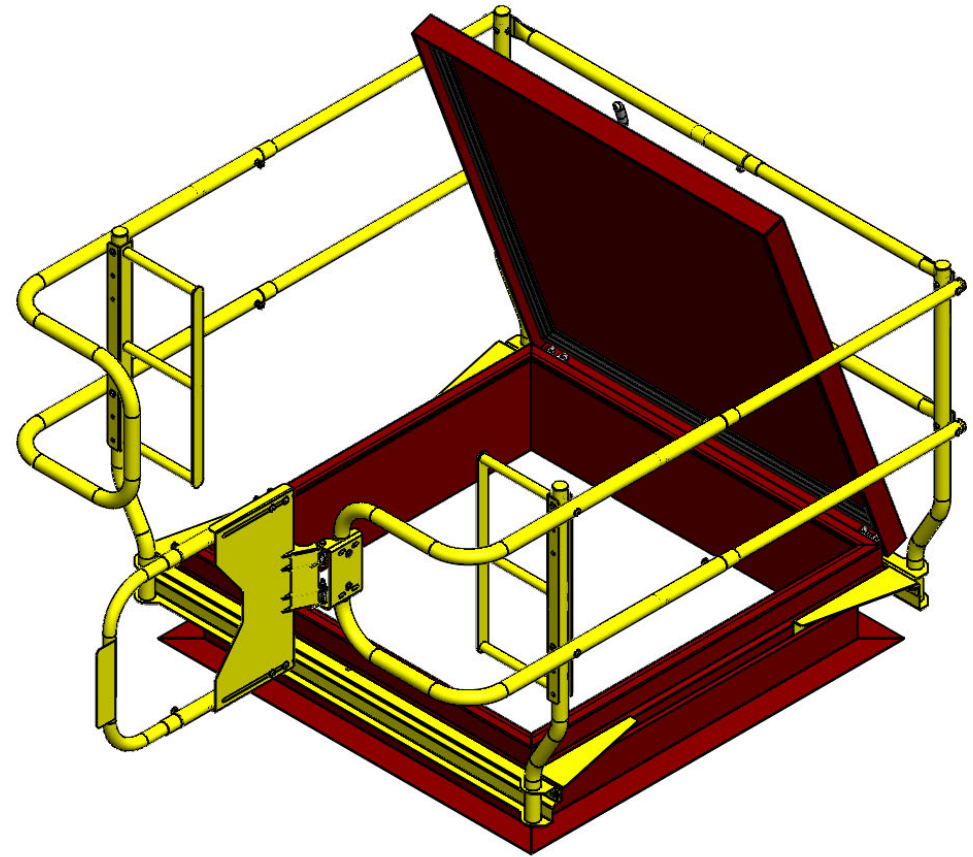
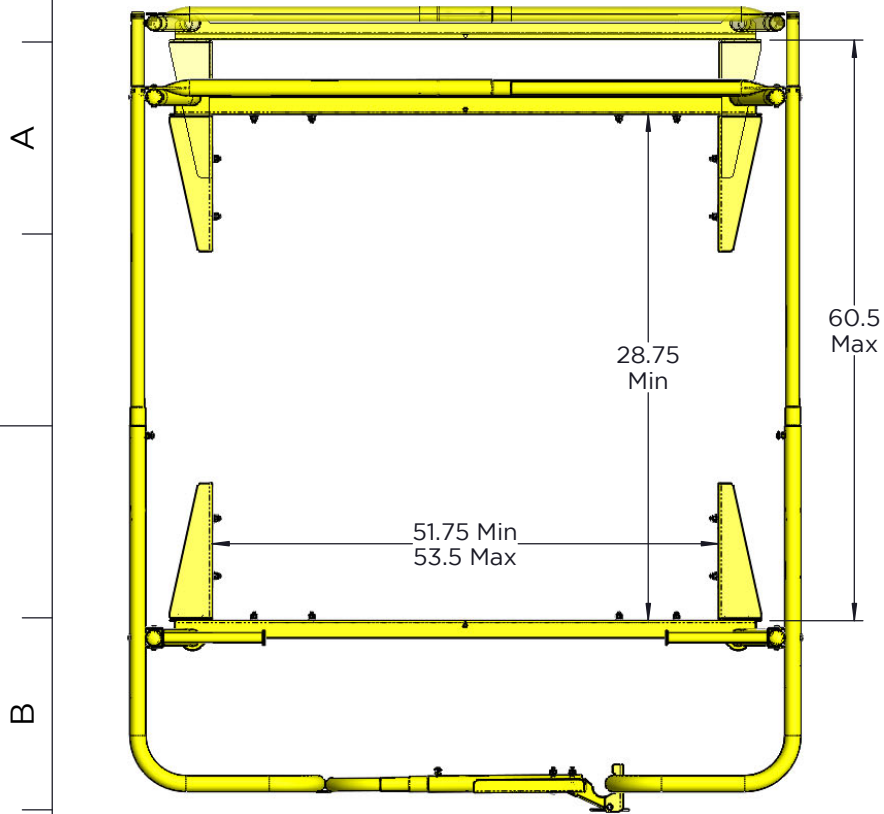


**NOTES:**

All Measurements in Inches  
Approx. Unit Weight: 190. lbs.

| Parts: | Qty: |
|--------|------|
|--------|------|



1345 TANEY STREET  
NORTH KANSAS CITY, MO 64116  
(T) 888-990-2990  
(P) 816-471-1349  
SALES@LEADINGEDGESAFETY.NET  
Information in this drawing is for reference only.

Scale: 1/20" - 1" (8.5x11)

Dwg: PRS-RH-48X48(54)-15

Roof Hatch Rail System Assembly  
48" x 48"-54" Common Sized Unit