

Detail is a generic representation to convey dimensions required to fabricate.

NOTES:

Typical 6" Offset From Wall Face.
 Typical 45 Degree Upright Bend Angle.

Distance "B": Face Height of Fascia or Coping Cap.
 Distance "B": _____

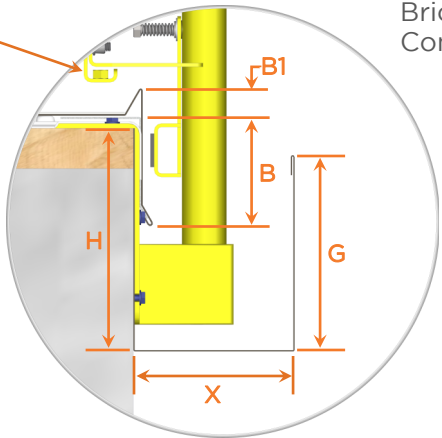
Distance "B1": Rise Height of Fascia or Coping Cap.
 Distance "B1": _____

Distance "G": Inside Height of Gutter Face.
 Distance "G": _____

Distance "H": Inside Height of Gutter Back.
 (Minimum 6")
 Distance "H": _____

Distance "X": Inside Width of Gutter.
 (Minimum 4")
 Distance "X": _____

Acceptable Wall Substrates:
 CMU
 Brick
 Concrete



Quote #: _____ Color Selection: _____

Approved By: _____



LEADING EDGE
SAFETY

1345 TANEY ST • NORTH KANSAS CITY, MO 64116
 (T) 888-990-2990 (P) 816-471-1349
 SALES@LEADINGEDGESAFETY.NET
 © 2022 LEADING EDGE SAFETY, LLC

FILE _____
 PRS-LEG-00
 Low Edge Gutter Detail

SCALE _____
 N.T.S.

REVISION _____
 1/12/2022