

NOTES:

Typical 6" Offset From Wall Face.
 Typical 45 Degree Upright Bend Angle.

Distance "B": Face Height of Fascia or Coping Cap.
 Distance "B": _____

Distance "B1": Rise Height of Fascia or Coping Cap.
 Distance "B1": _____

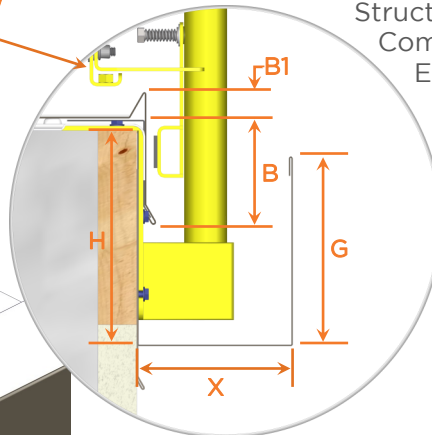
Distance "G": Inside Height of Gutter Face.
 Distance "G": _____

Distance "H": Inside Height of Gutter Back.
 (Minimum 6")
 Distance "H": _____

Distance "X": Inside Width of Gutter.
 (Minimum 4")
 Distance "X": _____

Acceptable Wall Substrates:

- Metal Wall Panels
- Structural Insulated Panels
- Composite Metal Panels
- EFIS



Quote #: _____

Color Selection: _____

Approved By: _____



1345 TANEY ST • NORTH KANSAS CITY, MO 64116
 (T) 888-990-2990 (P) 816-471-1349
 SALES@LEADINGEDGESAFETY.NET
 © 2022 LEADING EDGE SAFETY, LLC

FILE _____

PRS-LEG-00(B)
 Low Edge Gutter Detail - Fascia Extender

SCALE _____

N.T.S.

REVISION _____

1/12/2022

Detail is a generic representation to convey dimensions required to fabricate.