

Detail is a generic representation to convey dimensions required to fabricate.

**NOTES:**

Typical 6" Offset From Wall Face.  
 Typical 45 Degree Upright Bend Angle.

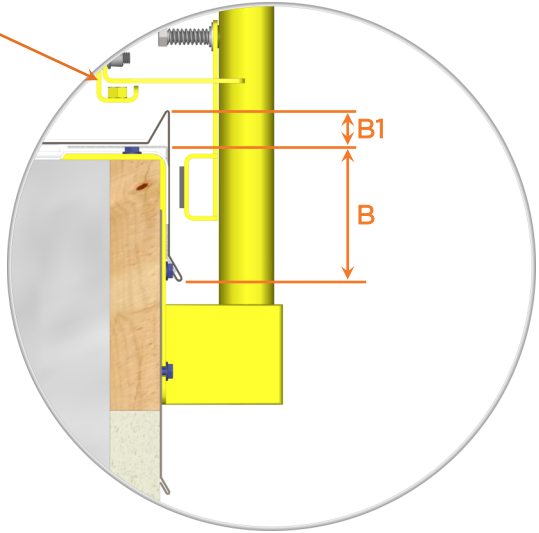
Distance "B": Face Height of Fascia or Coping Cap.  
 Distance "B": \_\_\_\_\_

Distance "B1": Rise Height of Fascia or Coping Cap.  
 Distance "B1": \_\_\_\_\_

Acceptable Wall Substrates:

- Metal Wall Panels
- Structural Insulated Panels
- Composite Metal Panels
- EFIS

*Optional Toe Board*



Quote #:

Color Selection:

Approved By:



**LEADING EDGE**  
SAFETY

1345 TANEY ST • NORTH KANSAS CITY, MO 64116  
 (T) 888-990-2990 (P) 816-471-1349  
 SALES@LEADINGEDGESAFETY.NET  
 © 2022 LEADING EDGE SAFETY, LLC

FILE \_\_\_\_\_  
 PRS-LE-00(B)  
 Low Edge Detail - Fascia Extender

SCALE \_\_\_\_\_  
 N.T.S.

REVISION \_\_\_\_\_  
 1/12/2022