

Detail is a generic representation to convey dimensions required to fabricate.

NOTES:

Distance "E": Inside Height of Parapet Wall.
(12" Minimum)

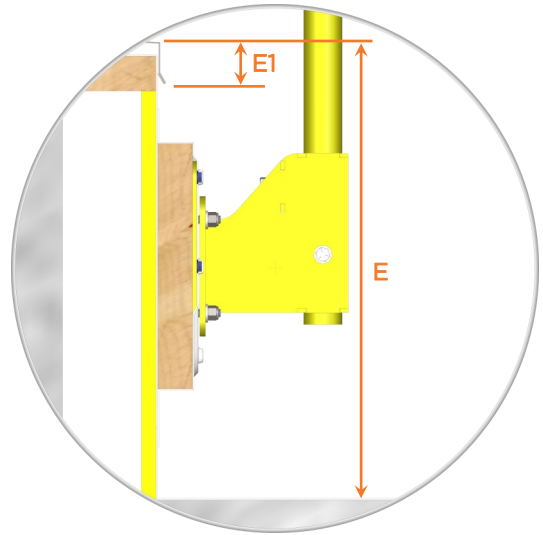
Distance "E": _____

Distance "E1": Inside Height from Top of Coping Cap to Vertical Nailer.

Distance "E1": _____

Acceptable Wall Substrates:

Vertical 2x Nailer Secured to Structure over Non-Structural Substrates



Quote #: _____

Color Selection: _____

Approved By: _____



LEADING EDGE
SAFETY

1345 TANEY ST • NORTH KANSAS CITY, MO 64116
(T) 888-990-2990 (P) 816-471-1349
SALES@LEADINGEDGESAFETY.NET
© 2022 LEADING EDGE SAFETY, LLC

FILE _____
PRS-FMB-ISW(B)
Inside Parapet Wall Detail - Vertical Nailer

SCALE _____
N.T.S.

REVISION _____
1/12/2022