

NOTES:

Distance "E": Inside Height of Parapet Wall.
(12" Minimum)

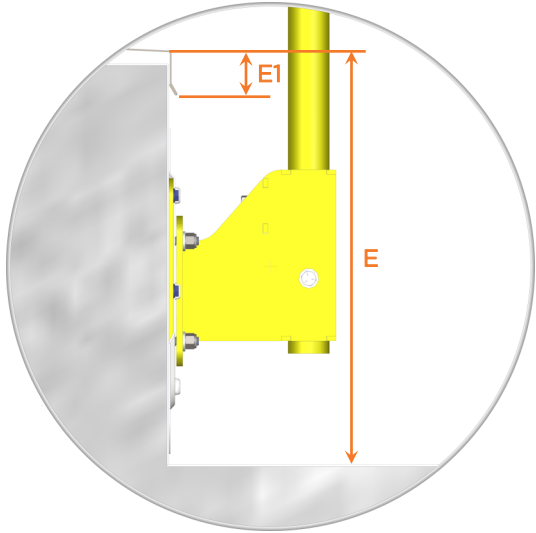
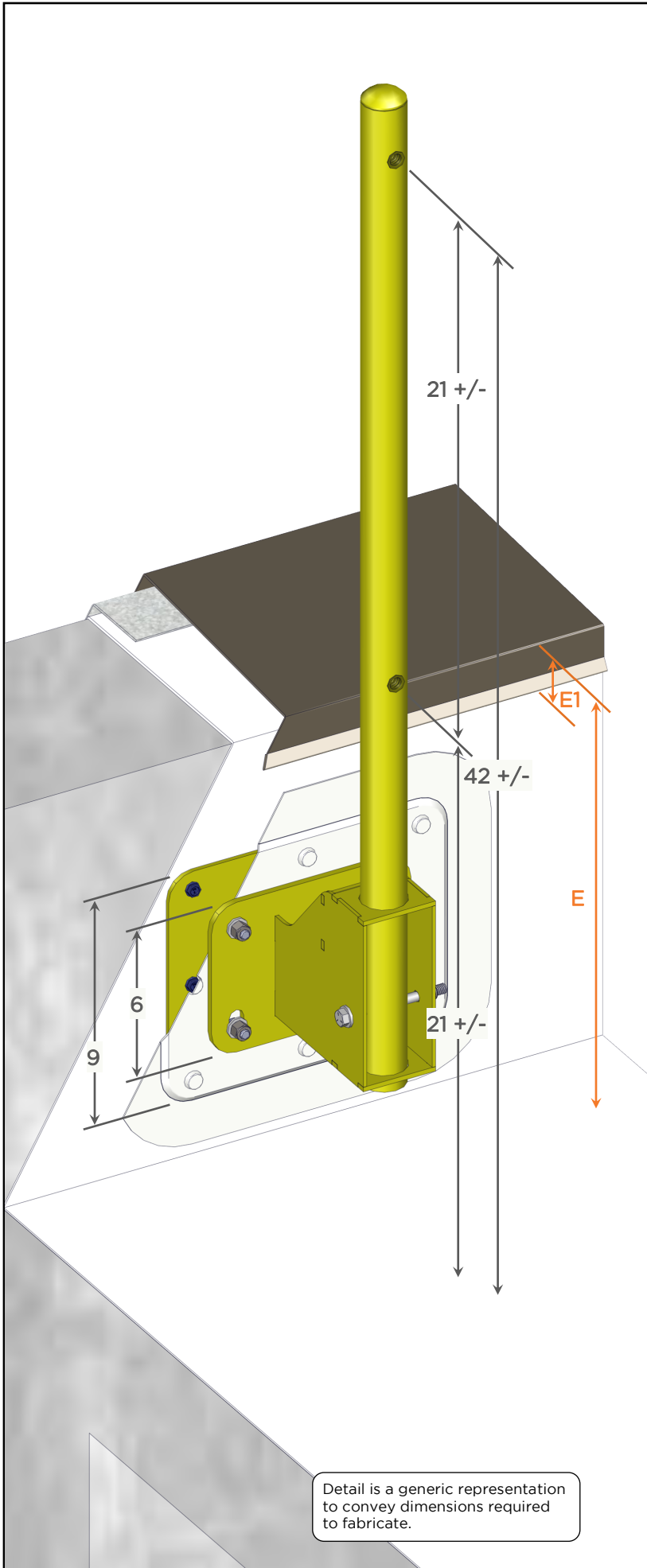
Distance "E": _____

Distance "E1": Inside Face Height of Coping Cap.

Distance "E1": _____

Acceptable Wall Substrates:

- Concrete
- Brick
- CMU
- 3/4" Plywood (2 Layers)



Quote #: _____

Color Selection: _____

Approved By: _____

Detail is a generic representation to convey dimensions required to fabricate.



LEADING EDGE SAFETY

1345 TANEY ST • NORTH KANSAS CITY, MO 64116
(T) 888-990-2990 (P) 816-471-1349
SALES@LEADINGEDGESAFETY.NET
© 2022 LEADING EDGE SAFETY, LLC

FILE _____
 PRS-FMB-ISW(A)
 Inside Parapet Wall Detail

SCALE _____
 N.T.S.

REVISION _____
 1/12/2022