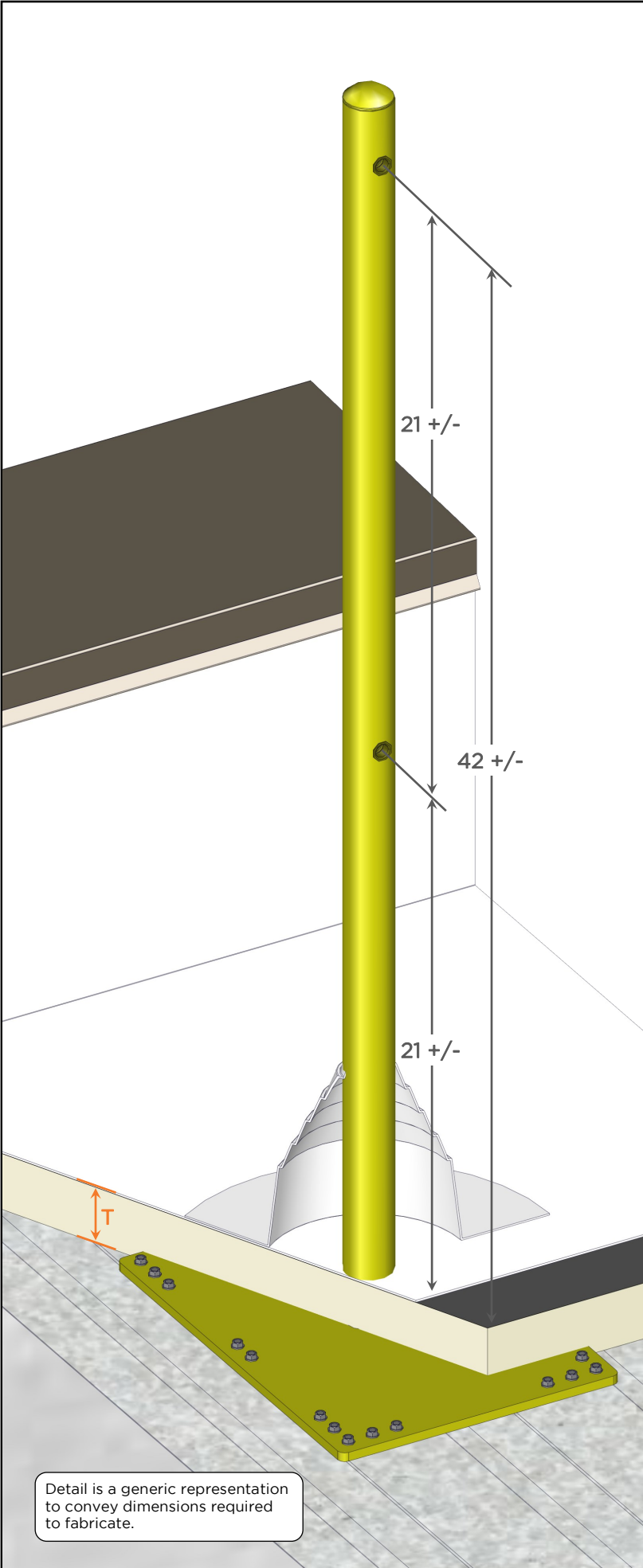


NOTES:

Distance "T": Thickness of Roof Assembly.
Distance "T": _____

Acceptable Deck Substrates:
22 Gauge Metal Deck (min.)



Detail is a generic representation to convey dimensions required to fabricate.

Quote #: _____ Color Selection: _____

Approved By: _____


LEADING EDGE
 SAFETY

1345 TANEY ST • NORTH KANSAS CITY, MO 64116
 (T) 888-990-2990 (P) 816-471-1349
 SALES@LEADINGEDGESAFETY.NET
 © 2022 LEADING EDGE SAFETY, LLC

FILE _____
LE-MDM-00
Metal Deck Detail

SCALE _____
N.T.S.

REVISION _____
1/12/2022