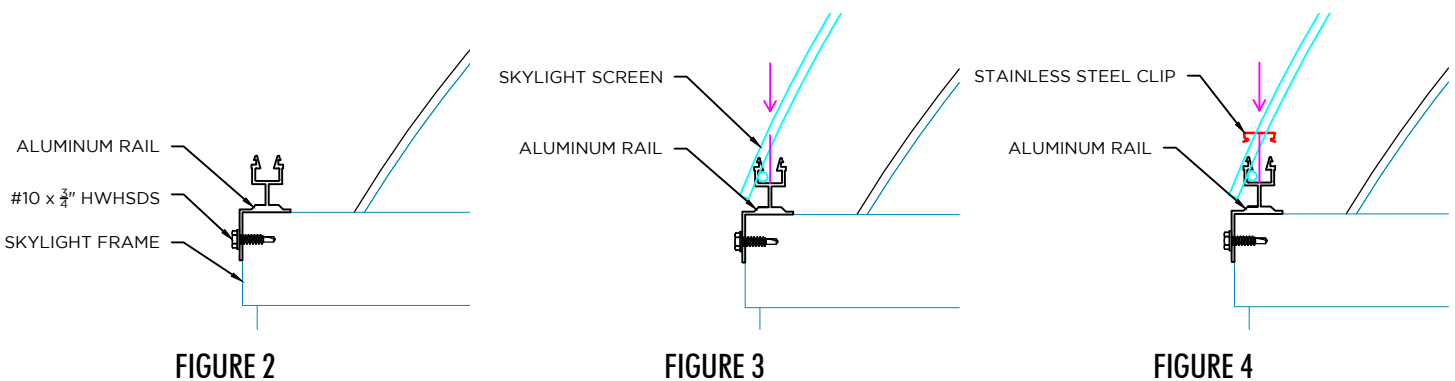
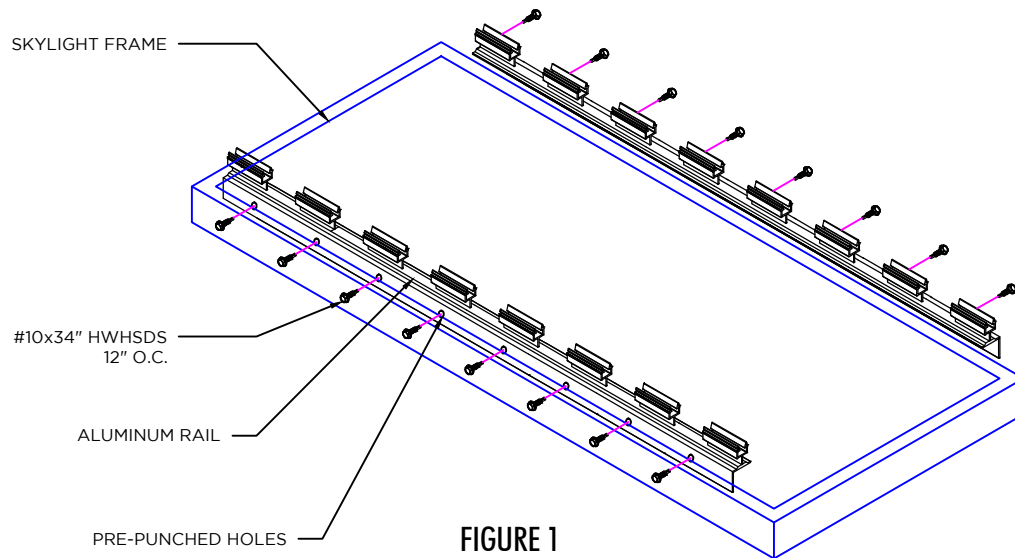


LEADING EDGE SAFETY

DOMED SKYLIGHT SCREEN INSTALLATION



INSTALLATION INSTRUCTIONS

Do not touch or place body weight on the skylight during installation. Use proper fall protection and other PPE when working near roof skylight openings and during installation.

1. CENTER ALUMINUM RAIL ONTO LENGTH SIDE OF SKYLIGHT FRAME (FIGURE 1)
2. SECURE THE ALUMINUM RAIL ONE THE SKYLIGHT FRAME WITH PROVIDED GALVANIZED STEEL HEX WASHER SELF-DRILLING SCREWS THROUGH THE PRE-PUNCHED HOLES (FIGURE 1&2) (NUMBER OF SCREWS VARIES BY DIMENSION)
3. CENTER THE SCREEN OVER THE SKYLIGHT AND INSTALL THE LONG SIDE OF SCREENS INTO THE ALUMINUM RAIL NOTCH OPENINGS.
4. INSTALL THE PROVIDED STAINLESS STEEL CLIPS BY SNAPPING IN TO PLACE OVER THE RAIL NOTCHES. START ON THE ENDS AND SPACE APPROXIMATELY 12-18" APART (CLIPS DO NOT NEED TO BE ON EVERY NOTCH - ONE BAG PER SCREEN) $\# \text{ OF CLIPS} / 2 = 1 \text{ RAIL}$ (FIGURE 4)