

1 2 3 4

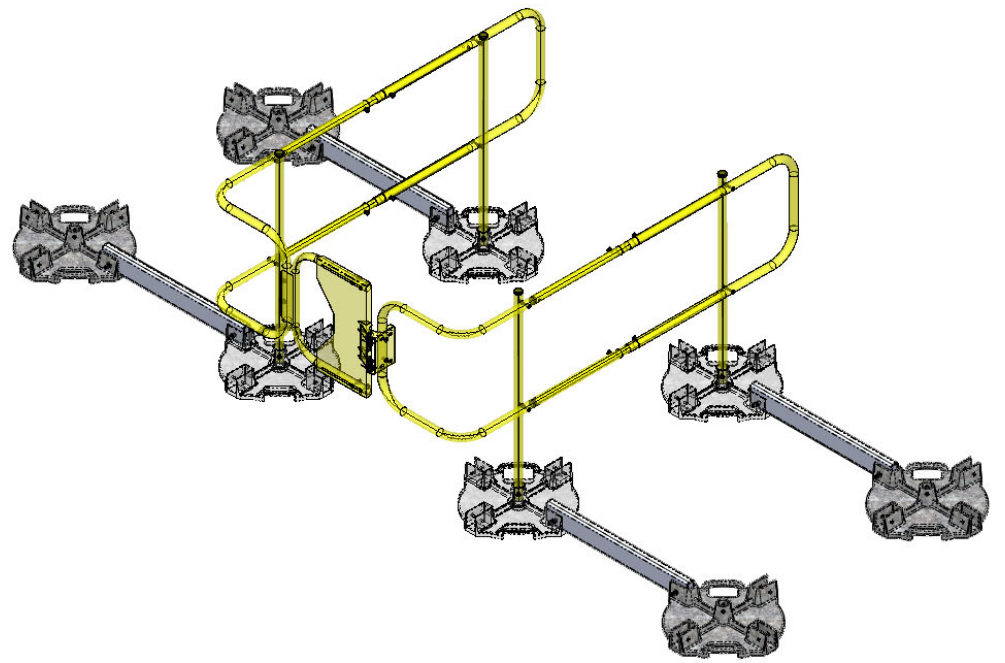
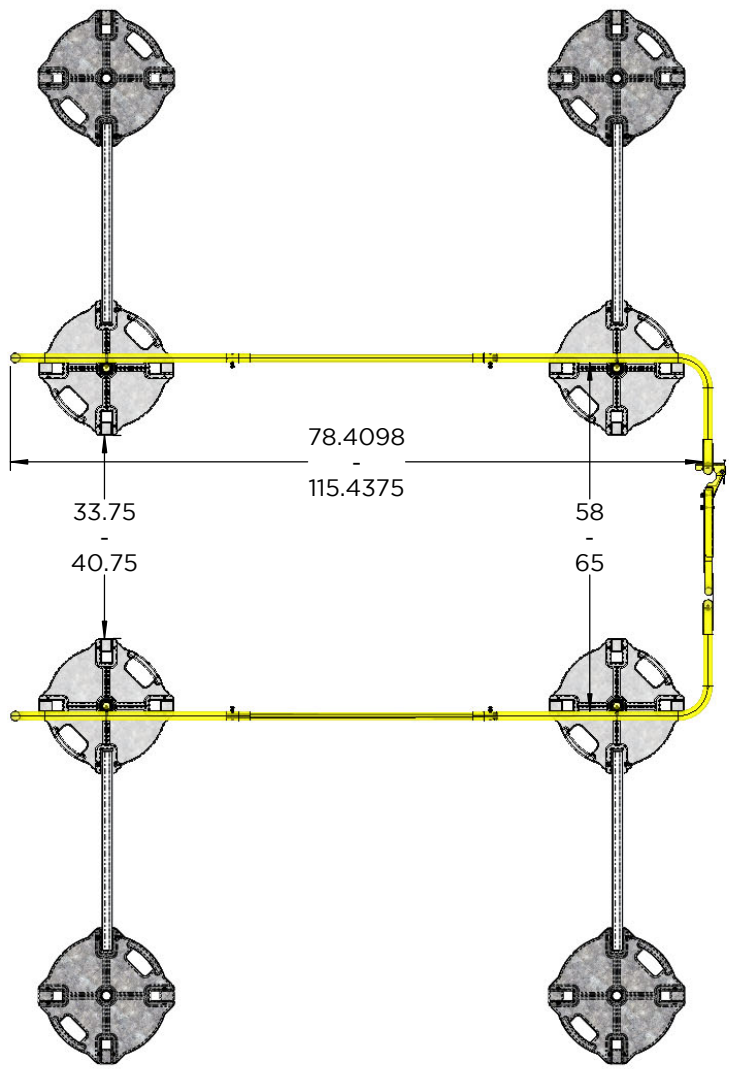
NOTES:

All Measurements in Inches
 Approx. Unit Weight: +425. lbs.

Parts:	Qty:
--------	------

A

A



B

B



1345 TANEY STREET
 NORTH KANSAS CITY, MO 64116
 (T) 888-990-2990
 (P) 816-471-1349
 SALES@LEADINGEDGESAFETY.NET
 Information in this drawing is for reference only.

Scale: 1/32" = 1" (8.5x11)

Dwg: LA-000-16-OR

Freestanding Weighted Base
 Ladder Access Staging Area,
 Outrigger Sub Unit Addition

1 2 3 4