

**NOTES:**

All Measurements in Inches  
 Approx. Part Weight: 510. lbs

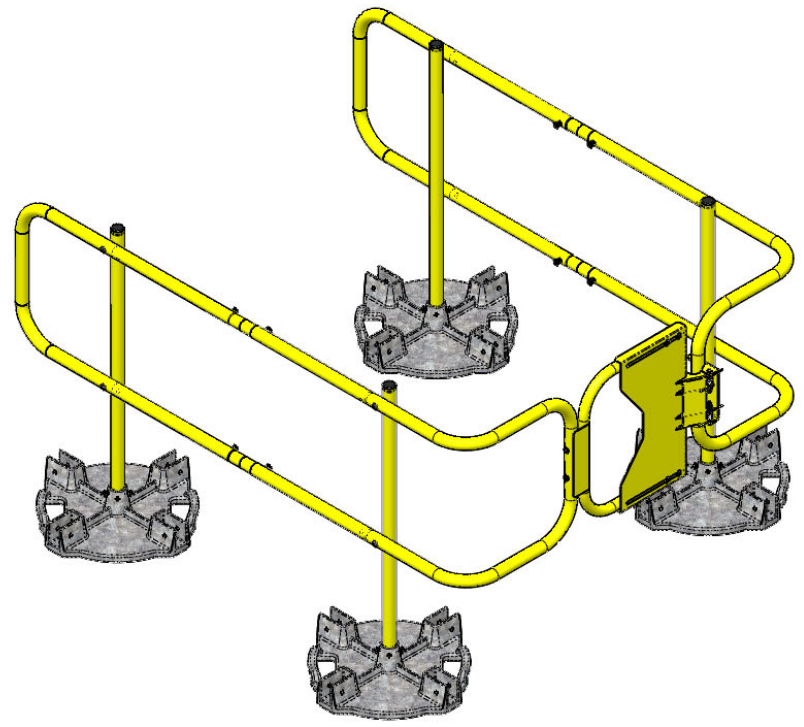
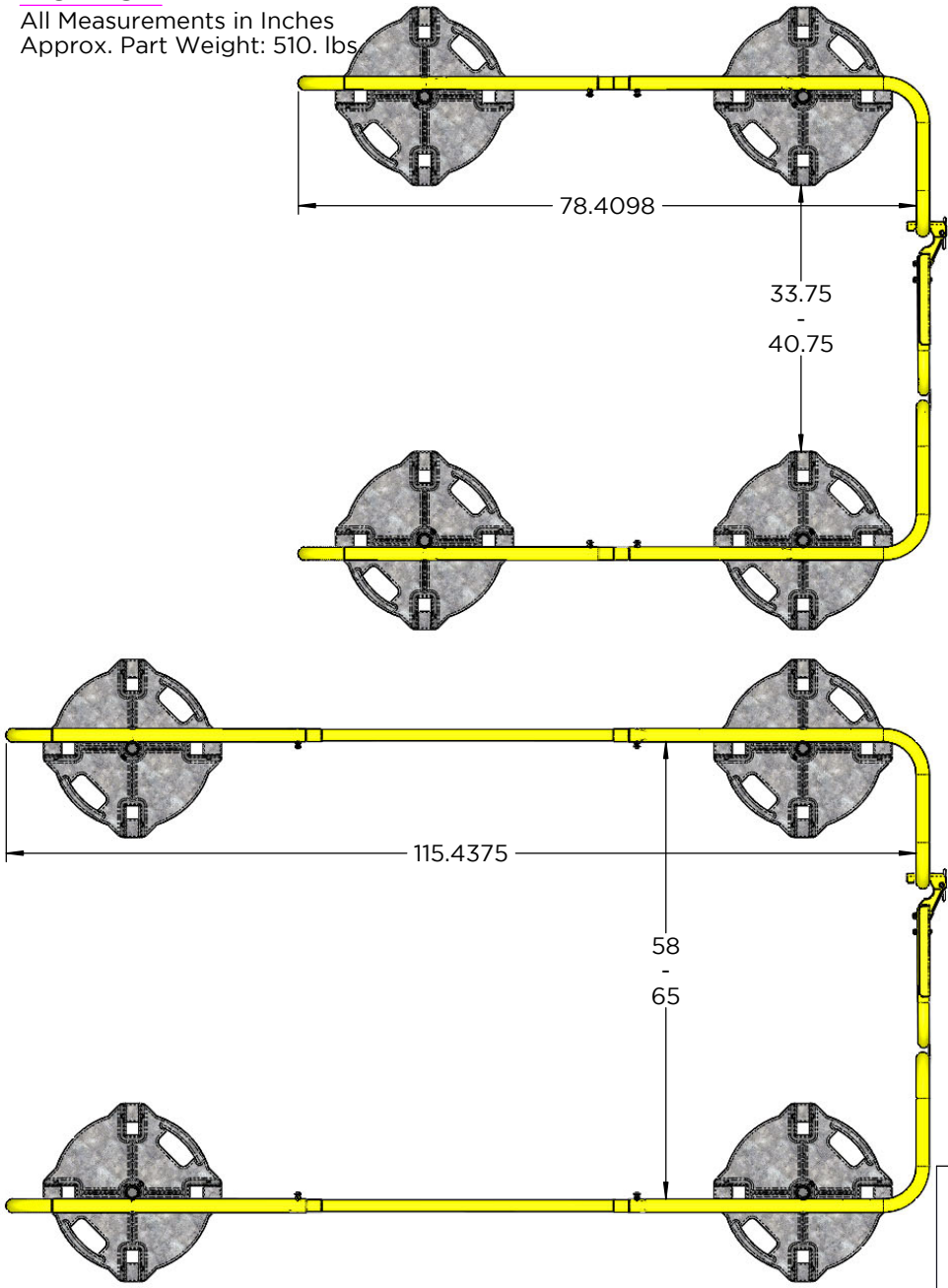
Parts:	Qty:
--------	------

A

B

A

B



1345 TANEY STREET  
 NORTH KANSAS CITY, MO 64116  
 (T) 888-990-2990  
 (P) 816-471-1349  
 SALES@LEADINGEDGESAFETY.NET  
 Information in this drawing is for reference only.

Scale: 1/24" = 1" (8.5x11)  
 Dwg: LA-000-16

Freestanding Weighted Base  
 Ladder Access Staging Area,  
 Standard Assembly Unit

1

2

3

4