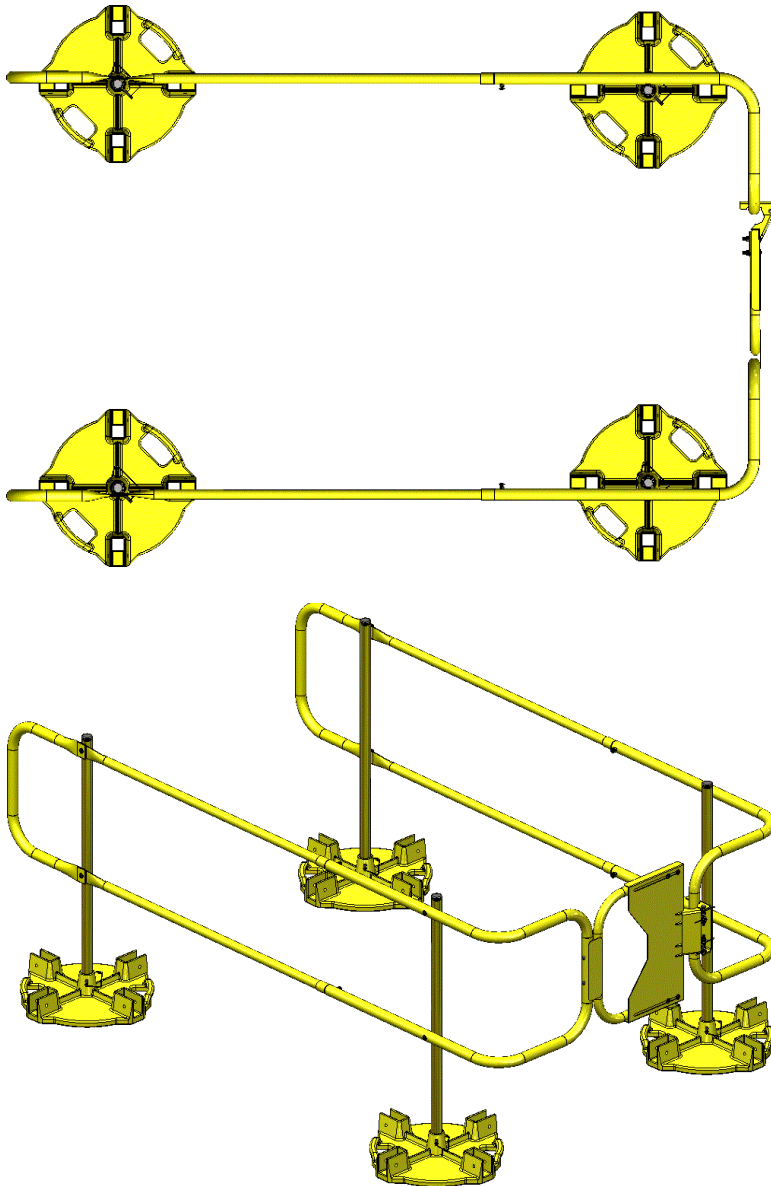


The Freestanding Ladder to Roof Access Point provides permanent fall protection, a controlled access zone, and safer step-on and step-off for both temporary and fixed ladder points. "Zero Penetration" design will not damage the roof or flashings, prevents moisture from entering the building, and will not void the roof warranty. A self-closing gate ensures a safe controlled access zone at ladderways.



KEY FEATURES

- Permanent and compliant controlled access zone.
- Easy to install
- Self-closing gate
- Safe landing area created by rail
- Extensions
- "Zero Penetration" attachment
- Improved egress and ingress
- Powder coated steel or Hot-Dipped Galvanized
- Made in the U.S.A.
- Meets and Exceeds:

- OSHA 29 CFR 1926.501
- OSHA 29 CFR 1926.502
- OSHA 29 CFR 1910.29
- Cal-OSHA §1620
- Cal-OSHA §3209
- Cal-OSHA §3212
- ANSI/ASEE A1264.1-2007
- USACE EM 385-1-1 (21.E.01 a-c)

Product Name: Freestanding Ladder to Roof Access Point

Product Description: Freestanding Ladder to Roof Access Point provides permanent fall protection, a controlled access zone, and safer step-on and step-off for both temporary and fixed ladder points. Each unit features a self-closing gate to ensure a safe controlled access zone at the ladder.

Applications: The Freestanding Ladder to Roof Access Point provides fall protection and a controlled access zone at ladder points around the roof.

Installation: Freestanding Ladder to Roof Access Point can be installed at both new and existing ladder points without penetrating the roof membrane.

Materials:

Uprights: 1.625" x .065" (ASTM C1008/1010) steel tube

Bases: 23" x 23" Cast 35 Gray Iron

Horizontal Rails: 1.625" x .065" (ASTM C1008/1010) and 1.375" x .065" (ASTM C1008/1010) steel tube adjustable slide rails.

GrabSafe™: 1" x 5.5" steel tube (ASTM A513) welded to 10 gauge steel (ASTM A1011 CS Type B) bracket.

Self-Closing Gate: 1.625" x .065" steel tube (ASTM C1008/1010), 16 gauge steel plate (ASTM A1008 CS Type B)

Finish:

Uprights & Rails: Powder coated steel or Hot-Dipped Galvanized to ASTM A123.

Bases: Galvanized

Colors: Numerous colors to match Kynar® sheet metal, building components and RAL colors.

Hardware: 3/8"-16 x 1" zinc plated steel.

Labels: Applicable safety warnings and manufacturer's contact information.

Sizes: 5'-6" w x 4'-8" to 6'-11" adjustable

Weight: 430 lbs

Warranty: 1 year manufacturer's limited warranty covering manufacturing defects.

Country of Origin: United States of America

AutoCAD details and specifications available at www.LeadingEdgeSafety.net