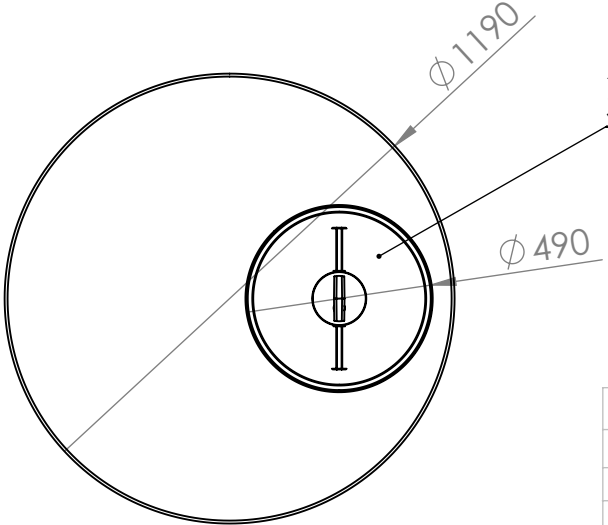
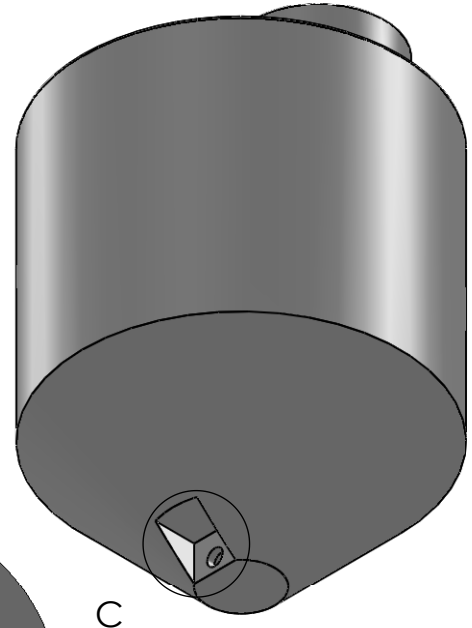


PART NUMBER	Wall Height	Weight	Overall Height
SP500CB	310	25 kg	930
SP800CB	595	40 kg	1215
SP1200CB	950	55 kg	1570



455 Diameter Screwed Lid

50mm BSPT Threaded Outlet

DETAIL C
SCALE 1 : 5

Thursday, 8 December 2011 11:20:27 AM

	NAME	SIGNATURE	DRAWN DATE	18/11/2011
DRAWN	WF		REVISION	-
CHK'D			REVISION DATE	-
APPV'D			Material	LLDPE
MFG			WEIGHT	
Q.A			RM Code	SP500CB, SP800CB & SP1200CB

www.scintex.com.au	
SP500, SP800 & SP1200 ltr Cone Bottom Tank with 455 Diameter Screwed Lid	
TITLE:	
DWG NO.	
UNLESS OTHERWISE SPECIFIED: DIMENSIONS ARE IN MILLIMETERS	
A4	