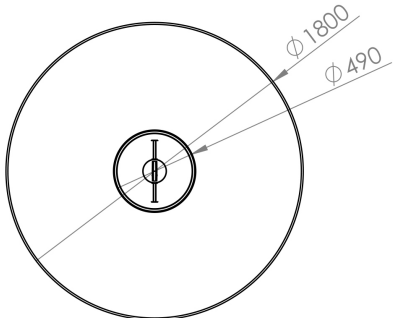
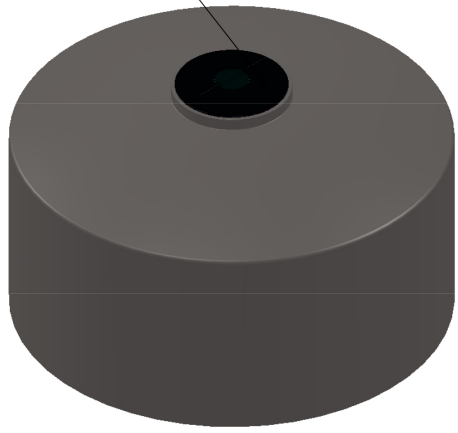


455 nominal diameter vented screw lid



Thursday, 8 December 2011 11:30:16 AM

	NAME	SIGNATURE	DRAWN DATE	21/11/2011
DRAWN	WF		REVISION	-
CHK'D			REVISION DATE	-
APP'VD			Material	LLDPE
MFG			WEIGHT	-
Q.A			RM Code	SP2400CB

TITLE: 2400ltr Cone Bottom Tank  
 DWG NO. \_\_\_\_\_  
 UNLESS OTHERWISE SPECIFIED DIMENSIONS ARE IN MILLIMETERS

A4

There is a possibility of a + or -1% dimensional variation in rotational moulded Plastic products

DEBUR AND BREAK SHARP EDGES SCALE 1:30 DO NOT SCALE DRAWING

SHEET 1 OF 1