

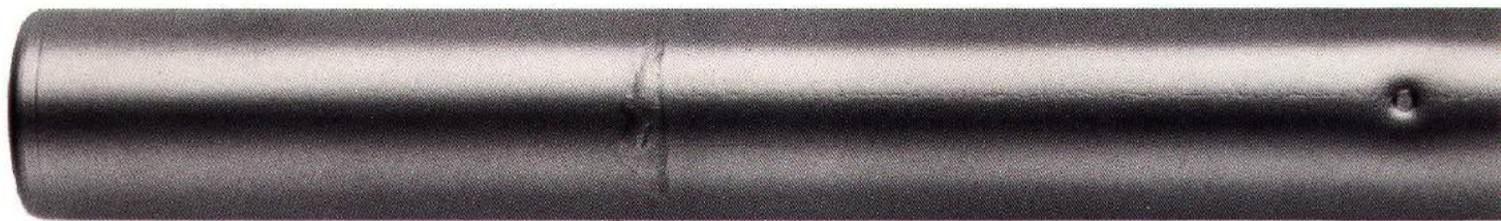


AUBURN IGNITION PRODUCTS

Igniters and Flame Rods



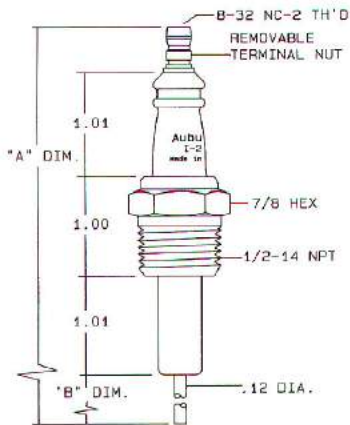
I-32 Igniter



HE-65 Rod Type High Energy Igniter

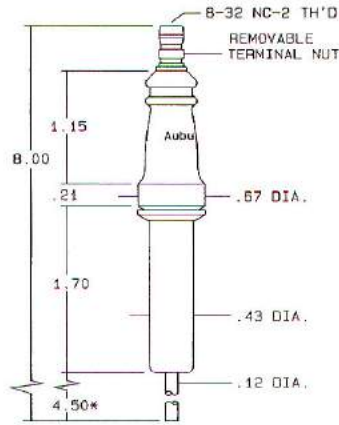
AUBURN IGNITION PRODUCTS

Igniters

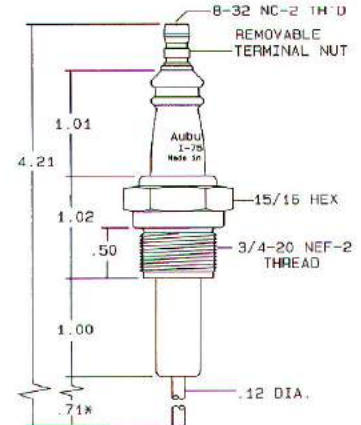


CAT. NO.	"A" DIM.	"B" DIM.
I-2	8.00 REF.	4.50
I-2-1	15.50 REF.	12.00
I-2-2	27.50 REF.	24.00

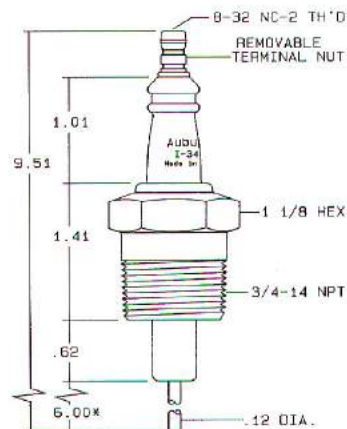
I-2 Series
UL Recognized



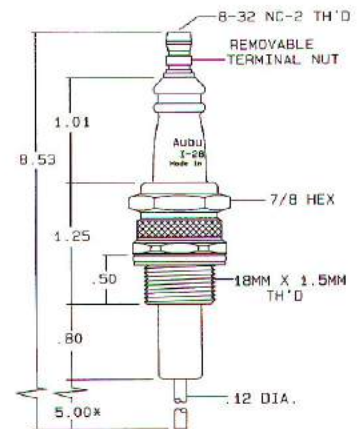
I-2 Insulator Assembly
*Standard-Other Lengths Available Upon Request



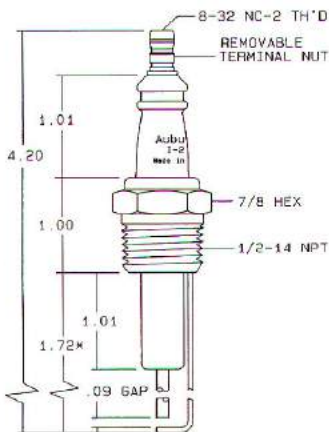
I-75-5
*Standard-Other Lengths Available Upon Request



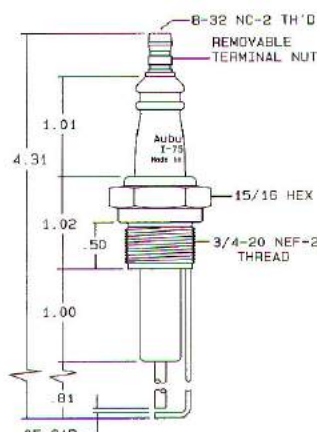
I-34
*Standard-Other Lengths Available Upon Request



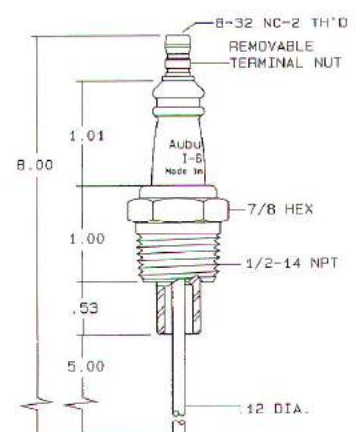
I-28
*Standard-Other Lengths Available Upon Request



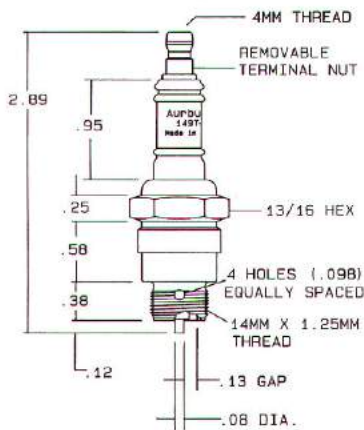
I-25
*Standard-I-25-3 Available With 3.75 Side Wire Extension
UL Recognized



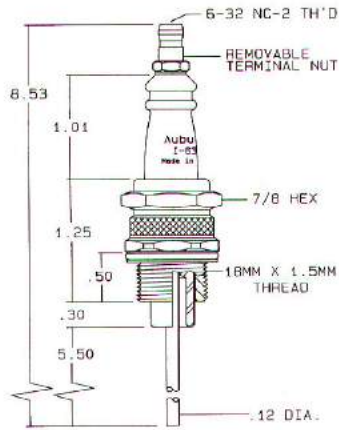
I-75-1
UL Recognized



I-6
*Standard-Other Lengths Available Upon Request

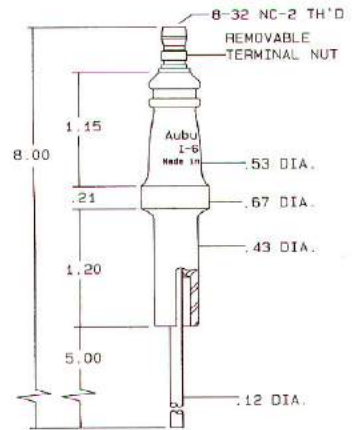


149T-1/ (.090)



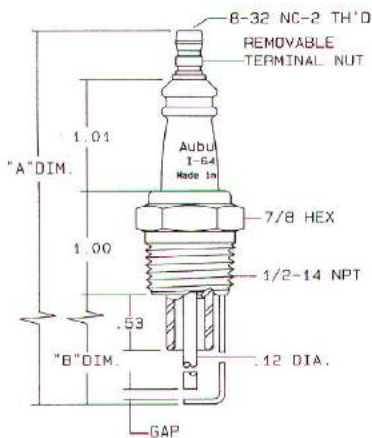
I-63

*Standard-Other Lengths Available Upon Request



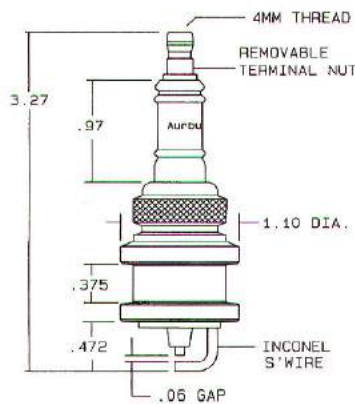
I-6 Insulator Assembly

*Standard-Other Lengths Available Upon Request

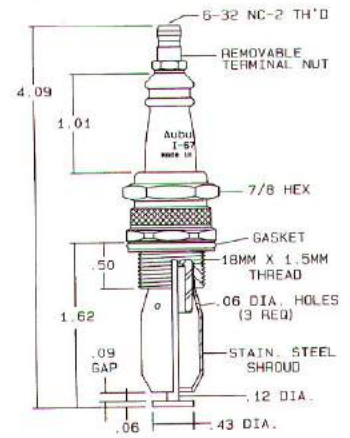


CAT. NO.	"A" DIM.	"B" DIM.	ELEC. MAT.	GAP
I-64-1	4.20	1.72	NI	.090
I-64-3	6.24	3.75	NI	.090

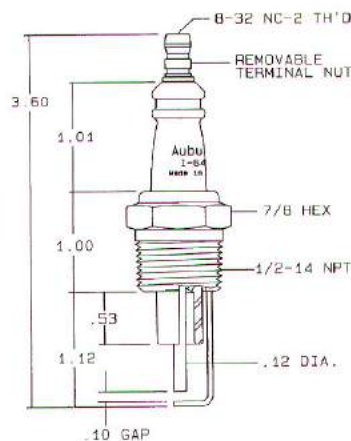
I-64 Series



I-82

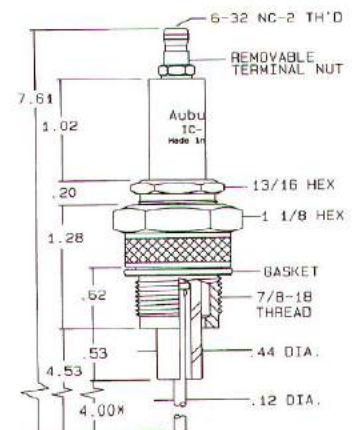


I-67



I-64-4

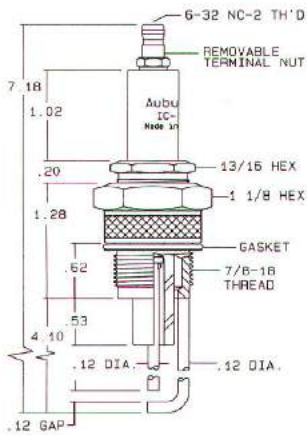
UL Recognized



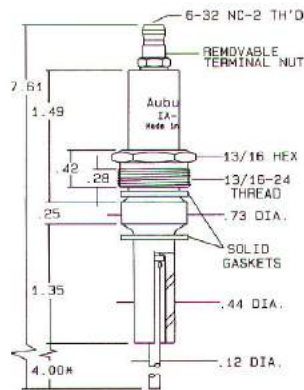
IC-9

*Standard-Other Lengths Available Upon Request

Igniters

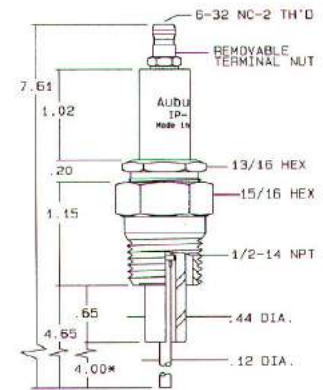


IC-9-2



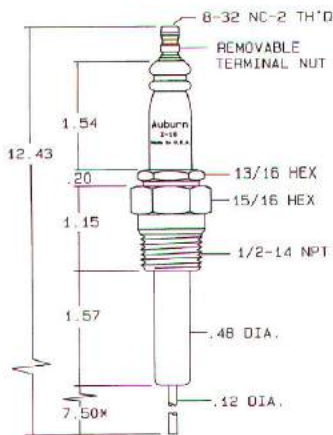
IA-9

*Standard-Other Lengths Available Upon Request



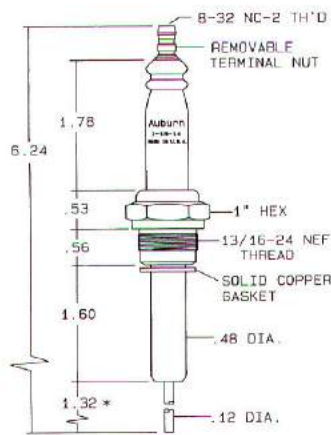
IP-9

*Standard-Other Lengths Available Upon Request



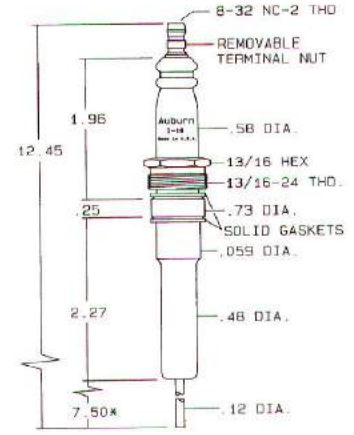
I-18

*Standard-Other Lengths Available Upon Request



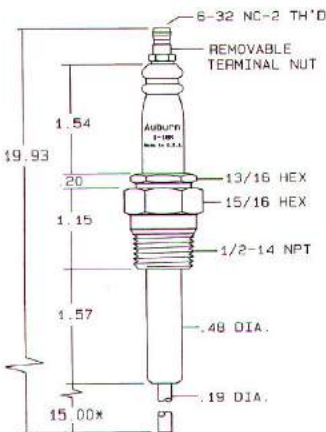
I-18-14

*Standard-Other Lengths Available Upon Request



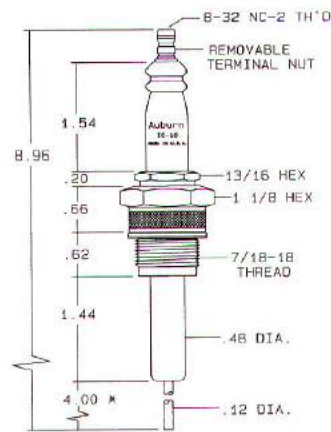
I-18 Insulator Assembly

*Standard-Other Lengths Available Upon Request



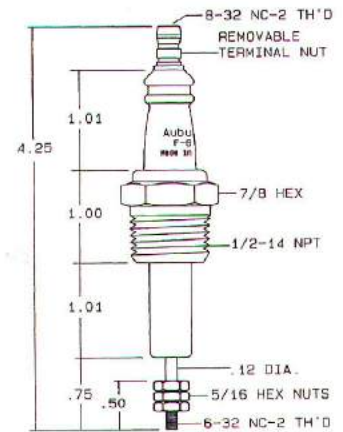
I-18K

*Standard-Other Lengths Available Upon Request

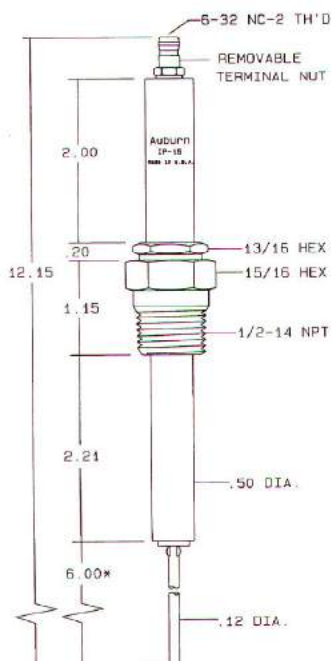


IC-10

*Standard-Other Lengths Available Upon Request

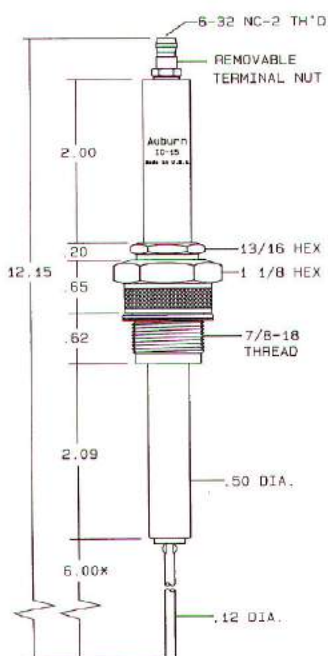


F-68



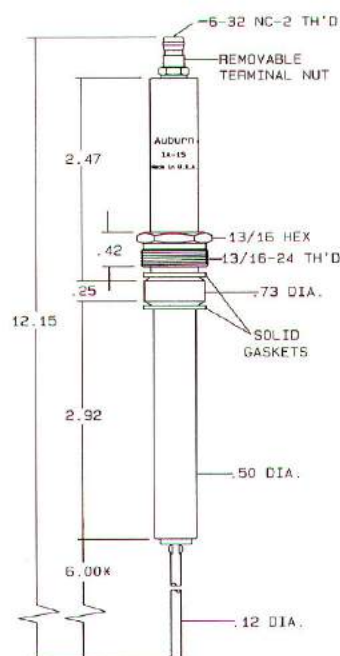
IP-15

*Standard—Other Lengths Available Upon Request



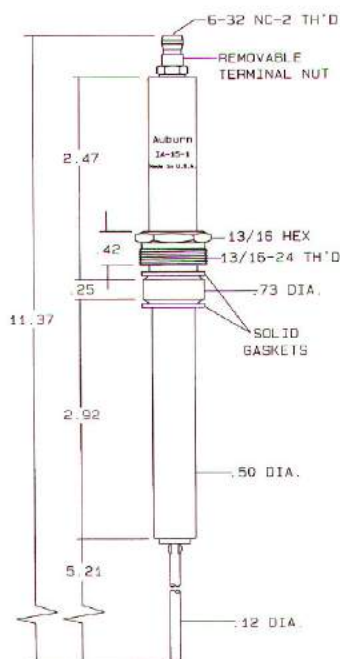
IC-15

*Standard—Other Lengths Available Upon Request

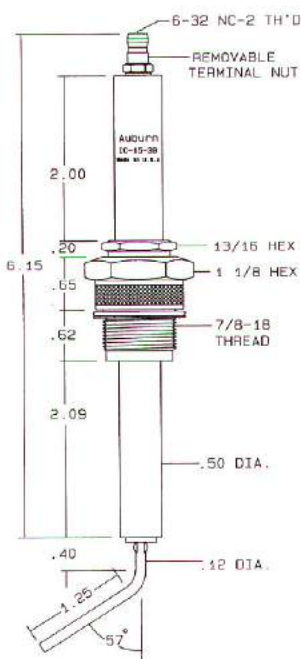


IA-15

*Standard—Other Lengths Available Upon Request

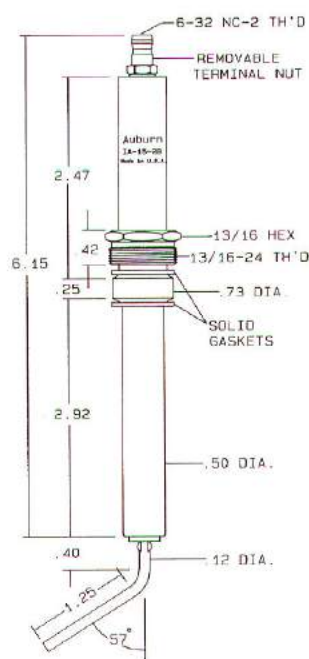


IA-15-1



IC-15-3B

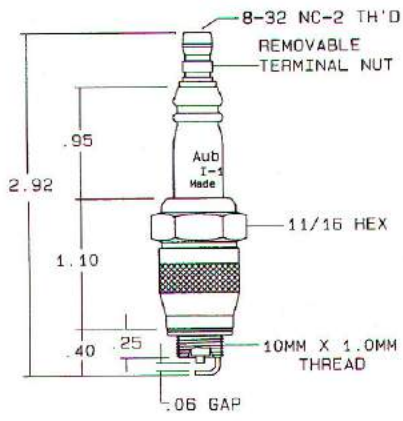
Note: Heat Resistant Center Wire



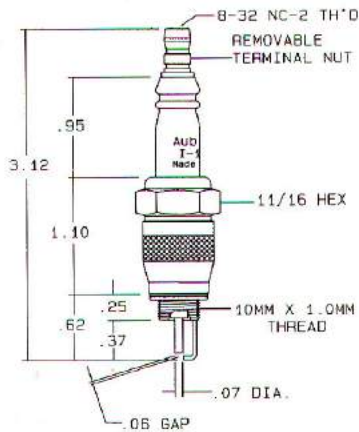
IA-15-2B

Note: Heat Resistant Center Wire

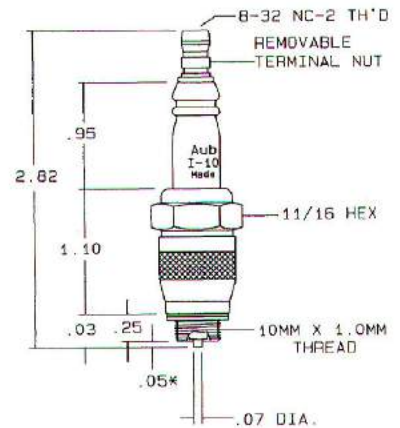
Igniters



I-101

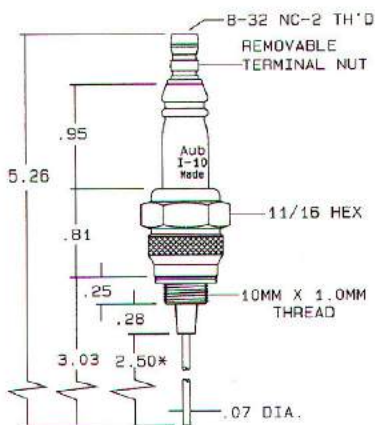


I-102



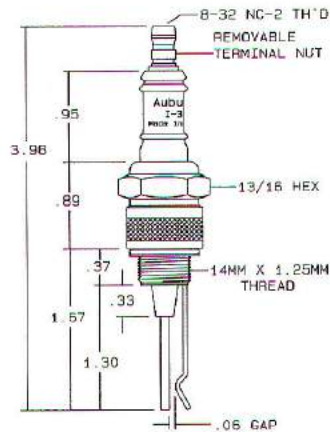
I-10-09

*Standard—Other Lengths Available Upon Request

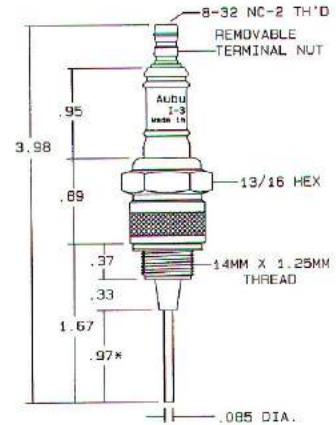


I-10-25

*Standard—Other Lengths Available Upon Request

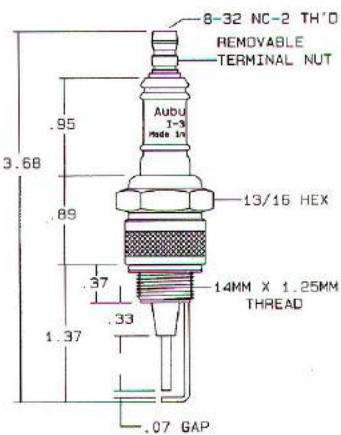


I-3

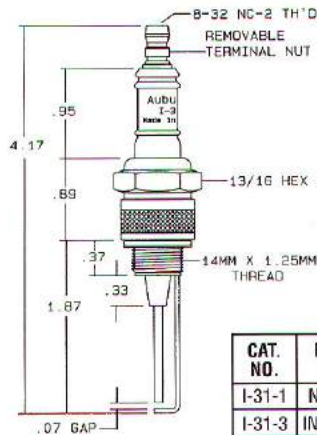


I-33

*Standard—Other Lengths Available Upon Request

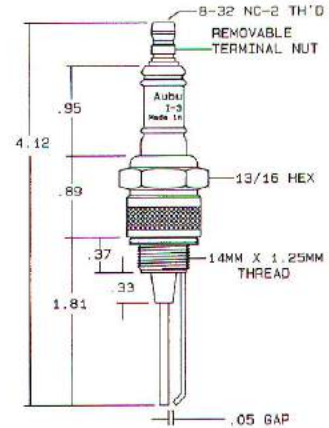


I-31

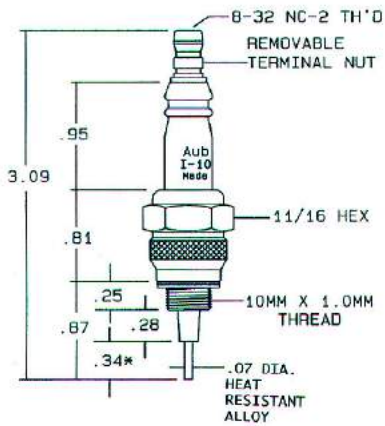


I-31-1

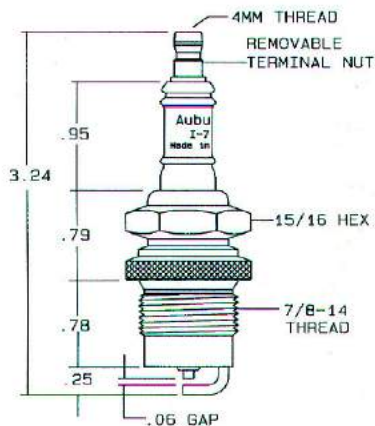
CAT. NO.	ELEC. MAT.
I-31-1	NICKEL
I-31-3	INCONEL



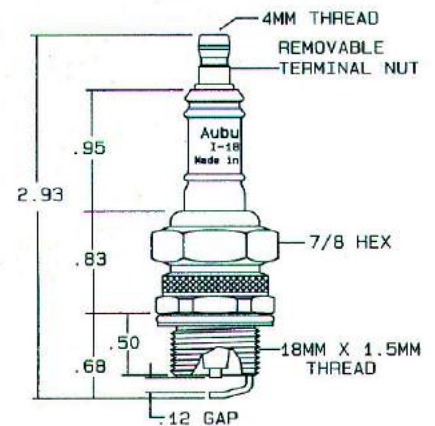
I-32



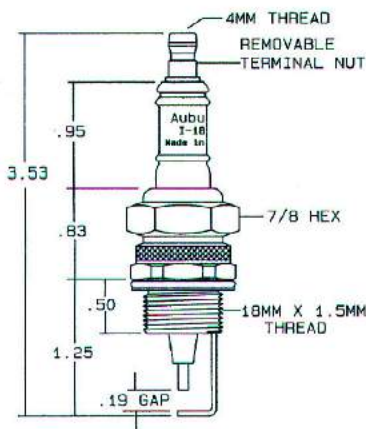
I-10-30



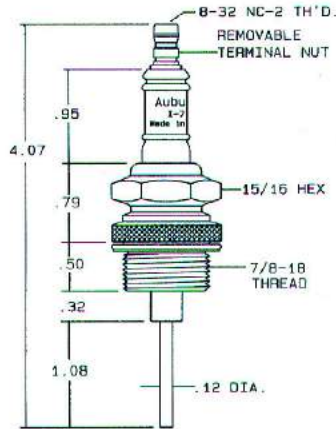
I-78-2



I-181

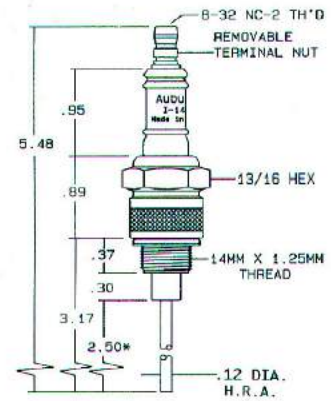


I-182-1



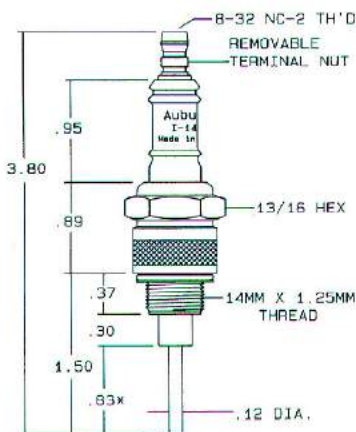
I-78

*Standard-Other Lengths Available Upon Request



I-143

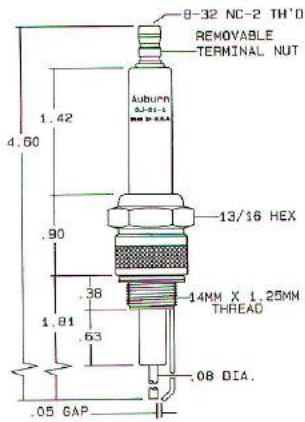
*Standard-Other Lengths Available Upon Request



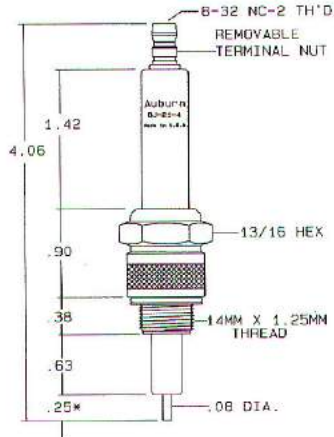
I-144

*Standard-Other Lengths Available Upon Request

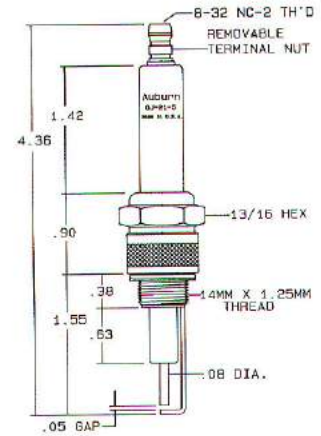
Igniters



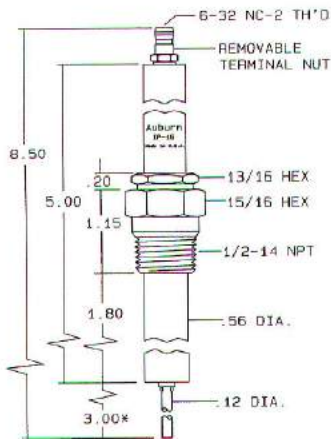
OJ-21-1
UL Recognized



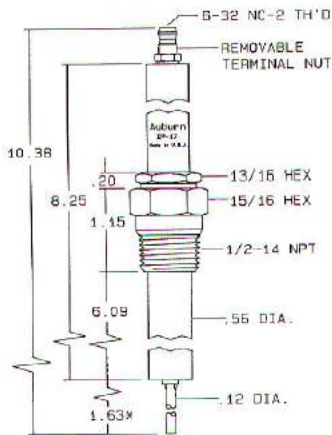
OJ-21-4
*Standard-Other Lengths Available Upon Request
UL Recognized



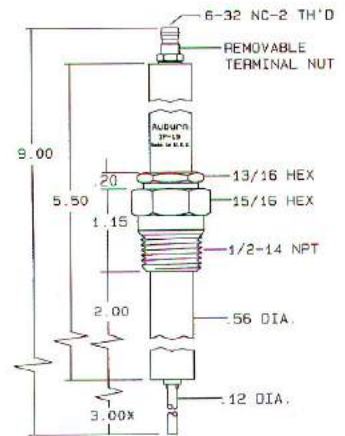
OJ-21-5



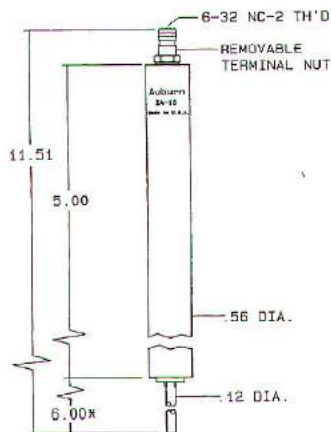
IP-16
*Standard-Other Lengths Available Upon Request



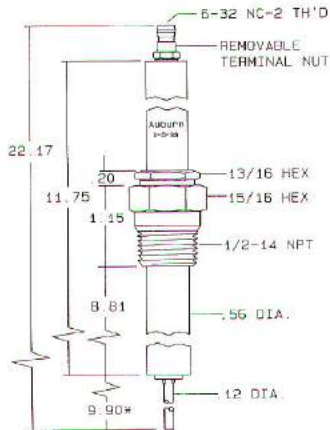
IP-17
*Standard-Other Lengths Available Upon Request



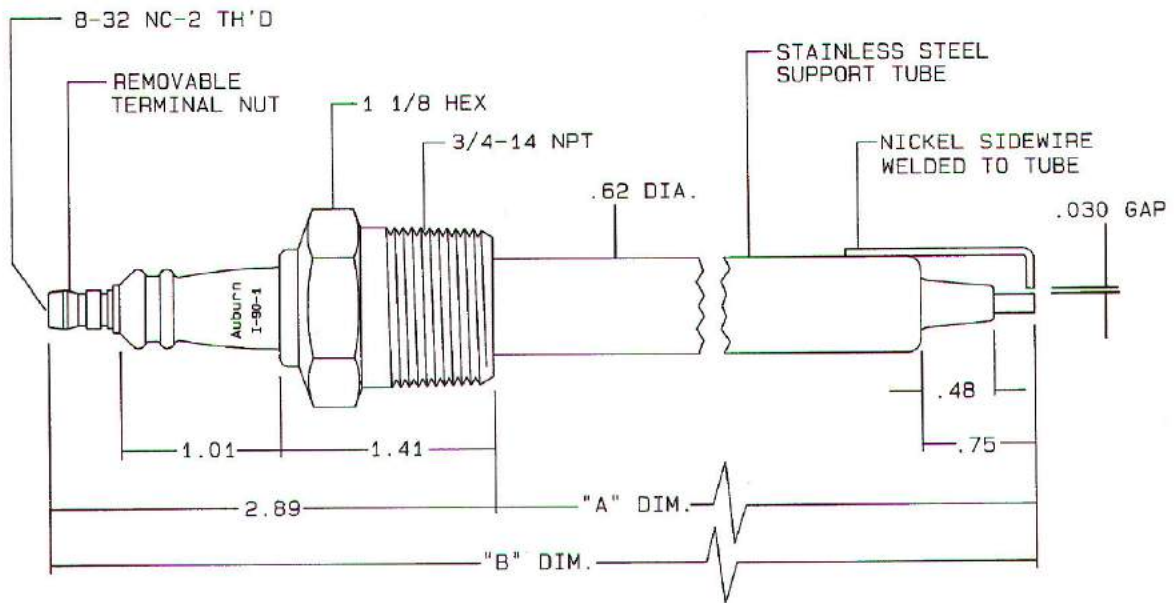
IP-19
*Standard-Other Lengths Available Upon Request



IA-16
*Standard-Other Lengths Available Upon Request



I-5-99
*Standard-Other Lengths Available Upon Request

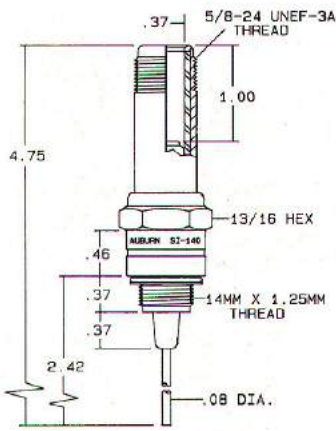


I-90 Series Shrouded Igniters

CATALOG NO.	"A" DIM. (in.)	"B" DIM. (in.)
I-90-1	4.250	7.140
I-90-2	6.000	8.890
I-90-3	9.000	11.890
I-90-4	7.375	10.265
I-90-5	9.937	12.827
I-90-6	12.125	15.015
I-90-7	10.000	12.890
I-90-8	15.750	18.640

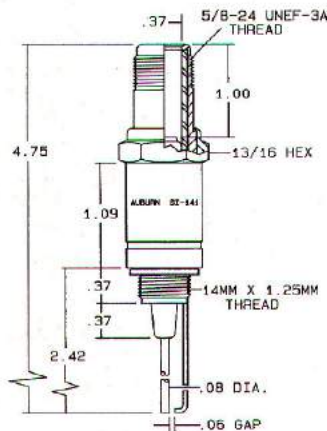
Different lengths available as factory specials

Igniters

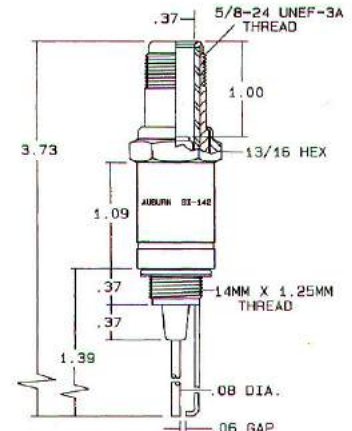


SI-140

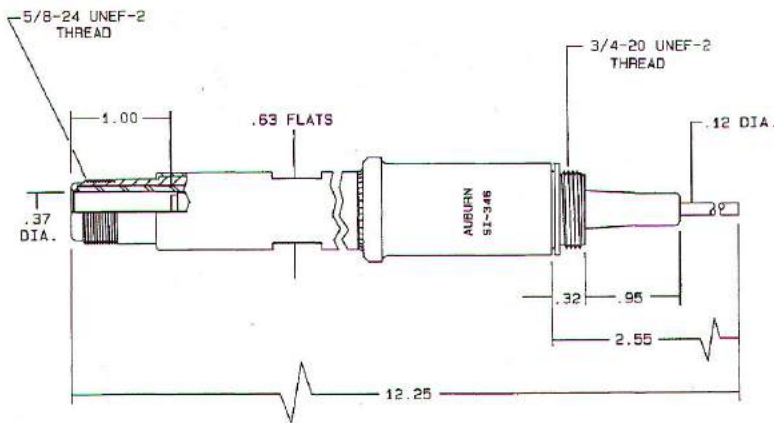
*Standard-Other Lengths Available Upon Request



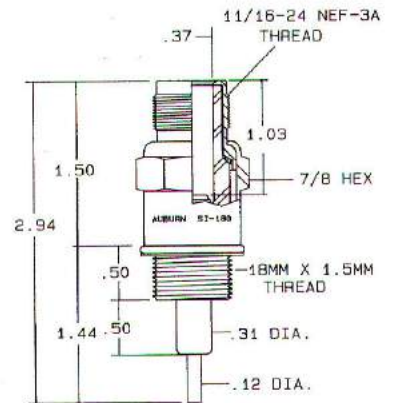
SI-141



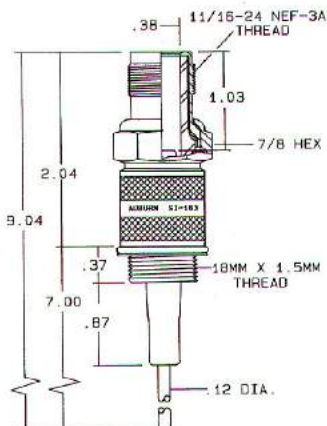
SI-142



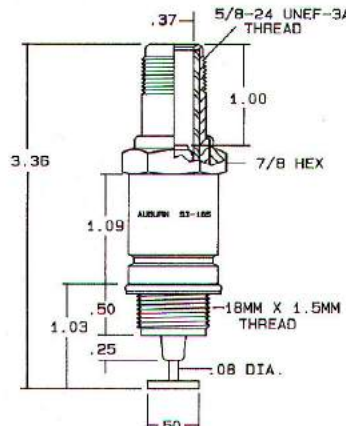
SI-346



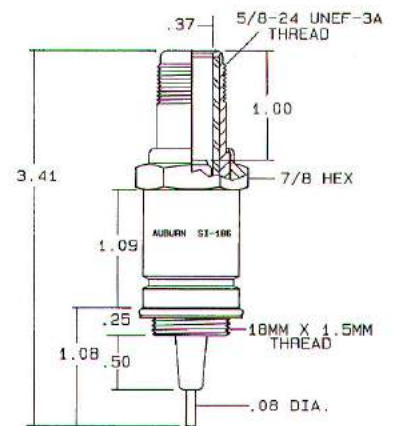
SI-180



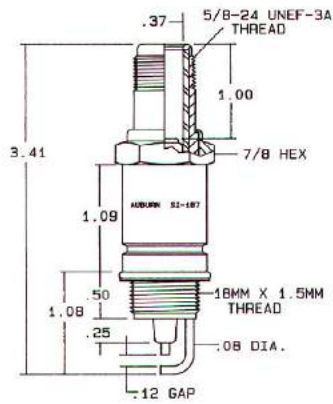
SI-183



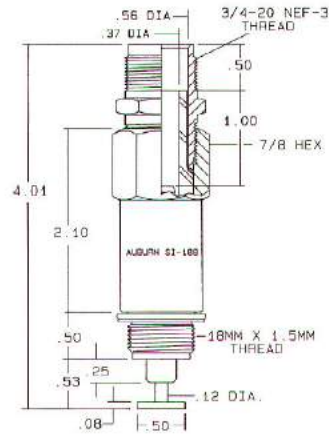
SI-185



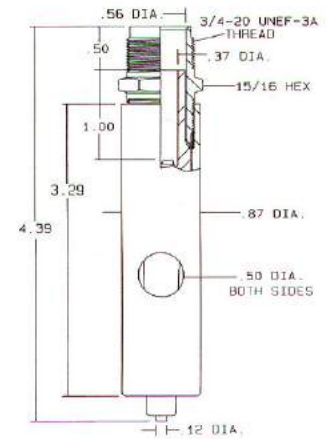
SI-186



SI-187

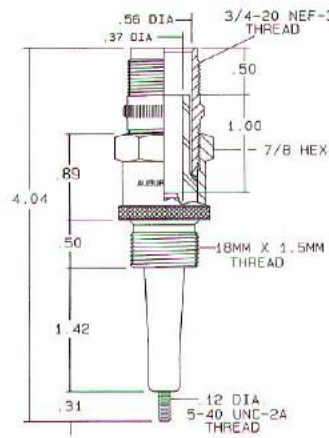
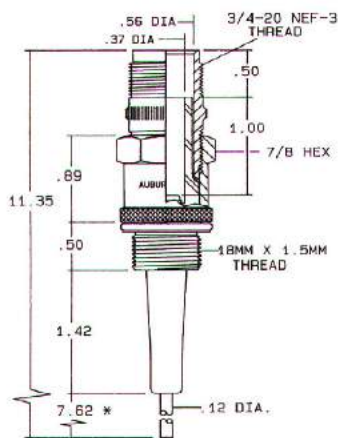


SI-188



SI-230

Note: H.R.A. Center Wire



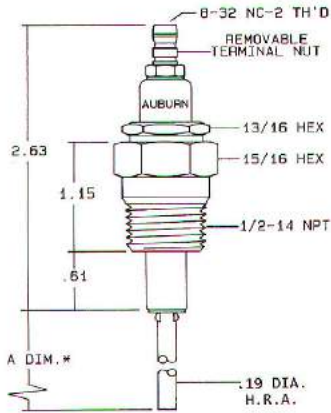
SI-322-1

CATALOG NO.	MATERIAL
SI-320	CRS (BLACK OXIDE)
SI-322	CRS-(CADMIUM PLATE)

SI-320/SI-322

*Standard—Other Lengths Available Upon Request

Flame Rods

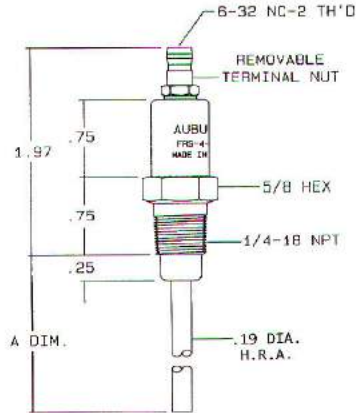


FRS-2	
1/2 NPT MOUNTING TH'D	
CATALOG NO.	A-DIM*
FRS-2-6	6"
FRS-2-12	12"
FRS-2-18	18"
FRS-2-24	24"

*Standard Stock Sizes
Other Sizes Available Upon Request
UL Recognized Flame Rod

FRS-2

Operating Temperature 2350°F
(Center Electrode Tip)

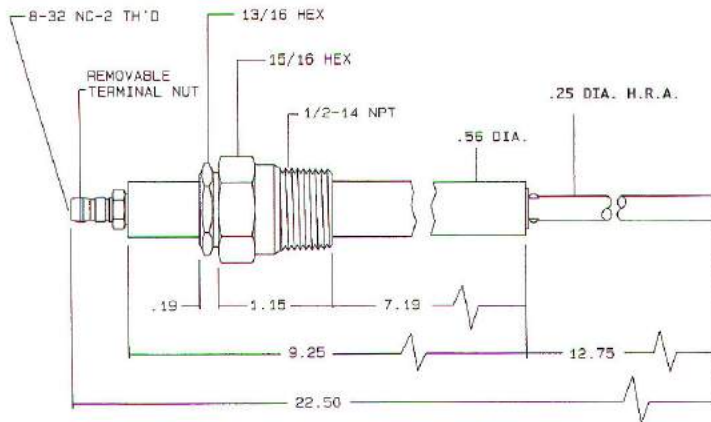


FRS-4

Operating Temperature 2350°F
(Center Electrode Tip)

FRS-4	
1/4 NPT MOUNTING TH'D	
CATALOG NO.	A-DIM*
FRS-4-4	4"
FRS-4-6	6"
FRS-4-12	12"
FRS-4-18	18"
FRS-4-24	24"

*Standard Stock Sizes
Other Sizes Available Upon Request
UL Recognized Flame Rod

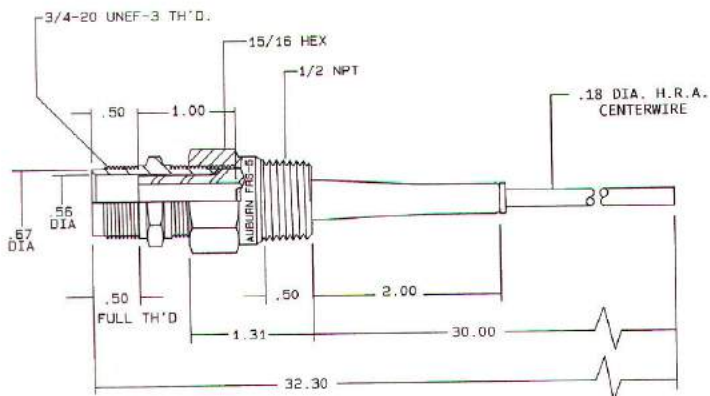


FRS-3

UL Recognized Flame Rod

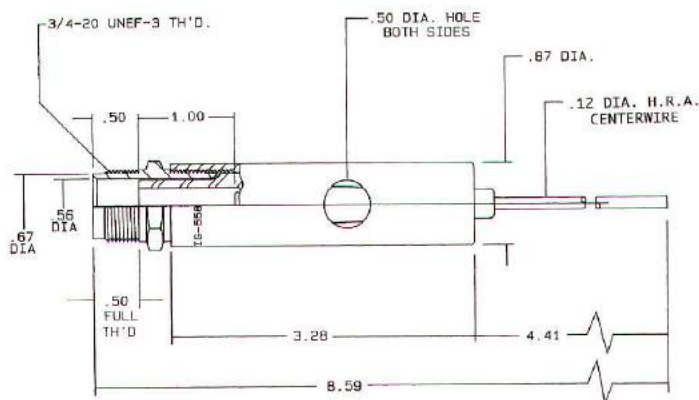
Note: H.R.A. (Heat Resistant Alloy)

Igniters and Flame Rods



FRS-5

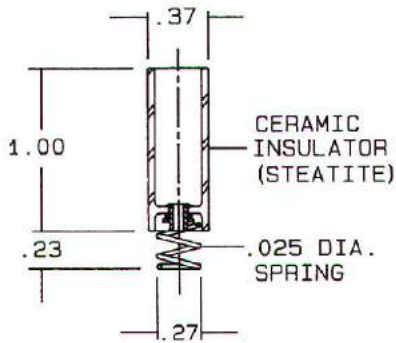
Operating Temperature 2350° F
 (Center Electrode Tip)



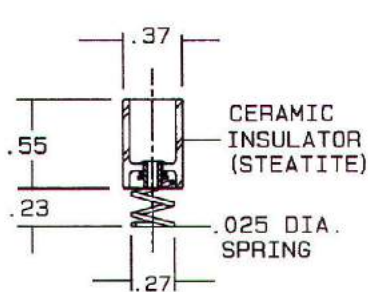
FRS-6

Operating Temperature 2350° F
 (Center Electrode Tip)

ACCESSORY ITEMS



1099-C



1041-C

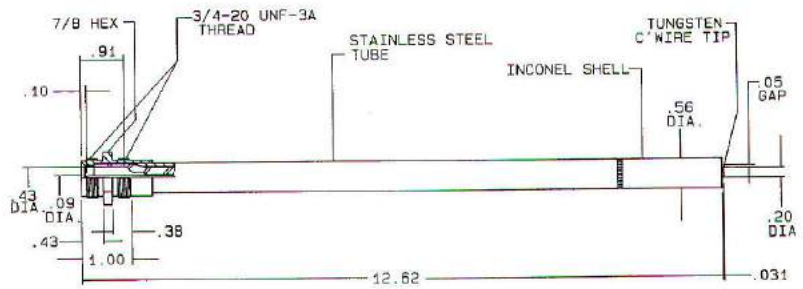


PROTECTOR BOOT		
USED ON	CATALOG NO.	MATERIAL
Flame Rods	02-2046	Black Silicone

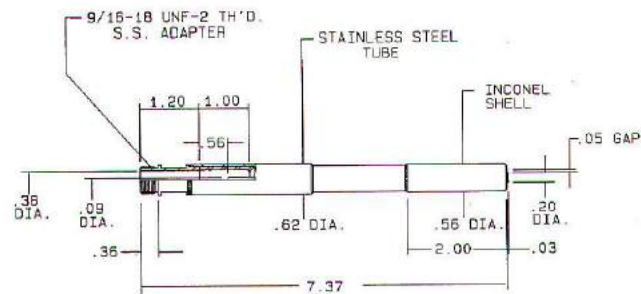
High Energy Igniters

Features

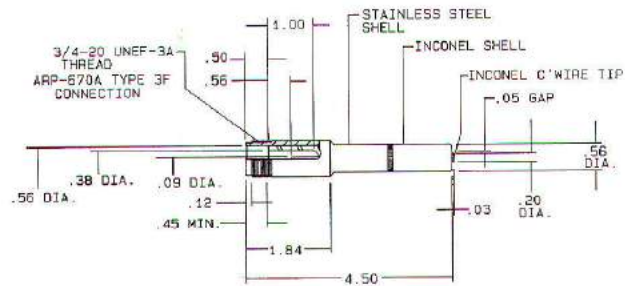
- Glass seals
- High temperature/low oxidation alloy electrodes
- High density materials for minimal spark erosion
- Homogeneous pellet type semi-conductor for extended service life
- Technology based on aviation designs
- Designed for optimum performance with 2,000 or 5,000 volt ignition systems



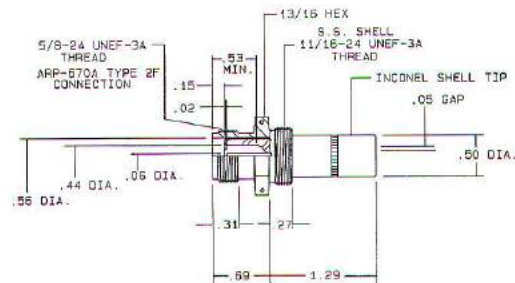
HE-76



HE-57



HE-75

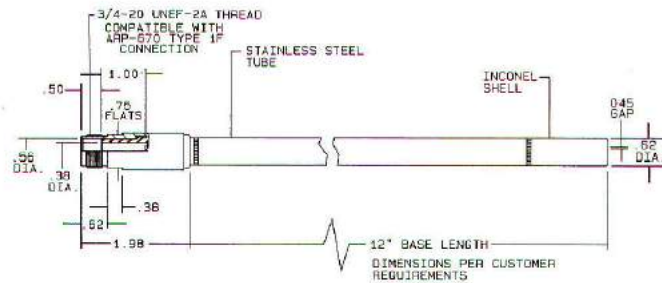


YB-63-1

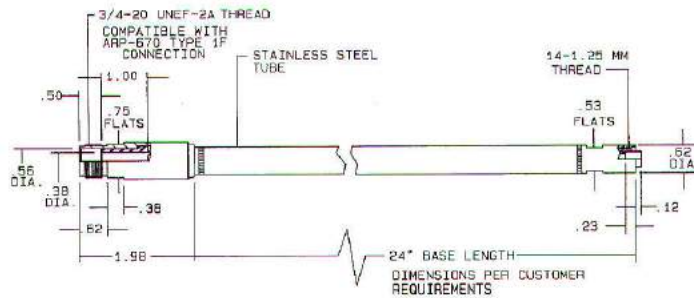
Long Reach High Energy Igniters

Features

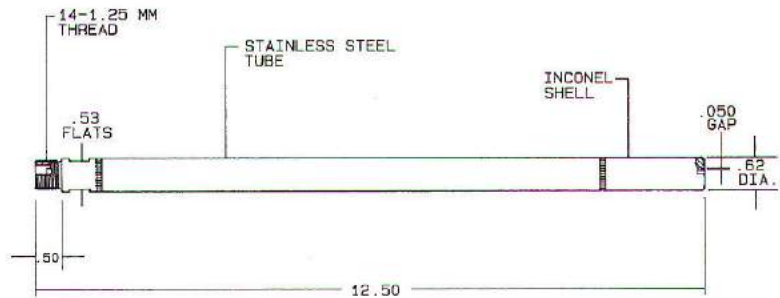
- Glass seals
- High temperature/low oxidation alloy electrodes
- High density materials for minimal spark erosion
- Single unit construction (HE-63) is available in lengths from 2 to 20 feet. A rod and tip assembly (HE-64 and 65) is available for a combined length of up to 34 feet
- Designed for optimum performance with 2,000 or 5,000 volt ignition systems



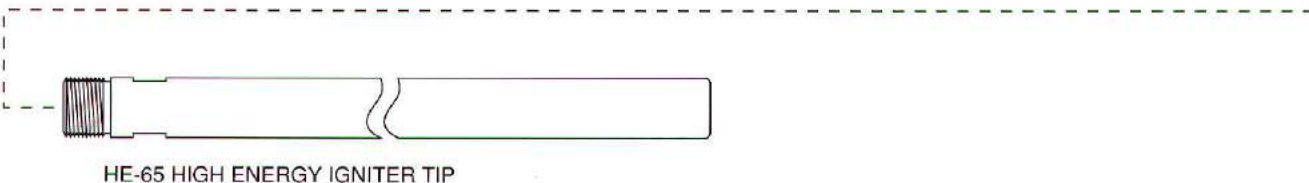
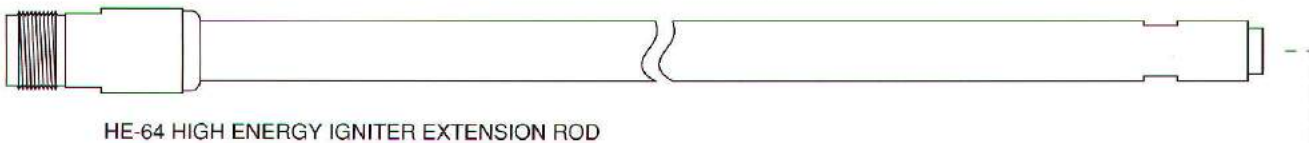
HE-63



HE-64



HE-65





Commitment to Quality

St. Auburn's commitment includes building the level of quality into the products that our customers deserve with the technology that they demand. This commitment addresses our customers' needs for quality, value, and on-time delivery.

Our people are dedicated to continued improvement, whether it be improved response time or improved process control. We are committed to improving continually the technology that already enables us to exceed the requirements specified.

The results of these efforts are that Auburn products provide consistent, reliable performance in applications that demand nothing less.

