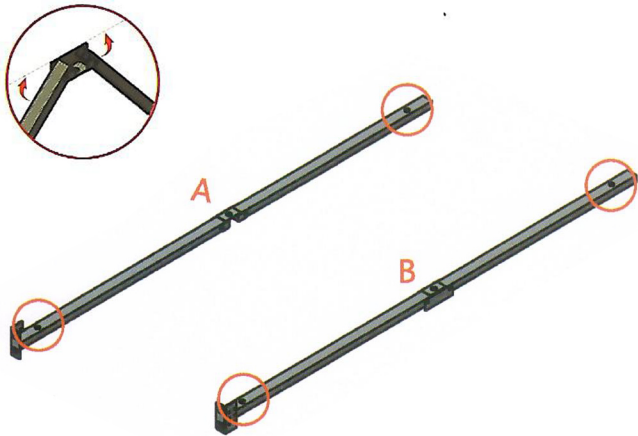
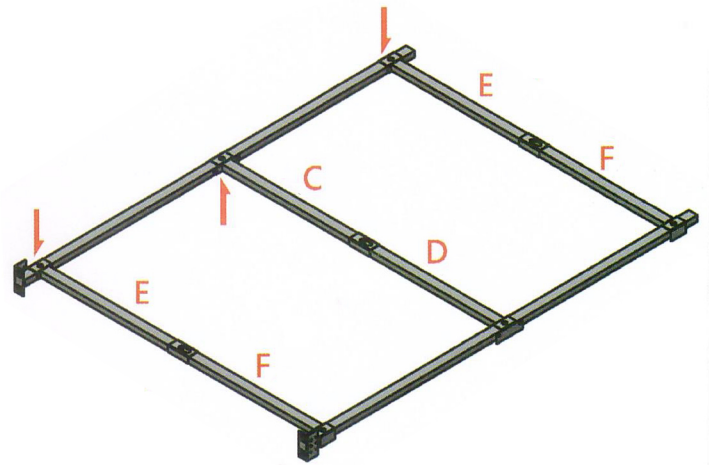


Platform Bed(F/Q/K) SET-UP INSTRUCTION

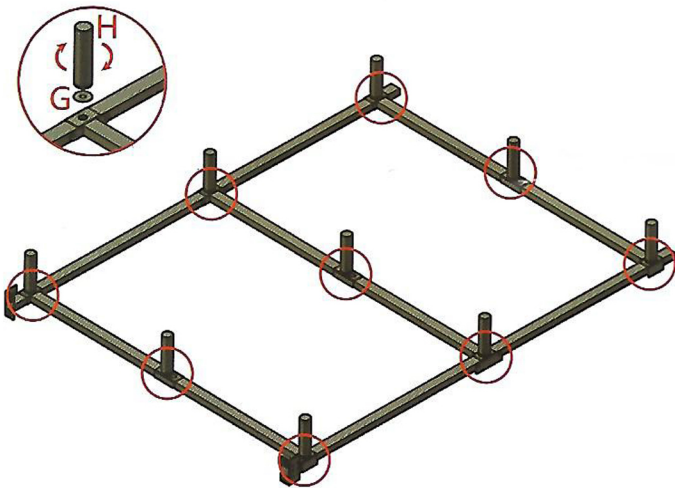


Make Sure the Screw Hole is Upward

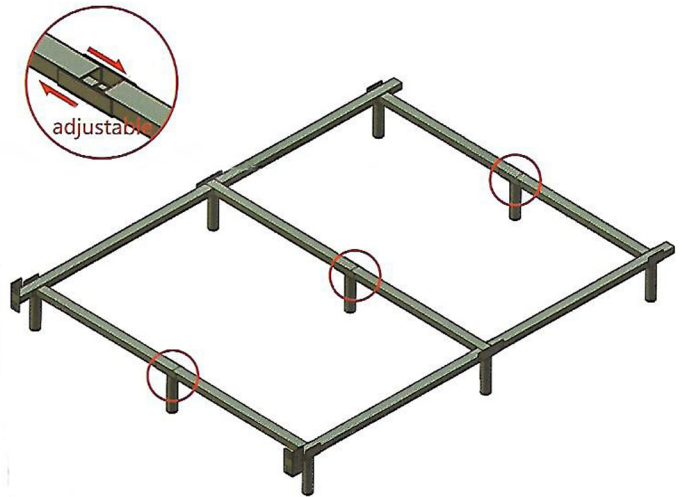
Step 1: Unfold and layout A&B as shown



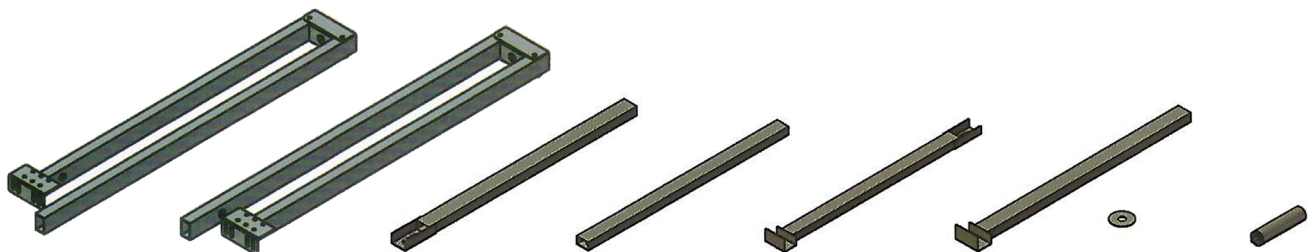
Step 2: Join C&D,E&F as shown



Step 3: With G Rotate and Tighten H as shown



Step 4: The joint of CD&EF can be adjusted as your needs, the adjustment range within 1 inch



A×1PCS B×1PCS

C×1PCS D×1PCS

E×2PCS

F×2PCS G×9PCS

H×9PCS