

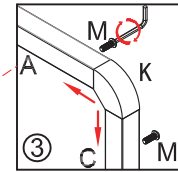
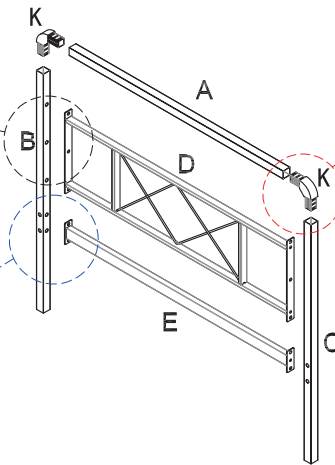
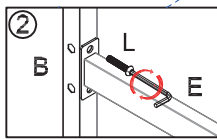
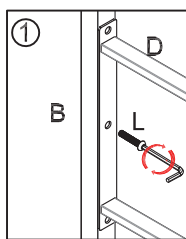


**Note:** Please tighten the bolts tightly, until they won't turn to avoid squeaking. Use of electric drill is recommended.

## Part List

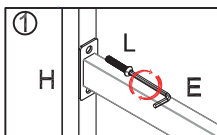
A*2 pcs	B*1 pcs	C*1 pcs	D*1 pcs	E*2 pcs	F*2 pcs
G*1 pcs	H*1 pcs	I*2 pcs	J*8 pcs	K*4 pcs	M8*12 L*31 pcs
					N*1 pcs

1

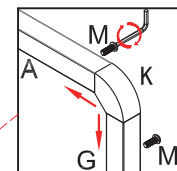
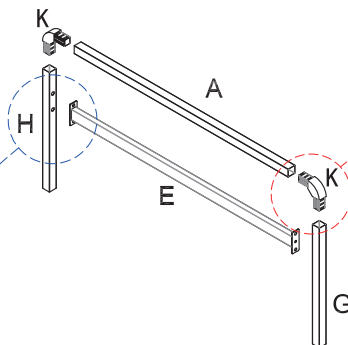


- 1、Layout A,K,B,C,D,E as shown:  
 ① Join B&D, C&D with Bolt L  
 ② Join B&E, C&E with Bolt L  
 ③ Join A&K&B, A&K&C with Bolt M to tighten

2

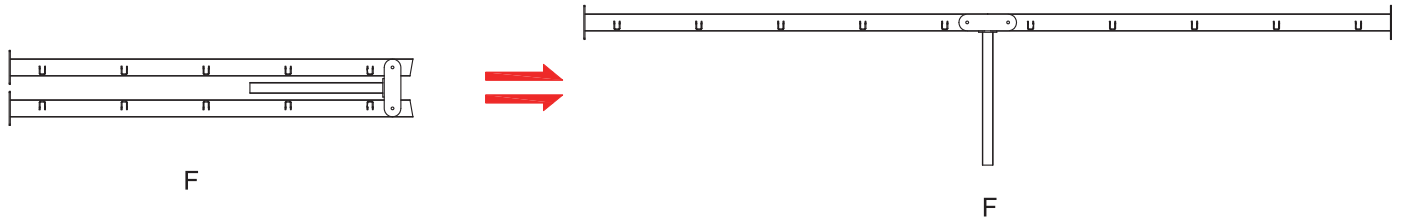


- ① Join H&E, G&E with Bolt L



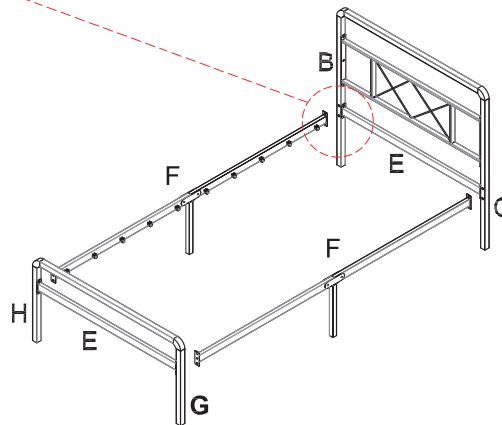
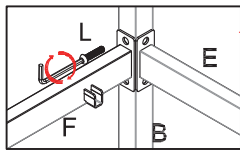
- 2、Layout A,K,H,E,G as shown:  
 ① Join H&E&G with Bolt L  
 ② Join A&K&H, A&K&G with Bolt M to tighten

3



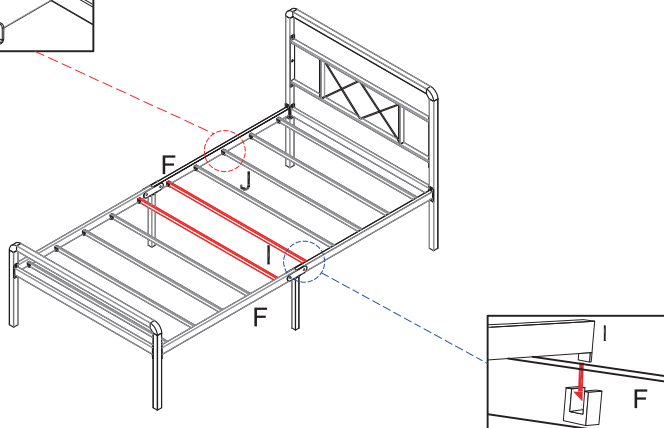
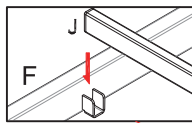
3、Unfold and Layout F

4



4.Join B&F&H,C&F&G with Bolt Las shown

5



5.Insert 2pcs I slats(with hooks) in the middle of bed frame, and insert the left 8pcs J slats