
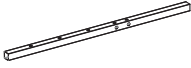
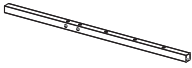








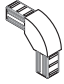




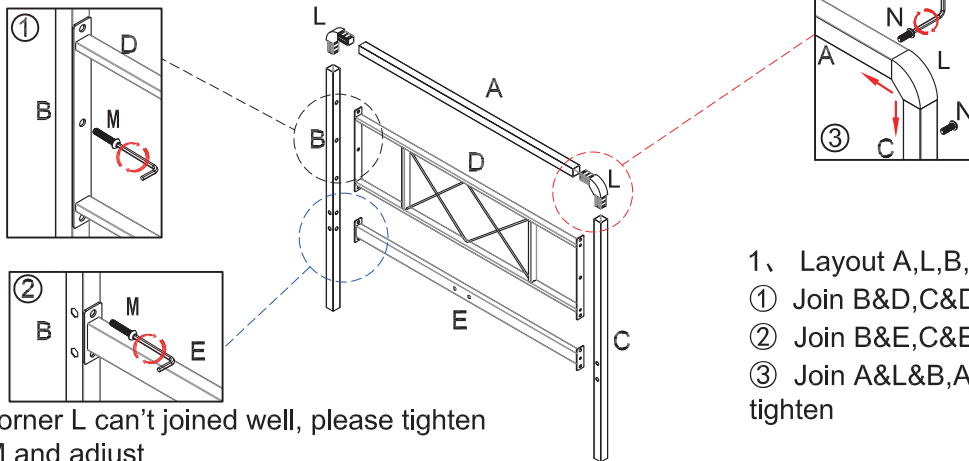


Note: Please tighten the bolts tightly, until they won't turn to avoid squeaking. Use of electric drill is recommended.

Part List

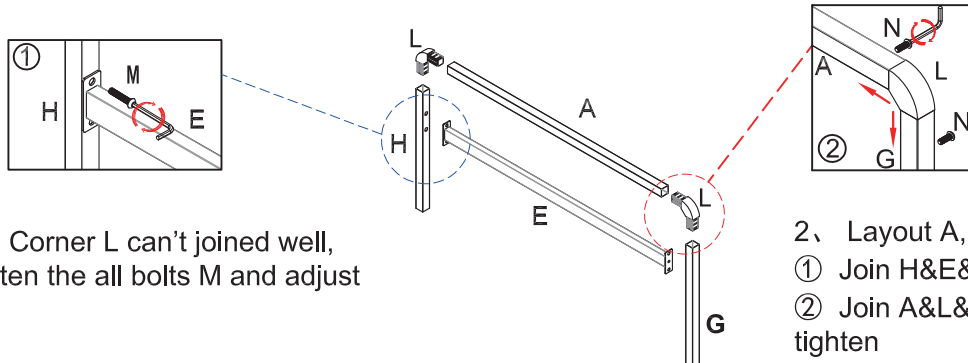
				
A*2 pcs	B*1 pcs	C*1 pcs	D*1 pcs	E*2 pcs
				
F*2 pcs	G*1 pcs	H*1 pcs	I*1 pcs	J*4 pcs
				
K*16 pcs	L*4 pcs	M*12 M*35 pcs	O*1 pcs	

1



- Layout A,L,B,C,D,E as shown:
 - Join B&D,C&D with Bolt M
 - Join B&E,C&E with Bolt M
 - Join A&L&B,A&L&C with Bolt N to tighten

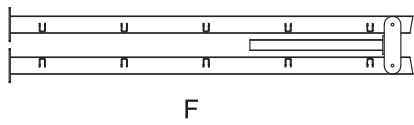
2



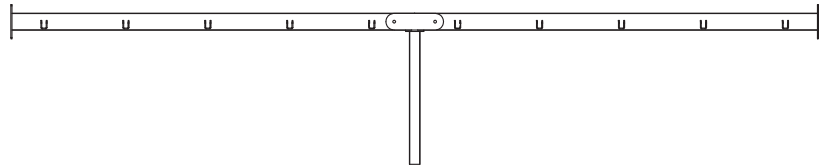
Note: If the Corner L can't be joined well, please tighten the all bolts M and adjust

- Layout A,L,H,E,G as shown:
 - Join H&E&G with Bolt M
 - Join A&L&H,A&L&G with Bolt N to tighten

3



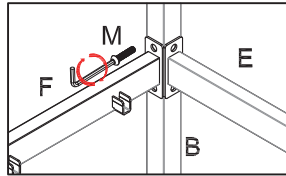
F



F

3.Unfold and Layout F

4

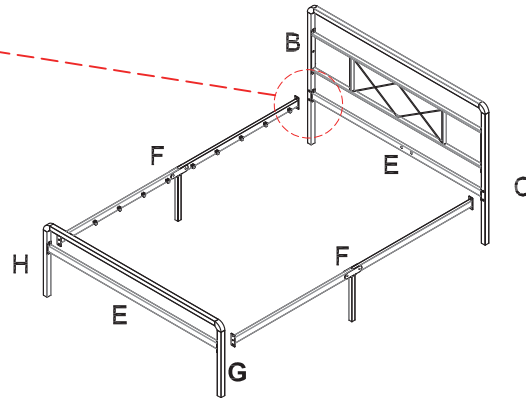


M

F

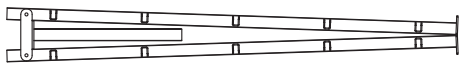
E

B

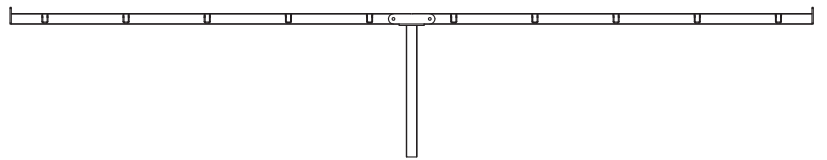


4.Join B&F&H,C&F&G with Bolt M as shown

5



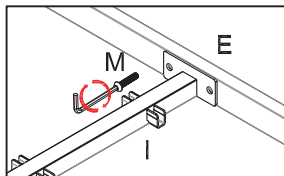
I



I

5.Unfold and Layout I

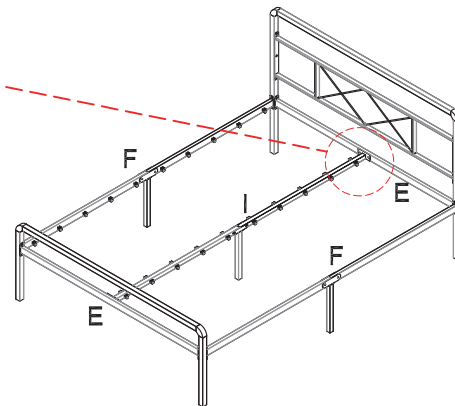
6



M

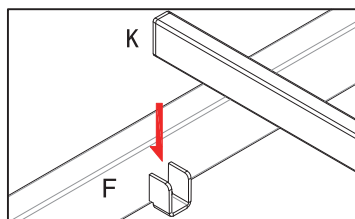
E

I



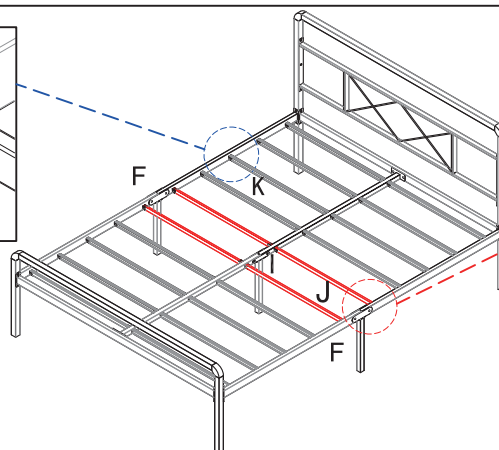
6.Join E&I with Bolt M

7



K

F

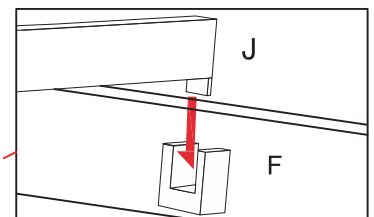


K

I

J

F



J

F

7.Insert 4pcs J slats(with hooks) in the middle of bed frame, and insert the left 16pcs K slats