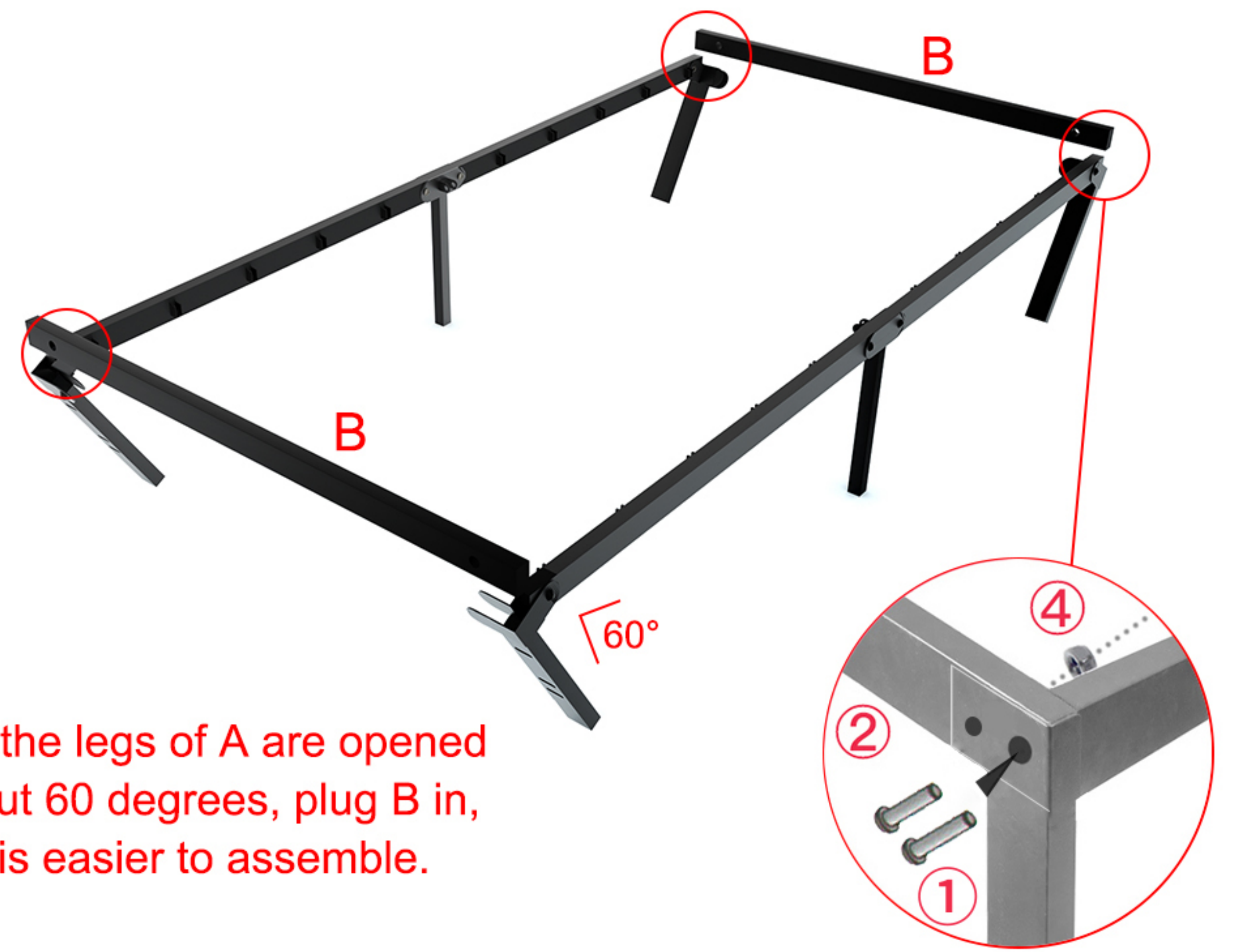
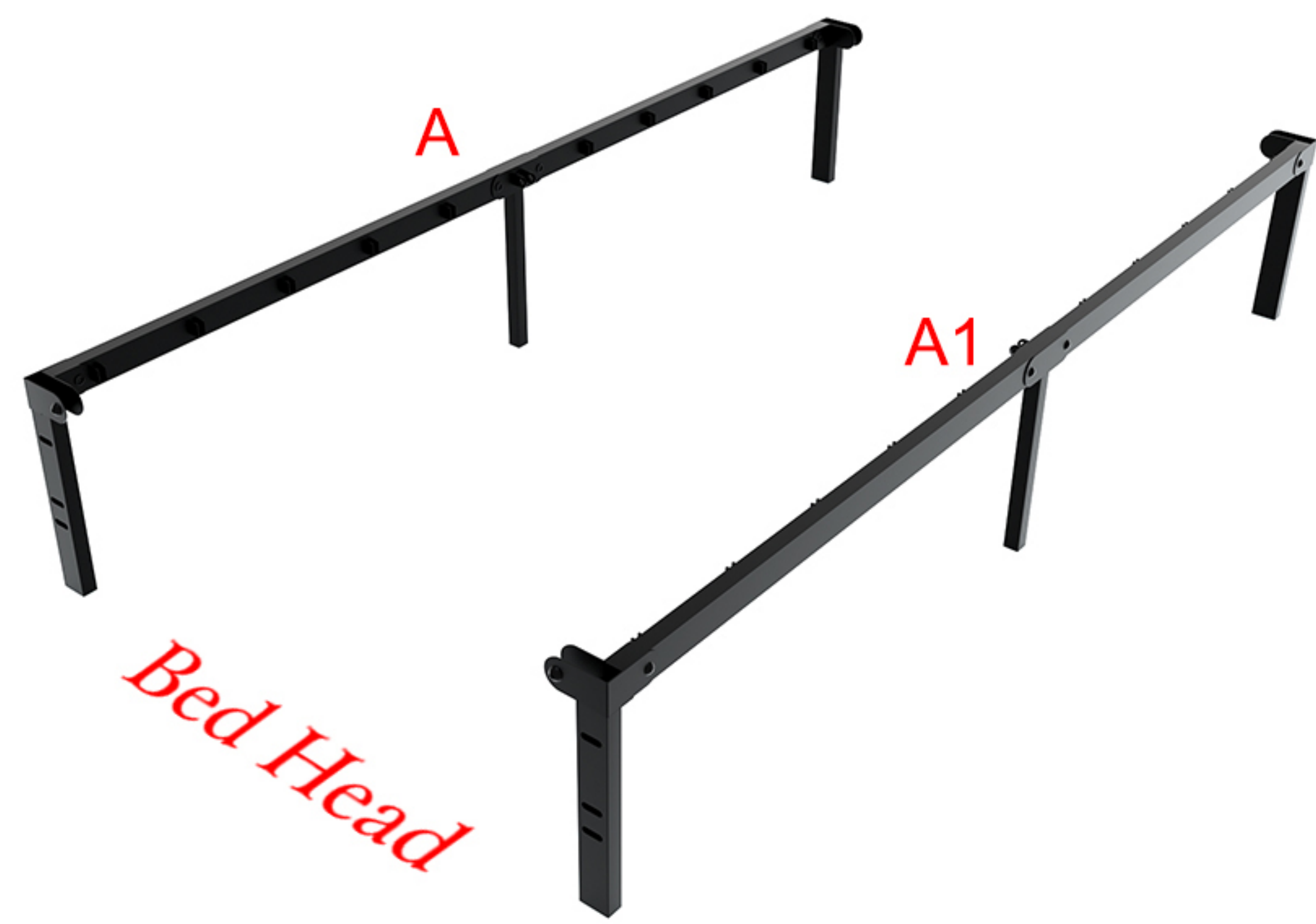


Platform Bed(T/TXL) SET-UP INSTRUCTION

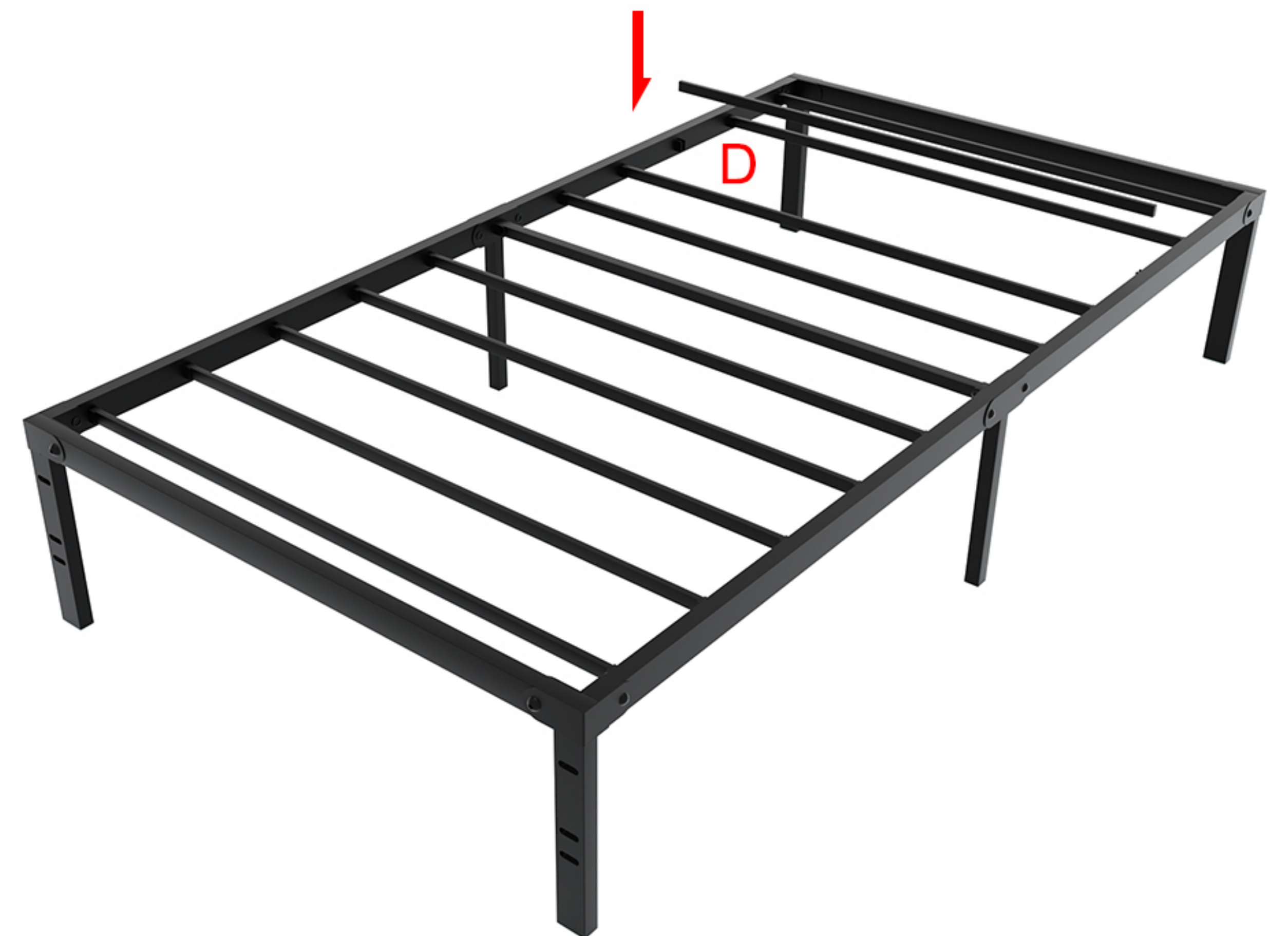
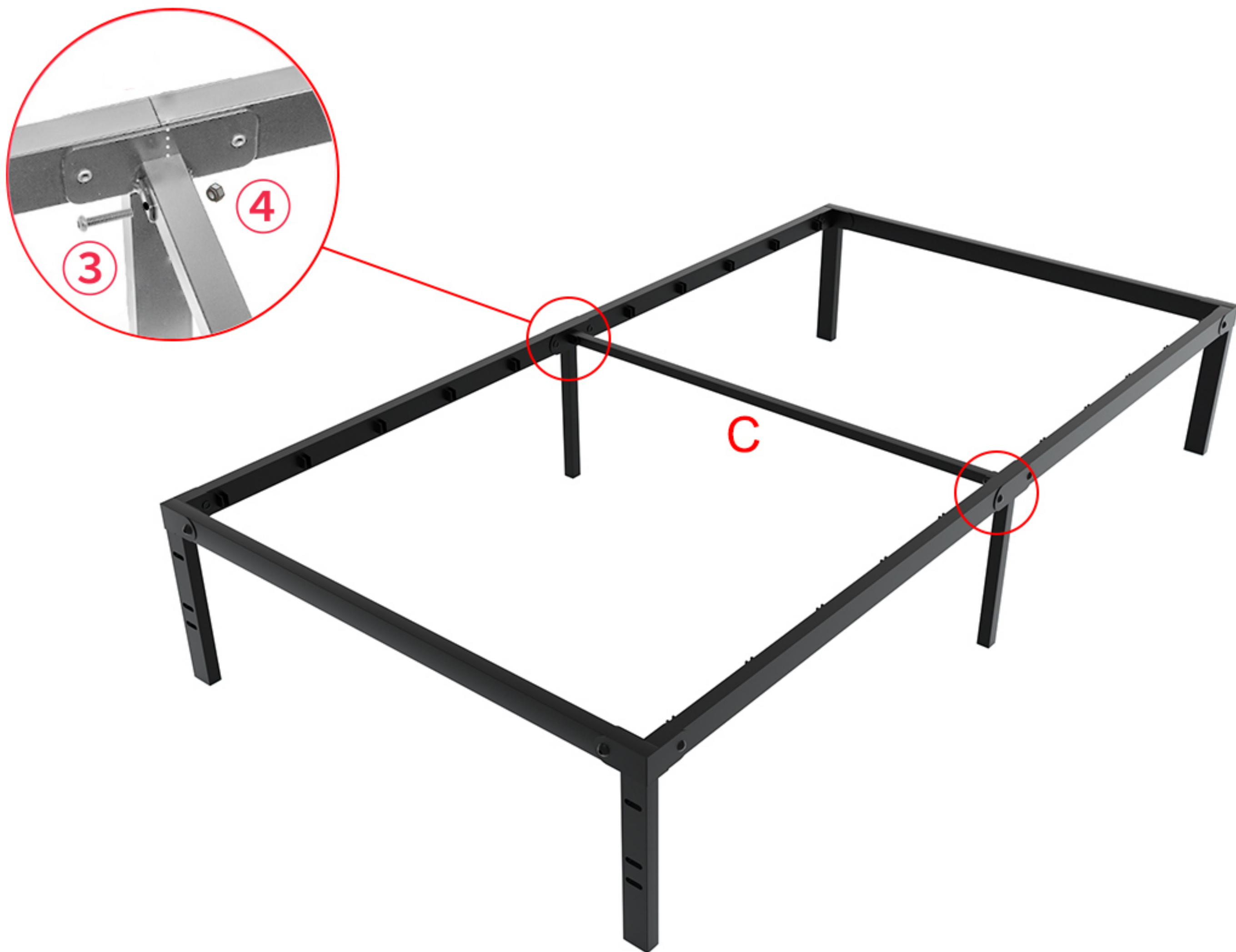
Any questions, please contact: support@amobro.com



When the legs of A are opened to about 60 degrees, plug B in, which is easier to assemble.

Step 1 : Unfold and layout A as shown

Step 2 : Join B to the A with Bolt ①,② & Nut ④ as shown



Step 3 : Join C to the A with Bolt ③ & Nut ④ as shown

Step 4 : Insert 10 D slats, complete

