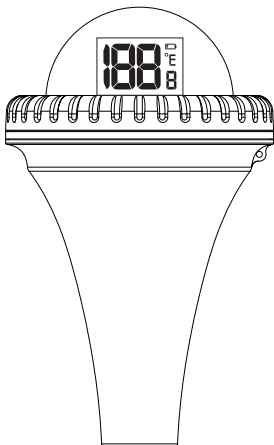




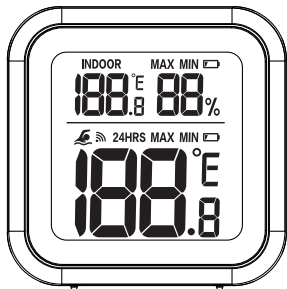
**RainPoint**  
More Than Water Saving

Smart<sup>+</sup> Garden Irrigation System

# USER MANUAL



HS528



HS015

Welcome to the **RAINPOINT** family! Please read the manual before using and save this for future reference.



Web: [www.rainpointonline.com](http://www.rainpointonline.com)



Email: [service@rainpointus.com](mailto:service@rainpointus.com)



US Free Hotline(English): +1 833-381-5659  
(MON-FRI 9:30 AM-5:30 PM PST)

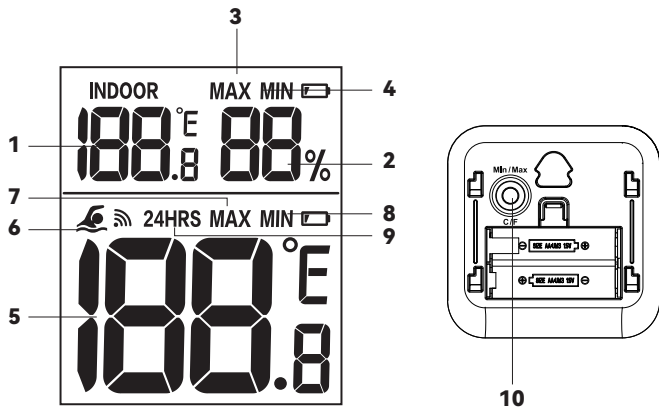


**CONTENTS**

1. PRODUCT OVERVIEW .....	01
1.1 Receiver .....	01
1.2 Pool Thermometer .....	02
1.3 TEMPERATURE AND HUMIDITY .....	02
2. QUICK SET-UP GUIDE .....	02
2.1 Insert Batteries into the Receiver .....	03
2.2 Connect to pool thermometer .....	03
3. LOW BATTERY INDICATOR .....	04
3.1 Receiver .....	04
3.2 Pool Thermometer .....	05
4. TROUBLE SHOOTING .....	05
5. WARRANTY .....	06
6. FCC Statement .....	07

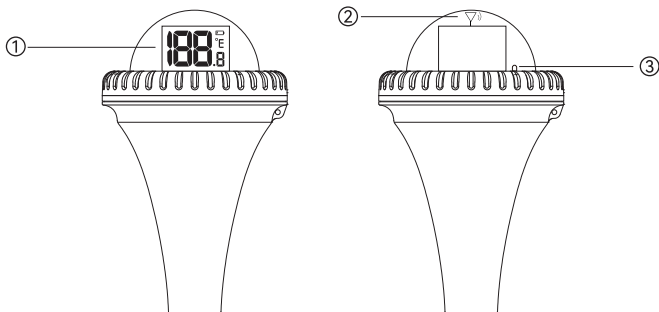
# 1.PRODUCT OVERVIEW

## 1.1Receiver



01. Indoor Temperature
02. Indoor Humidity
03. Max/Min Records of Indoor Temperature and Humidity
04. Low Battery Indicator of Receiver
05. Pool Temperature
06. Signal indication
07. Max/Min Records of pool thermometer
08. Low Battery Indicator of pool thermometer
09. Max/Min Records in 24HRS
10. Check Max/Min Records and change unit C/F

## 1.2 Pool Thermometer



1. LCD DISPLAY: Pool temperature
2. The antenna: Transmit the signal
3. LED Indicator

## 1.3 TEMPERATURE AND HUMIDITY

### Receiver

Indoor temperature range 14°F ~ 122°F (-9.9°C ~ 50°C)

Indoor humidity range 1%-99%

### Pool thermometer

Temperature range 14°F ~ 122°F(-9.9°C ~ 50°C)

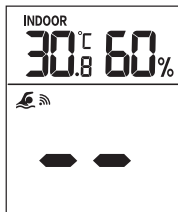
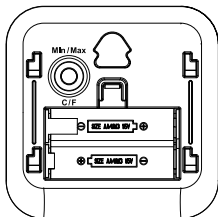
## 2. QUICK SET-UP GUIDE

NOTE: Please use brand new alkaline batteries. Do not mix old and new batteries. Heavy duty or rechargeable batteries are not recommended. Please install the alkaline for receiver first, then install the alkaline for pool thermometer.

## 2.1 Insert Batteries into the Receiver

Power on the Receiver with 2\*AA alkaline batteries.

(please take note of the battery polarity before inserting the batteries).



### MANUAL SETTINGS

Min/Max,C/F BUTTONS:

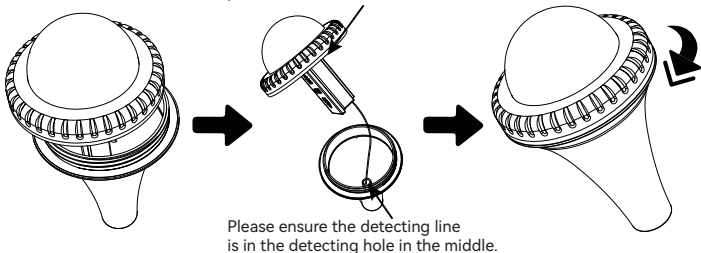
- Press the button to check MAX/MIN TEMPERATURE & HUMIDITY RECORDS.
- Hold the button to select Celsius °C or Fahrenheit °F.

## 2.2 Connect to pool thermometer

Then power on the pool thermometer with 2\*AA alkaline batteries and wait for auto pairing.

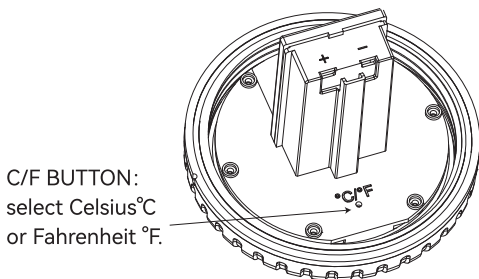
(please take note of the battery polarity before inserting the batteries).

Ensure that the ring seal is in the correct position before installation and use.

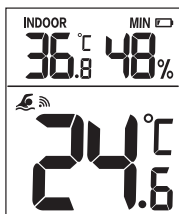


Please ensure the detecting line is in the detecting hole in the middle.

Install the waterproof loop, then close and tighten the cover of the pool thermometer to prevent water ingress.



Please remove and reinsert the pool thermometer batteries if the receiver shows dashes.



\* Note:

It will take 15 minutes for the pool thermometer to reach the accurate temperature.

## 3. LOW BATTERY INDICATOR

### 3.1 RECEIVER

- (1). When Battery Indicator shows next to the Indoor humidity, replace batteries in your receiver.
- (2). When Battery Indicator shows next to the pool temperature, replace batteries in your pool thermometer.

### 3.2 POOL THERMOMETER

- (1). When Battery Indicator shows on the pool thermometer replace batteries.

## 4. TROUBLE SHOOTING

Problem	Possible Solution
<p>Pool thermometer signal is disconnected or showing dashes (- -) on the receiver.</p>	<ol style="list-style-type: none"> <li>1. Please remove and reinsert the pool thermometer batteries. If it still disconnected please replace with new batteries and try again.</li> <li>2. The maximum transmission range is 328ft/100m, move the receiver closer to the pool thermometer.</li> <li>3. Make sure the receiver is placed at least 3ft/0.9m away from electronics that may interfere with the wireless communication, such as computers, TVs, microwaves, other wireless transmitters or other receivers, etc.</li> </ol>
<p>Inaccurate pool temperature readings on the receiver</p>	<p>When the temperature is inaccurate, it is often due to overpowered/under powered batteries. You can test the accuracy at you home.Side-by-side test: Bring the pool thermometer in the house and place it next to the receiver for 2 hours.</p> <ul style="list-style-type: none"> <li>• Temperature:Compare indoor and pool temperature. The temperature should be within 4°C to be within tolerance.</li> </ul>



## 5. WARRANTY

Dear customer,

Thank you for choosing BALDR. We provide 3-year limited warranty warranty on this product from the date of purchase. This product has undergone thorough quality inspection at the factory to ensure that the product is in good condition. We will remedy all defects in workmanship or materials within the warranty period.

In order for the warranty to be granted, all warranty claims must be accompanied by proof of purchase from an authorized distribution partner. Damages due to improper installation or use, unauthorized removal/modify/repair are not covered by the warranty.

If you have any problems with this product or during use, please do not hesitate to contact us, we will try our best to solve it and offer you satisfactory service including replacement or refund.

For Full Warranty Details, contact us by:



Email: [service@rainpointus.com](mailto:service@rainpointus.com)



US FREE HOTLINE: 1-833-381-5659  
Mo-Fr: 9:30 AM- 5:30 PM PST

## 6. FCC STATEMENT

This device complies with part 15 of FCC rules. Operation is subject to the following two conditions:

- 1- This device may NOT cause harmful interference, and
- 2- This device must accept any interference received, including interference that may cause undesired operation.

### WARNING:

Changes or modifications to this unit not expressly approved by the party responsible for compliance could void the user's authority to operate the equipment.

NOTE: This equipment has been tested and found to comply with the limits for a Class B digital device, pursuant to Part 15 of the FCC rules. These limits are designed to provide reasonable protection against harmful interference in a residential installation. This equipment generates, uses and can radiate radio frequency energy and, if not installed and used in accordance with the instructions, may cause harmful interference to radio communications. However, there is no guarantee that interference will not occur in a particular installation. If this equipment does cause harmful interference to radio or television reception, which can be determined by turning the equipment off and on, the user is encouraged to try to correct the interference by one or more of the following measures:

- Reorient or relocate the receiving antenna.
- Increase the separation between the equipment and the receiver.
- Connect the equipment into an outlet on a circuit different from that to which the receiver is connected.
- Consult the dealer or an experienced radio/TV technician for help.

NOTE: The manufacturer is not responsible for any radio or TV interference caused by unauthorized modifications to this equipment. Such modifications could void the user authority to operate the equipment.

## 7. CUSTOMER SUPPORT

If you find it difficult to set up and want to watch the setting tutorial video, please subscribe to our channel RainPoint on YouTube.



Or scan the QR code to visit the RainPoint channel on YouTube quickly.

If the app and the user manual don't have what you're looking for, and need some help about Rainpoint, please contact us by

LOT NO.: XXXXX (on the back of the device)

US Free Hotline(English): +1 833-381-5659

(MON-FRI 9:30 AM-5:30 PM PST)

Email:service@rainpointus.com



Made in China



Points de collecte sur [www.quefairedesdechets.fr](http://www.quefairedesdechets.fr)  
Privilégiez la réparation ou le don de votre appareil !

