

尺寸:100×130mm

### Moisture Sensor + Indoor Monitor TCS005ARF+ RD135 User Manual



**RainPoint**  
Smart Irrigation Expert  
www.rainpointus.com

#### Main Manual

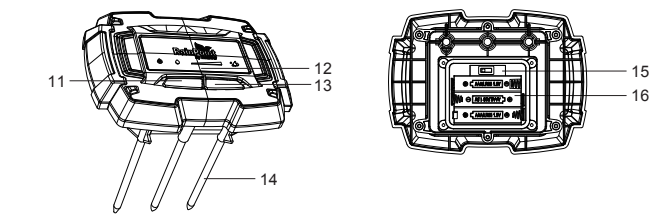
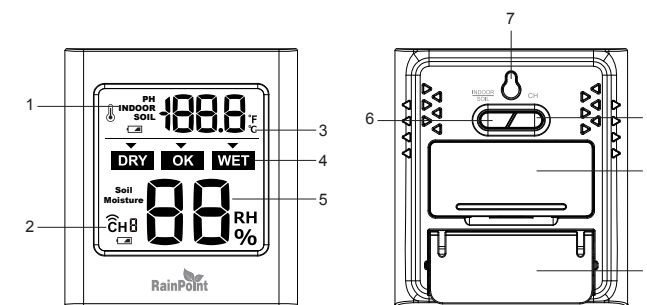
- i. Production Overview
  - 1. Product Content
  - 2. Product Appearance
- ii. Illustrated Operating Instructions
  - 1. LCD Overview
  - 2. Button Functions
  - 3. Operating Steps
- iii. Technical Parameters of the device
- iv. Warranty
- v. Warnings

#### i. Production Overview

##### 1. Packaging Content

Soil Moisture Sensor TCS005ARF x 1,  
Indoor Monitor RD135 x 1  
User Manual x 1;

##### 2. Product Appearance



- 1. Indoor Temperature/Soil Temperature
- 2. Low battery indication of soil sensor
- 3. C/F switchable
- 4. Soil Moisture Levels: DRY, OK, WET
- 5. Soil Humidity
- 6. INDOOR/SOIL TEMPERATURE
- 7. Hanging Hole
- 8. CH SWITCHABLE C/F SWITCHABLE
- 9. BATTERY COMPARTMENT
- 10. STAND BRACKET
- 11. LEFT BUTTON
- 12. LED LIGHTS INDICATION
- 13. RIGHT BUTTON
- 14. MOISTURE PROBES
- 15. CH CHANNEL SLIDE SWITCH
- 16. BATTERY COMPARTMENT

#### ii. Button Functions

##### RD135

INDOOR/SOIL: Press and switch display indoor or soil temperature  
CH: Press and switch display soil sensor channel 1,2,3  
Press and hold to switch C / F

##### TCS005ARF

LEFT AND RIGHT BUTTON: Press and hold the left and right buttons at the same time to wake up the program.  
RIGHT BUTTON: Check the current soil moisture level.  
CH: Switch and display channel 1,2,3.

#### Operating Steps

1. Screw off the battery door and install the batteries to the soil sensor. After installing the batteries, the GREEN LED light will turn on for few seconds.



2. The right key is confirm button /check current moisture sensor button.



3. Press and hold the two buttons for 5 seconds, user can wake up the program, the LED light will show the current soil moisture level. The first LED light for low battery indicator. The rest 5 LED lights indicate 5 levels of soil moisture levels: 20%, 40%, 60%, 80% and 100% ( Volume Water Content).



- 4. After installing the batteries, the indoor monitor RD135 will start RF signal searching. The signal search process will last 1minute.
- 5. Press INDOOR/SOIL button to switch display Indoor or soil temperature.
- 6. Press and hold INDOOR/SOIL button to switch C / F .
- 7. Press the CH button to switch display CH1-CH2-CH3.
- 8. Press and hold the CH button to reactivate the RF signal search.
- 9. The temperature will display LL when the temperature is lower than -10 C and display HH when the temperature is higher than 60 C .
- 10. Soil moisture level indication  
"DRY" icon: soil humidity lower than 20% RH  
"OK" icon: soil humidity between 20%RH-60%RH  
"WET" icon: soil humidity higher than 70% RH
- 11. Low battery indication of soil sensor and indoor monitor

#### iii. Technical Parameters of the device

Indoor temperature range: -10 C -60 C ( 14 F -140 F )  
Soil temperature range: -10 C -60 C ( 14 F -140 F )  
Soil humidity range: 0%RH-100%RH  
Data is updated every 6 minutes  
Power Supply:  
RD135: 2xAAA batteries ( not included )  
TCS005ARF: 3xAAA batteries ( not included )

#### iv. Warranty

The warranty aims for the problem of non-artificial damage and provides a one-year warranty from the date of leaving the factory.

#### V. WARNING

- 1. Under freezing temperatures, soil sensor should be stored indoors to avoid potential freezing damage.
- 2. The indoor monitor only for indoor use.