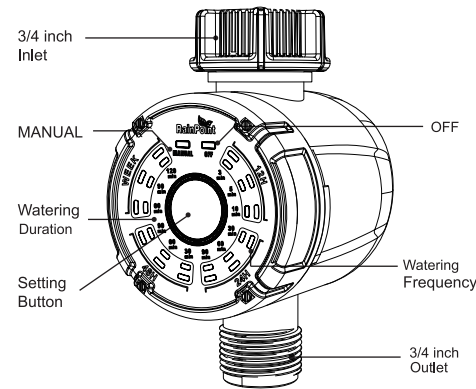


# size: 350x80mm

## ONE-TOUCH DIGITAL WATER TIMER

# USER MANUAL

ITV102P-V1



### TECHNICAL DATA

Watering Frequency	12Hours/24Hours/48Hours/Week
Watering Duration	3-10Min, 30-90Min, 60-120Min
Max working pressure	8Bar(120PSI)
Working temperature	3°C-50°C(38°F-120°F)
Waterproof	IP54
Max flowing	35L/Min
Battery	3*AAA Alkaline Batteries
Battery life	Approx.1 year

### WARNINGS

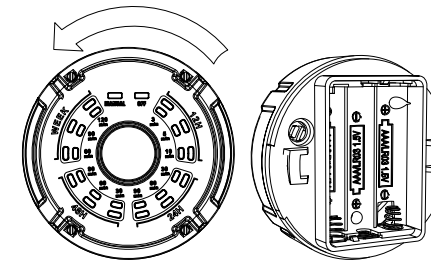
- Low Battery: The timer will stop working and the LED indicator (OFF) flashes red when battery power is low
- Do not expose timer to frost
- Only use clear fresh cold water
- Remove and store the timer in a dry place during the winter.
- Replace all batteries at the same time and reset the parameters.

### BATTERY INSTALLATION

You better use Alkaline batteries - alternatives will result in incorrect operation.

Unscrew the controller by hand from the housing of water timer, remove the cap of the battery compartment positioned on the back side of the cover, being sure that the battery compartment is clean.

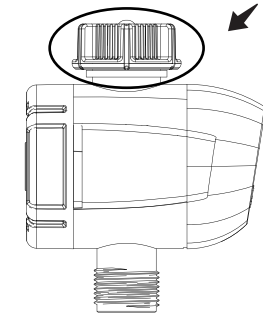
Insert 3\*1.5V AAA alkaline batteries(not included) in the battery compartment.(Warning:Make sure to follow the right polarity as indicated in the compartment.)



Close properly the battery compartment and replace the front cover, making sure correct position of the cable to avoid compromising their integrity and functionality of the unit control. After power-on, all LED lights turn on for 1 second and then go out. After the light is off, follow-up operation can be carried out.

### TIMER INSTALLATION

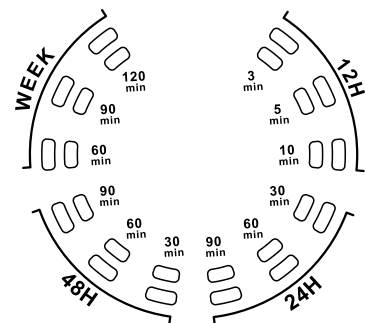
Screw sleeve nut of the water timer on to the outdoor hose faucet and tighten firmly to avoid leaks.



### WATERING TIME AND WATERING FREQUENCY

- 3min , 5min , 10min watering time for Every 12Hours.
- 30min , 60min , 90min watering time for Every 24Hours.
- 30min , 60min , 90min watering time for Every 48Hours.
- 60min , 90min , 120min watering time for Every Week.

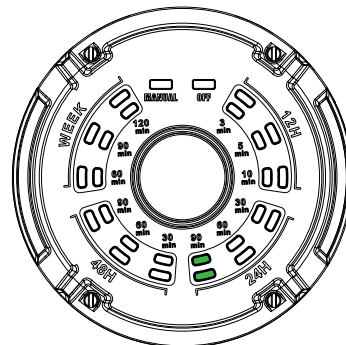
Total 12 Plans for easy scheduled your drip system.



### SET WATERING DURATION AND FREQUENCY

Install batteries and the LED light flash, press the setting button and the LED starts to move clockwise. You can select the specified watering duration.

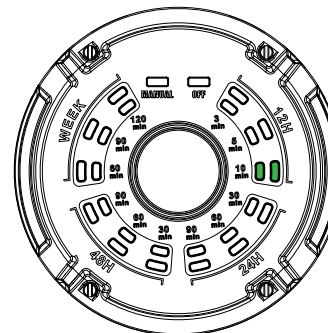
For example, the following figure shows 90 minutes watering duration and 24 hours watering frequency.



### START WATERING

After setting the watering duration and frequency, wait for 4 seconds, the LED light will start flash with a sound "Da", the valve in the timer is opened. During watering, the LED light will flash every 4 seconds until the end of watering.

Example: The picture below shows watering for 10 minutes every 12 hours.



### STOP WATERING

During watering, press the setting button for 3 seconds, the water timer will stop with a red light on "OFF".

### MANUAL WATERING

Press setting button continuously, the LED light will move clockwise to "MANUAL" light, wait for 4 seconds, the watering will start.

